

## FEATURES & BENEFITS

### CONSTRUCTION

Rugged ADA accessible 18-gauge Type 304 Stainless Steel with satin finish bowls, 14 gauge Type 304 Stainless Steel bottle filler that resists stains and corrosion, soft rounded corners, stainless steel satin-finish back panels, vandal resistant bottom plate, and 1-1/4" integral trap.

### BOTTLE FILLER

Vandal-resistant, 14-gauge Type 304 stainless steel bottle filler housing with touchless operation and 1 gpm (3.78L) laminar flow.

### VANDAL RESISTANT

The bubbler heads, push button, sensors, drain strainers and bottom plates are locked in place, discouraging unwanted vandal tampering, and 30-second obstruction time-out to reduce tampering of the sensors.

### BUBBLER HEADS

Polished chrome-plated brass bubbler heads with integral 11/16" dia. basin shank and stainless anti-rotation roll pin for vandal resistance strength. Shielded, angled stream opening provides a steady, sanitary source of drinking water at .45 gpm.

### FOUNTAIN VALVES

Fountain and bottle filler incorporates touchless sensor operated stainless steel solenoid valves controlled by a transformer for handsfree operation. A pressure regulator is used to adjust the bubbler flow according to incoming water pressures.

### MOUNTING

Heavy-duty 16 gauge galvanized steel mounting frame with welded-in heavy-duty 10 gauge mounting plate with pre-punched mounting holes provides the sturdy hidden support needed for the Hi-Lo configuration of this unit. Further convenience is given to the chiller with the integral fold-out shelf.

## OPTIONS

- Mounting Plate: Model 6700, in-wall mounting plate for model 1920.
- Mounting Plate: Model 6700R, on-wall mounting plate for model 1920.
- Water Filter: Model 6426, 10" x 2" (25.4 x 5.1 cm), in-line lead removal element that reduces lead from incoming water supply.
- Custom Logo Panel: Model 6475, Hydration By Haws<sup>®</sup> logo panel with customization options.

For more information, visit [www.hawsc.com](http://www.hawsc.com) or call (888) 640-4297.



## REQUIRED MODELS

### H1119.8HO / MTGFR.LG / HCR8 / 6469 / 1920HO / BP32

Order these items to make up the Model H1119.8HO-1920HO fountain with stainless steel back panel and grille, bottle filler with stainless steel back plate, and remote chiller shown above.

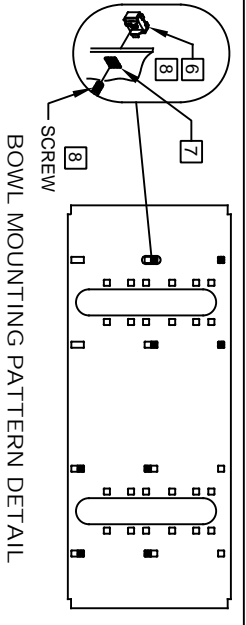
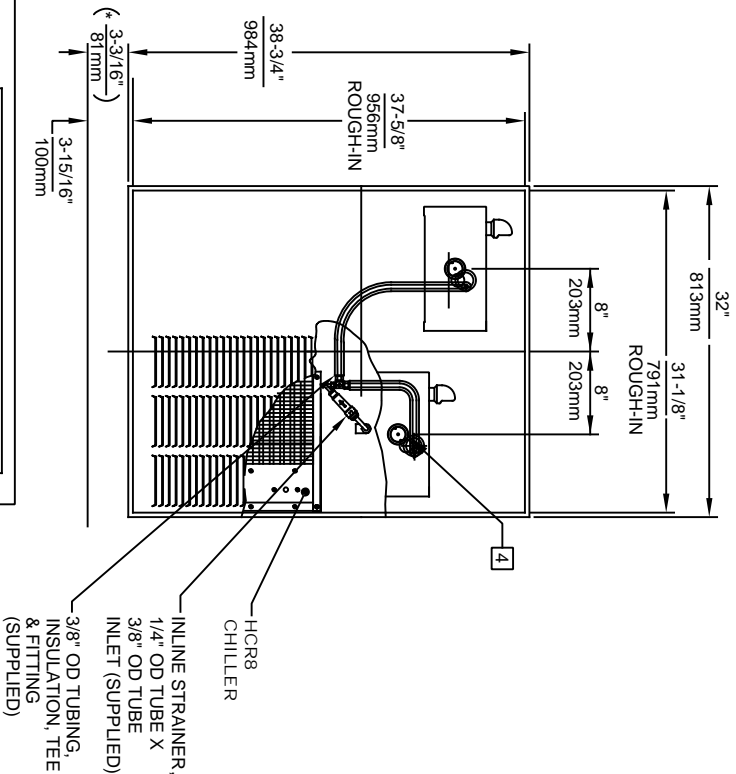
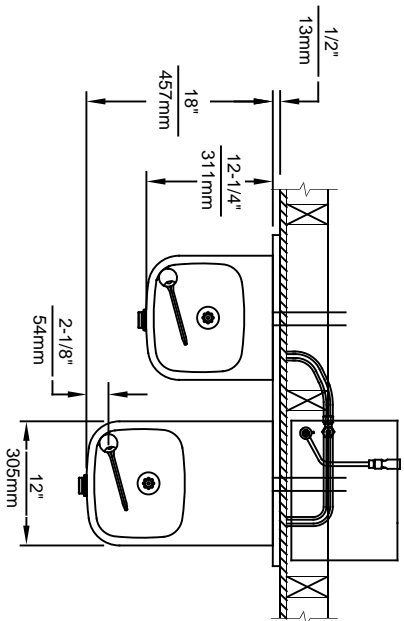
### FOR INDOOR USE ONLY

## SPECIFICATIONS

Model H1119.8HO-1920HO vandal-resistant wall-mounted ADA combination motion activated/push button water cooler and bottle filler shall include dual 18-gauge Type 304 Stainless Steel satin-finish basins, 14 gauge bottle filler bracket, touchless sensor operated solenoid valves with 30-second obstruction time-out on the bottle filler and on one side of the fountain, and push-button operated stainless steel valve with front-accessible cartridge and flow adjustment on the other, provide 100% lead free waterways, polished chrome-plated brass vandal-resistant bubbler heads, 1 gpm (3.78 L) laminar flow bottle filler, polished chrome-plated vandal-resistant waste strainers, vandal-resistant bottom plates, stainless steel satin-finish back panel and louvered intrusion-proof grill, high and low fountain mounting levels, and 1-1/4" NPT traps. The R-134a refrigeration system is hermetically sealed and delivers a minimum of 8 gph (30.3 L). 115 Volts, 60Hz, rated watts: 370, full load amps: 5. Haws electric water coolers comply with ARI Standard 1010 and ANSI A117.1, and are listed by Underwriter Laboratories to U.S. and Canadian standards. Manufactured to be lead-free by all known definitions including NSF/ ANSI/CAN 61-Section 9, NSF/ANSI/ CAN 372, California Proposition 65, and the Federal Safe Drinking Water Act. Product is compliant to California Health and Safety Code 116875 (AB 1953-2006), and NSF/ ANSI/CAN 61: Q ≤ 1.

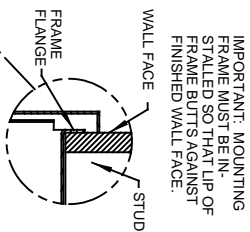
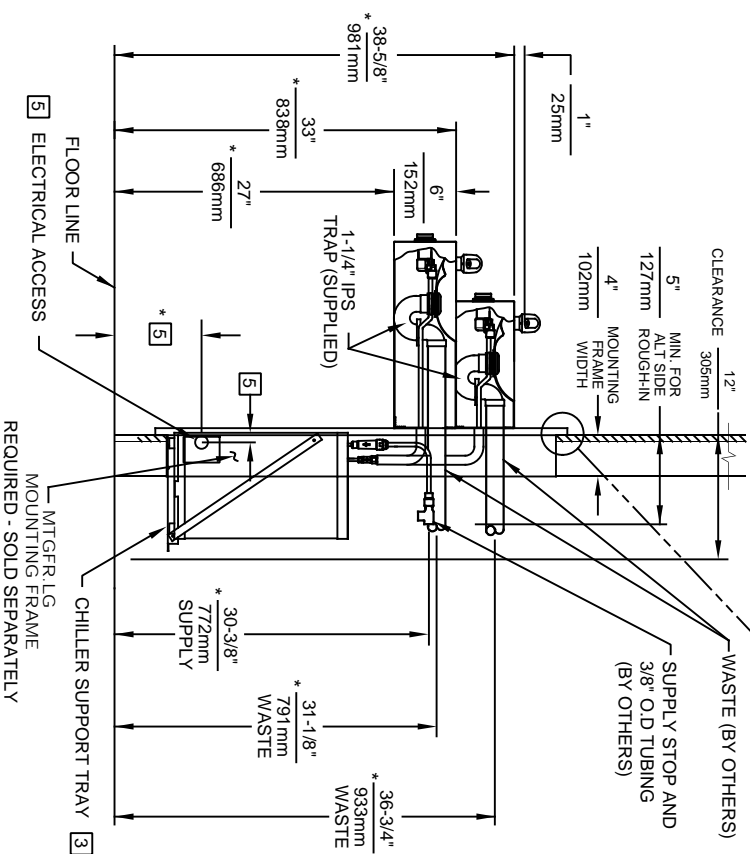
**The bottle filler requires a mounting plate; either the Haws model 6700 in-wall or the 6700R on-wall support plate.**





**NOTES:**

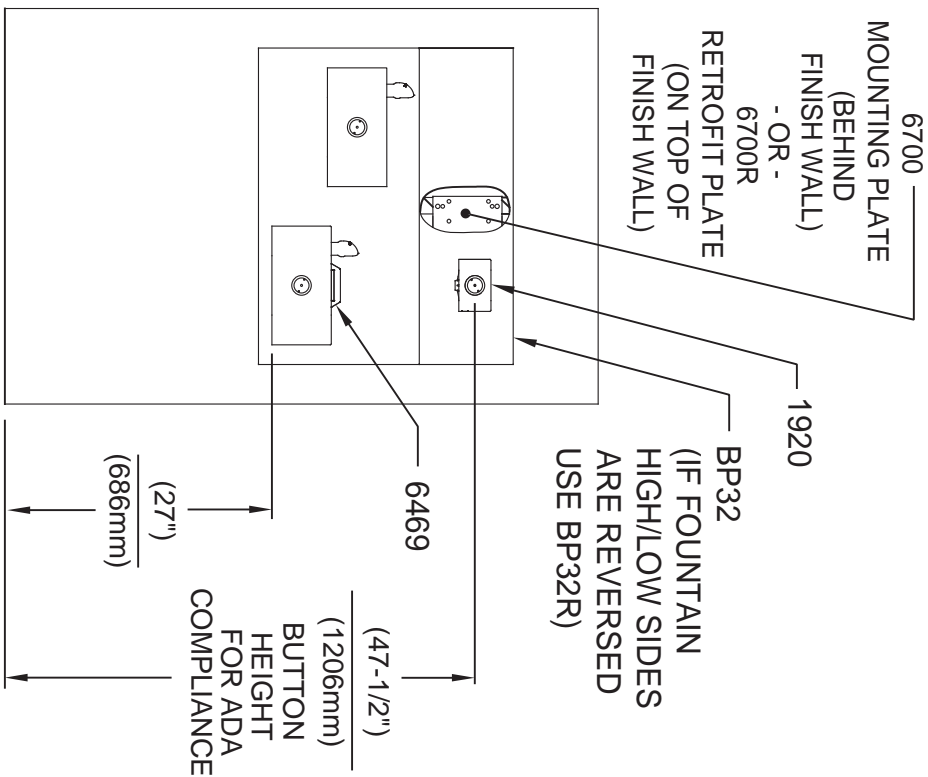
1. HOLD ROUGH-IN DIMENSIONS  $\pm 1/8"$  (3.2mm)
2. WHEN INSTALLING THIS UNIT, LOCAL, STATE OR FEDERAL CODES SHOULD BE ADHERED TO. FOR INSTALLATION HEIGHTS OTHER THAN SHOWN, DIMENSIONS MARKED (\*) MUST BE ADJUSTED ACCORDINGLY.
3. ALIGN HOLES IN CHILLER SUPPORT TRAY WITH HOLES IN FRAME AND FASTEN WITH #10 SHEET METAL SCREWS.
4. REFER TO 5874 SERIES OPERATION AND MAINTENANCE MANUAL FOR PUSH BUTTON AND VALVE INSTALLATION/MAINTENANCE INSTRUCTIONS.
5. REFER TO MTGFR LG INSTALLATION DRAWING FOR ROUGH-IN DIMENSIONS.
6. INSERT 5/16"-18 PANEL, INSERTS FROM OPPOSITE SIDE AT LOCATIONS SHOWN BY DARKENED HOLES. HOLE COMBINATIONS SHOWN ARE FOR USE WITH LOW FOUNTAIN ON THE RIGHT AND THE HI FOUNTAIN ON THE LEFT. USE OPPOSITE HOLES FOR HI ON RIGHT AND LOW ON LEFT.
7. HOLE COMBINATION SHOWN BELOW IS FOR USE WITH LOW FOUNTAIN ON THE RIGHT AND HIGH FOUNTAIN ON THE LEFT. USE OPPOSITE HOLES FOR HIGH ON RIGHT AND LOW ON LEFT.
8. TO CHANGE FOUNTAIN MTG. SCREW LOCATIONS: FIRST REMOVE SCREWS AND THEN SQUEEZE CLIPS ON NUT RETAINER TO POP OUT. SNAP INTO NEW POSITIONS AND RE-ASSEMBLE SCREWS.
9. IMPORTANT: ALL LOW (OPTIONAL) CONFIGURATION WILL REQUIRE DIMENSIONS SHOWN (\*) MUST BE REVERSED.



**Haws**

1456 KLEPPE LANE  
SPARKS, NEVADA 89431  
(775) 359-4712 FAX (775) 359-7424  
E-MAIL: HAWS@HAWS.CO.COM  
WEBSITE: WWW.HAWS.CO.COM

ECN NO. REVISED PER BY:	MODEL(S)	H1119.8
ECN: 5527	REV.:	
DATE: CHKD:	DATE: CHKD:	
F.VASQUEZ 09/31/98	DP	
APPROVED: DATE:	SCALE: 1:19	DRAWING TYPE:
FV	04/02/20	INSTALLATION
		SIZE: A
		SHEET 1 OF 1
		REVISION: 22
		PART NUMBER: 0002080262.D

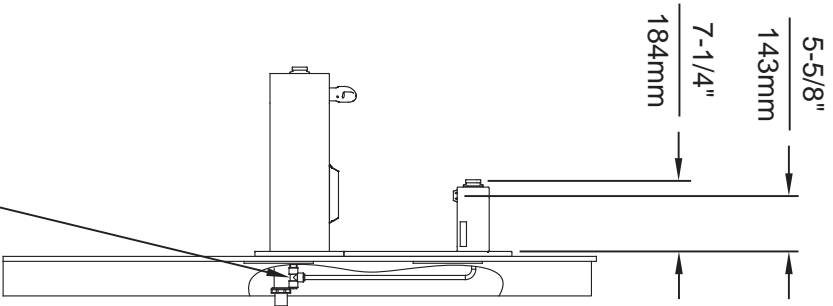
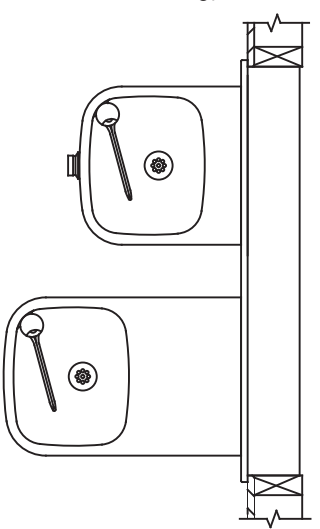


**INSTALLATION ABOVE HAWES 1119, 1119.14, H1119.8**

\* IF YOUR FOUNTAIN IS THIS STYLE USE THESE DIMENSIONS

1. SEE SEPARATE INSTALLATION DRAWINGS FOR MOUNTING PLATES, BACKPANELS & DRIP TRAY

2. WHEN INSTALLING THIS UNIT, LOCAL, STATE OR FEDERAL CODES SHOULD BE ADHERED TO FOR INSTALLATION LOCATIONS, WASTE & SUPPLY REQUIREMENTS OTHER THAN SHOWN.

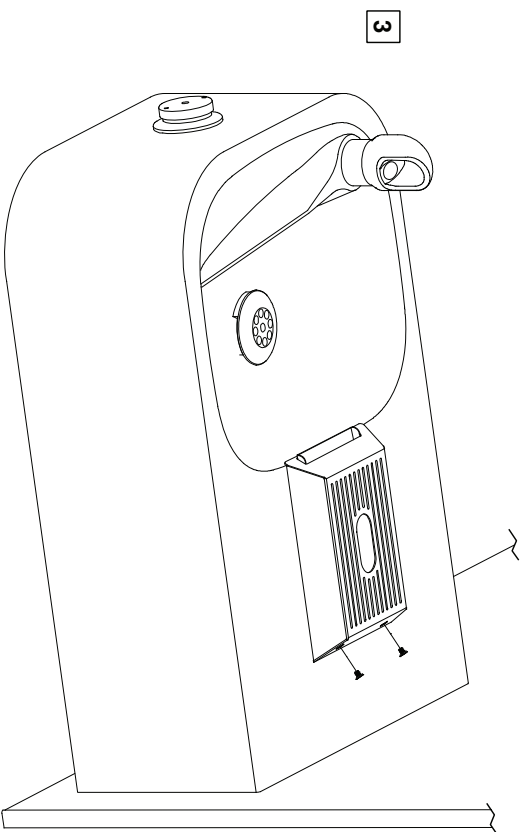
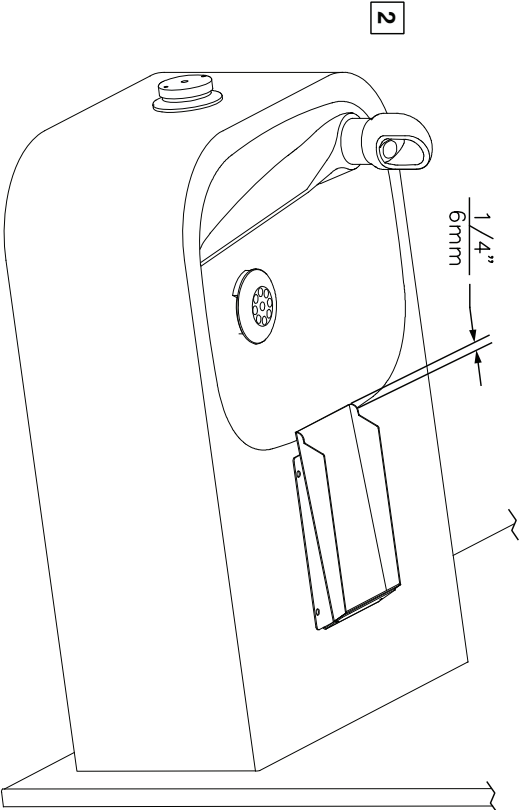
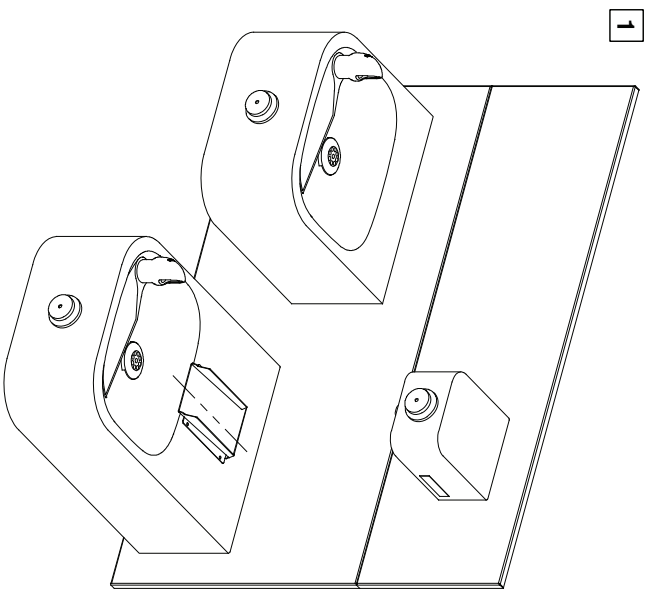


3/8" O.D. SUPPLY TUBING AND 3/8" O.D. PUSH-IN TEE SUPPLIED. (CONNECT TO FOUNTAIN SUPPLY LINE)

		<b>Haws</b>	
EQ. NO. REVISED PER BY:	MODEL(S)		
5031			
DATE: 01/17/17	DATE: 01/17/17		
APPROVED: F.V.	SCALE: N/A	DRAWING TYPE: INSTALLATION	SIZE: A
			SHEET 3 OF 6
1455 KLEPPE LANE SPARKS, NEVADA 89431 (775) 359-4712 FAX (775) 359-7424 E-MAIL: HAWS@HAWS.CO.COM WEBSITE: WWW.HAWS.CO.COM		PART NUMBER 051000490.D	REVISION 6

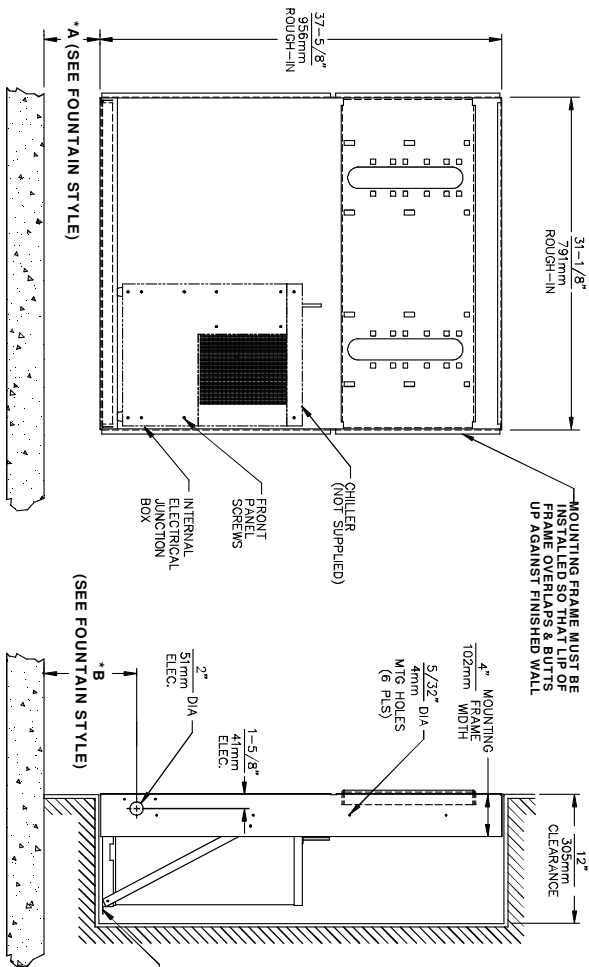
**6469 BOTTLE FILLER DRIP TRAY INSTALLATION**

1. THE 6469 BOTTLE FILLER DRIP TRAY ALLOWS THE INSTALLATION OF THE 1920 BOTTLE FILLER OVER HAWS 1109/1119 MODEL DRINKING FOUNTAINS. CENTER THE LOWER DRAIN PAN ALONG THE CENTERLINE OF THE FOUNTAIN.
2. EXTEND THE FRONT EDGE OF THE LOWER DRAIN PAN OVER THE EDGE OF THE FOUNTAIN BOWL BY APPROXIMATELY 1/4" (6mm). IT IS RECOMMENDED TO TEMPORARILY TAPE THE DRAIN PAN IN PLACE, INSTALL THE TOP COVER, AND ACTIVATE THE BOTTLE FILLER TO VERIFY THE WATER STREAM IS ALIGNED TO THE INLET HOLE. VERIFY THE LIP OF THE TOP COVER HANGS OVER THE EDGE OF THE FOUNTAIN BOWL.
3. MARK THE DRAIN PAN HOLE LOCATIONS ON THE FOUNTAIN. THE DRAIN PAN CAN NOW BE PERMANENTLY INSTALLED USING AN APPROPRIATE FASTENING METHOD (FASTENERS NOT SUPPLIED). FASTENING OPTIONS INCLUDE THRU BOLTS, RIVETS, TACK WELDS, AND DOUBLE-SIDED FOAM TAPE. INSTALL THE TOP COVER AND SECURE TO THE DRAIN PAN WITH THE SUPPLIED 4-40 FLATHEAD SCREWS.



		<b>Haws</b>		1465 KLEPPE LANE SPARKS, NEVADA 89831 (775) 359-4712 FAX (775) 359-7424 E-MAIL: HAWS@HAWS.CO.COM WEBSITE: WWW.HAWS.CO.COM	
ENGINEERED BY: J. M. HAWES	MODEL(S):	DRAWING, 6469 BOTTLE FILLER DRIP TRAY			
DRAWN BY: M. J. HAWES	DATE: 01/10/17	SCALE: 1:4	DRAWING TYPE: INSTALLATION	SIZE: A	SHEET 1 OF 1
APPROVED BY: F. V. HAWES	DATE: 01/10/17	SCALE: 1:4	DRAWING TYPE: INSTALLATION	SIZE: A	SHEET 1 OF 1
PART NUMBER: 091000657.D	REVISION: 1				

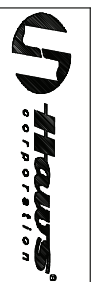
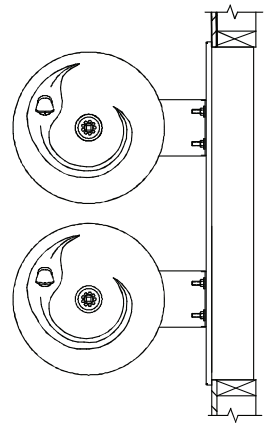
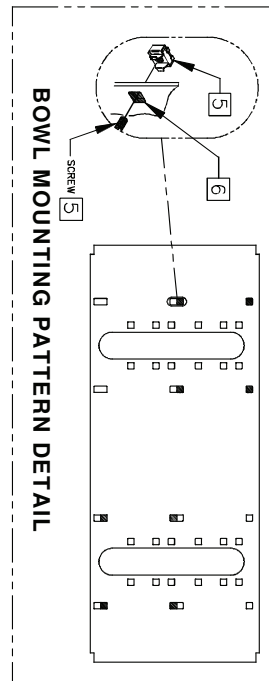
THIS DOCUMENT IS TRUE AND CORRECT AT TIME OF PUBLICATION. CONTINUED PRODUCT IMPROVEMENTS MAKE SPECIFICATIONS AND MEASUREMENTS SUBJECT TO CHANGE WITHOUT NOTICE.



- CHILLER ELECTRICAL INSTALLATION**
1. ENSURE ELECTRICAL POWER IS OFF AND POWER MATCHES VOLTAGE, PHASE AND CYCLE LISTED ON CHILLER LABEL.
  2. REMOVE FRONT PANEL TO GAIN ACCESS TO INTERNAL JUNCTION BOX.
  3. HARDWIRE CHILLER THROUGH ITS SIDE, IN ACCORDANCE WITH LOCAL, STATE OR FEDERAL CODES.
  4. REPLACE FRONT PANEL. DO NOT APPLY POWER UNTIL WATER SUPPLY IS CONNECTED AND ON.

**MOUNTING FRAME INSTALLATION**

1. THIS FRAME IS USED WITH SEVERAL DIFFERENT MODELS. SEE INSTALLATION INSTRUCTIONS RECEIVED WITH THE FOUNTAIN FOR PROPER LOCATIONS OF 5/16"-18 PANEL NUT RETAINERS. HEIGHTS ARE ALSO DETAILED ON THE FOUNTAIN INSTALLATION INSTRUCTIONS.
2. HOLD ROUGH-IN DIMENSIONS ±1/8" (3.2mm).
3. WHEN INSTALLING THIS UNIT LOCAL, STATE OR FEDERAL CODES SHOULD BE ADHERED TO. FOR DIFFERENT INSTALLATION HEIGHTS, OTHER THAN SHOWN, DIMENSIONS MARKED (\*) MUST BE ADJUSTED ACCORDINGLY.
4. ALIGN HOLES IN CHILLER SUPPORT TRAY WITH HOLES IN FRAME AND FASTEN IN PLACE WITH #10 SHEET-METAL SCREWS SUPPLIED WITH UNIT.
5. FOUNTAIN REMOVAL: FIRST REMOVE SCREWS AND THEN SQUEEZE CLIPS ON NUT RETAINER TO POP OUT. INSTALL IS REVERSE OF REMOVAL.
6. HOLE COMBINATION SHOWN ABOVE IS FOR USE WITH LOW FOUNTAIN ON THE RIGHT AND HIGH FOUNTAIN ON THE LEFT. USE OPPOSITE HOLES FOR HIGH ON RIGHT AND LOW ON LEFT.
7. IMPORTANT: A L.H. LOW (OPTIONAL) CONFIGURATION WILL REQUIRE A DIFFERENT BACK PANEL AND THE WASTE AND SUPPLY DIMENSIONS SHOWN (\*) MUST BE REVERSED.



INFO FAX : 1-888-FAX-HAWS (1-888-329-4297)  
 1455 Kieppe Ln, Sparks NV, 89431  
 Phone: 775-359-0112 Fax: 775-359-7424  
 Haws Mtg. File Loc 79 Sunder Kooli, Boulder, Colorado, 80526  
 e-mail: Haws@hawsco.com website: www.hawsco.com

ESK NO.	REVISED PER	BY	DATE	MODEL(S)
D. ZHOU	10/9/97	WVC		MTGFR.LG MOUNTING FRAME DUAL
APPROVED:	SCALE:	1:16	DRAWING TYPE:	INSTALLATION/BACKPACK
PART NUMBER:	0002080318			
REV:	1			

©2006 Haws Corporation - All Rights Reserved HAWS® and other trademarks used in these materials are the exclusive property of Haws Corporation.

Doc. No. 06665A00

# Installation Instructions

## HCR8 Refrigeration Packages

**NOTICE:** This water cooler must be connected to the water supply using a dielectric coupling.

**IMPORTANT! INSTALLER PLEASE NOTE.**

The grounding of electrical equipment such as telephone, computers, etc., to water lines is a common procedure. This grounding may be in the building, or may occur away from the building. This grounding can cause electrical feedback into a water chiller, creating an electrolysis which causes a metallic taste or an increase in the metal content of the water. This condition is avoidable by using the proper materials indicated below.

**INSTALLATION**

1. When mounting unit in an open area, to insure proper ventilation, maintain a 4" (102mm) clearance from cabinet louvers on each side of cooler. When mounting unit in a cavity or behind a wall maintain minimum space of 4" (102mm) on each side, 4" (102mm) on the top and a depth of 12" (305mm).
2. Water inlet is 1/4" (6 mm) O.D. tube. Contractor to supply the connections as required.
3. Connecting lines to be of unplated copper, thoroughly flushed to remove all foreign matter before being connected to cooler. If flushing does not remove all particles, a water strainer should be installed in supply line. This cooler is manufactured in such a manner that it does not in any way cause taste, odor, color or sediment problems.
4. Connect cooler to building supply line with a shut-off valve and install the in-line strainer between the valve and cooler.
5. Electrical: Make sure power supply is identical in voltage, cycle, and phase to that specified on cooler serial plate. Never wire compressor directly to the power supply.
6. This chiller has been designed for use with potable water **ONLY**.

**START-UP**

1. Open supply line valve.
2. Purge air from all water lines by operating bubbler valve of fountain to which cooler is connected. Steady stream assures all air is removed.
3. Rotate fan to insure proper clearance and free fan action.
4. Connect to electrical power.

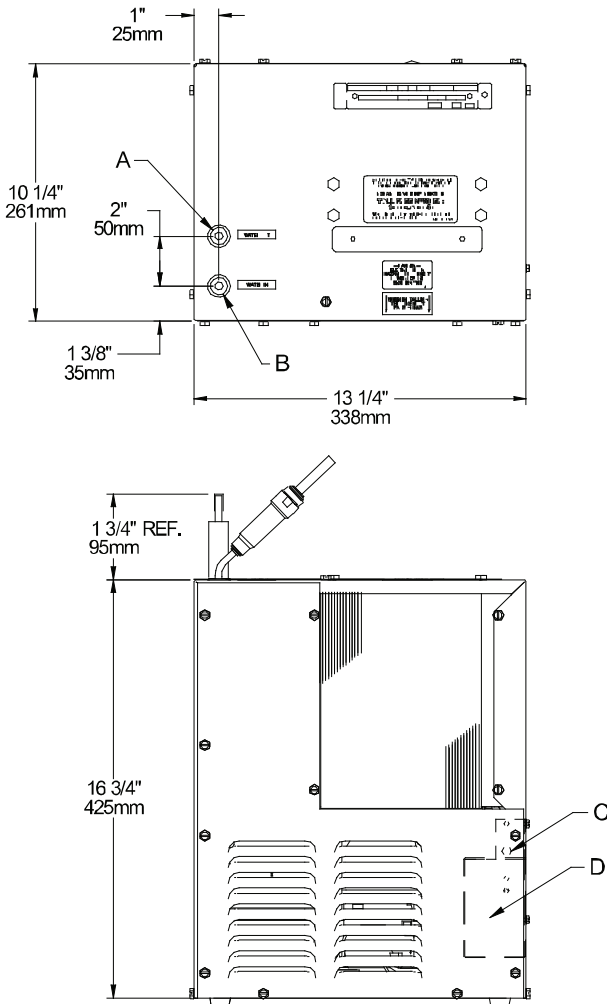
**TROUBLE SHOOTING & MAINTENANCE**

**Temperature Control:** Factory set at 50°F (± 5°) under normal conditions. For colder water, adjust screw on item no. 9 in clockwise direction.

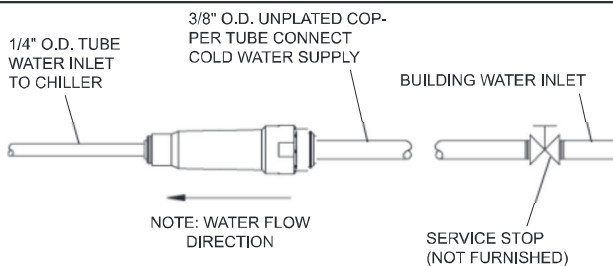
**Ventilation:** Cabinet louvers and condenser fins should be periodically cleaned with brush, air hose or vacuum cleaner. Excess dirt or poor ventilation can cause no cold water and compressor cycling on the compressor overload protector.

**Lubrication:** Motors are lifetime lubricated.

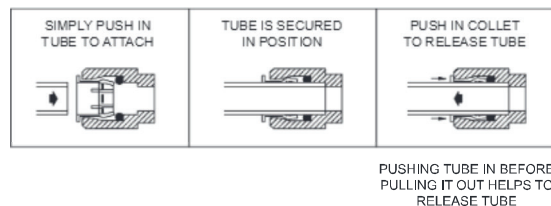
**Actuation of Quick Connect Water Fittings:** Cooler is provided with lead-free connectors which utilize an o-ring seal. To remove tubing from the fittings, relieve water pressure, push in on gray collar while pulling on the tubing. To insert tubing, push tube straight into fitting until it reaches a positive stop, approximately 3/4".

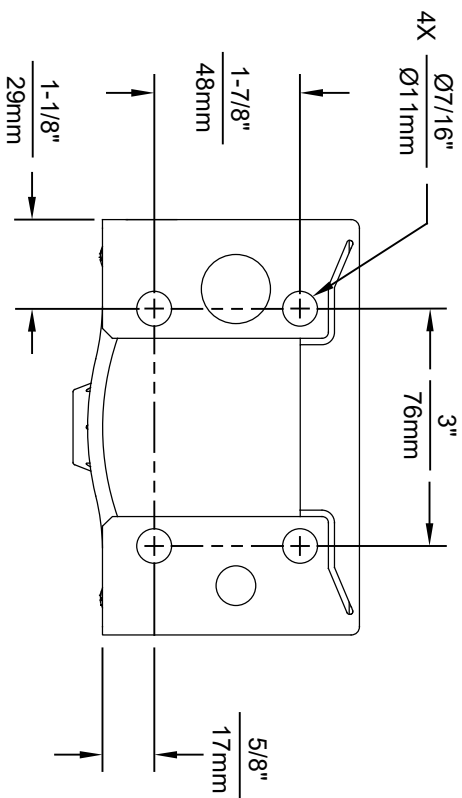
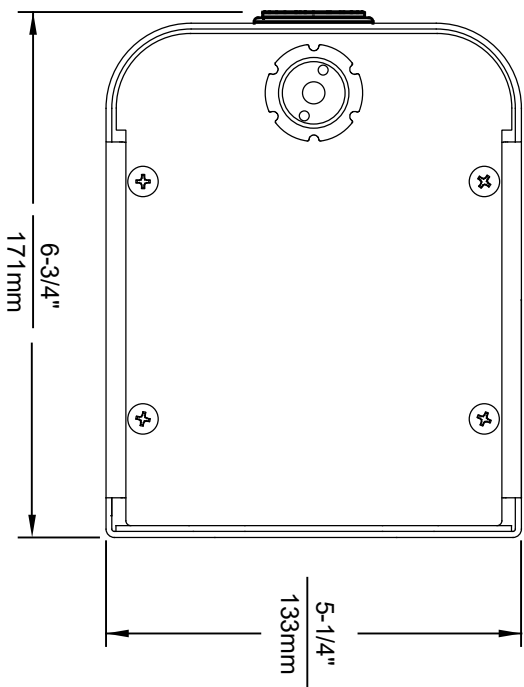
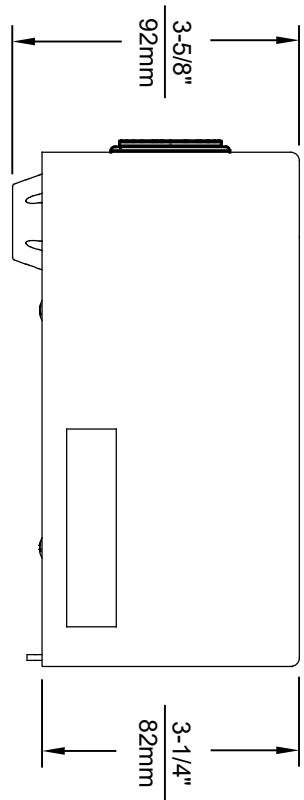


**LEGEND**  
 A = 1/4" O.D. TUBE WATER OUTLET    C = TEMPERATURE ADJUSTMENT  
 B = 1/4" O.D. TUBE WATER INLET    D = ELECTRICAL

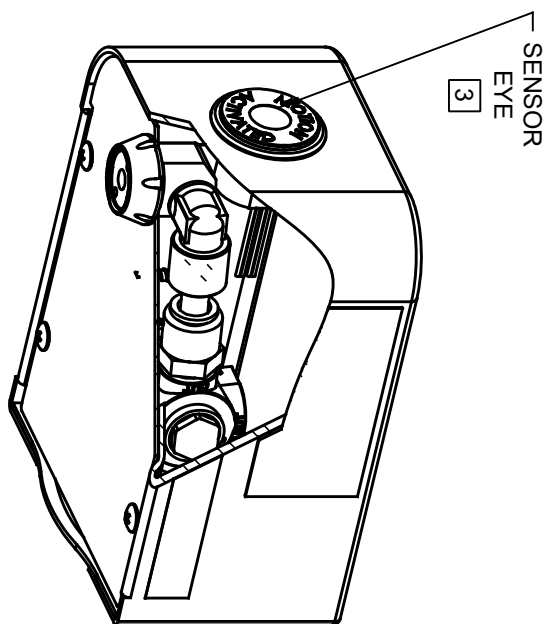


**OPERATION OF QUICK CONNECT FITTINGS**





1920HO SERIES MOUNTING HOLE LOCATIONS  
(3/8" - 16 UNC MOUNTING HARDWARE NOT SUPPLIED)



NOTES:

1. SEE SEPARATE INSTALLATION DRAWINGS FOR MOUNTING PLATES AND BACKPANELS
2. WHEN INSTALLING THIS UNIT, LOCAL, STATE OR FEDERAL CODES SHOULD BE ADHERED TO FOR INSTALLATION LOCATIONS, WASTE AND SUPPLY REQUIREMENTS OTHER THAN SHOWN.
3. REFER TO 1RKHO.H OPERATION & MAINTENANCE INSTRUCTIONS FOR SENSOR SETUP.



1455 KLEPPE LANE  
SPARKS, NEVADA 89431  
(775) 359-4712 FAX (775) 359-7424  
E-MAIL: HAWS@HAWS.CO.COM  
WEBSITE: WWW.HAWS.CO.COM

EQ. NO.	REVISED PER BY	MODEL(S)	PART NUMBER
5274	EQ. 5681 B.M.	1920HO/1920HPSHO/1920WHO	0510001063.D
DRAWN BY	DATE	SCALE	REVISION
B.M.	05/19/21	N/A	4
APPROVED	DATE	DRAWING TYPE	SHEET 1 OF 6
B.M.	05/19/21	INSTALLATION	