



# Haws®

# model H1117LN.8HO2-1920HO

ADA Vandal-Resistant Low Profile Chilled Motion-Activated Fountain w/Bottle Filler

## FEATURES & BENEFITS

### ADA COMPLIANCE

ADA-compliant bottle filling station and dual-height high low drinking fountain required for wheel chair use, and for the standing person.

### CONSTRUCTION

One-piece drinking fountains with low-profile design made of 14 gauge Type 304 stainless steel with 1/4" (.6 cm) thick stainless back plates welded in, and vandal-resistant stainless bottom plates.

### MOUNTING

Heavy-duty 16-gauge galvanized steel mounting frame with welded-in heavy-duty 10 gauge mounting plate with pre-punched mounting holes provides the sturdy hidden support needed for the Hi-Lo configuration of this unit. Further convenience is given to the chiller with the integral fold-out shelf.

### BUBBLER HEADS

Polished chrome-plated brass bubbler head with integral 11/16" dia. basin shank and stainless anti-rotation roll pin for vandal resistance strength. Shielded, angled stream opening provides a steady, sanitary source of drinking water at .45 gpm.

### FOUNTAIN VALVES

Fountain incorporates touchless sensor operated stainless steel solenoid valves controlled by a transformer for hands free operation. A pressure regulator is used to adjust the bubbler flow according to incoming water pressures.

### BOTTLE FILLER

Vandal-resistant, 14-gauge Type 304 stainless steel bottle filler housing with touchless operation and 1 gpm (3.78 L) laminar flow.

### VANDAL-RESISTANT

The bubbler heads, drain strainers and bottom plates are locked in place, discouraging unwanted vandal tampering.

## OPTIONS

Mounting Plate: Model 6700, in-wall mounting plate for model 1920.

Mounting Plate: Model 6700R, on-wall mounting plate for model 1920.

Water Filter: Model 6426, 12" x 2" (30.5 x 5.1 cm), in-line lead removal element that reduces lead from incoming water supply.

Bottle Filler Stand: Model BTL1107, add-on stainless steel stand to place bottle on when 1920 bottle filler is used.



## REQUIRED MODELS

### H1117LN.8HO2 / HCR8 / MTGFR.LG / 1920HO / BP32

Order these items to make up the Model H1117LN.8HO2-1920HO fountain with stainless steel back panel, bottle filler with stainless steel back plate, and fountain mounting frame shown above.

## FOR INDOOR USE ONLY

## SPECIFICATIONS

Model H1117LN.8HO2-1920HO electric vandal-resistant motion activated wall mounted ADA water cooler and bottle filler shall include dual 14 gauge Type 304 Stainless Steel satin finish basins, touchless sensor operated stainless steel solenoid valves with 30-second obstruction time-out controlled by a transformer, in-line strainer and flow adjustment, 100% lead-free waterways, 1 gpm (3.78L) laminar flow bottle filler, polished chrome-plated vandal-resistant bubbler heads, and polished chrome-plated vandal-resistant waste strainers. Unit shall also include vandal-resistant stainless bottom plates, stainless steel satin finish back panel and louvered intrusion-proof grille, high and low fountain mounting levels, and 1-1/4" NPT concealed all cast-brass traps. The patented design allows the unit to be mounted to meet ADA or Child ADA specifications. The R-134a refrigeration system is hermetically sealed and delivers a minimum of 8 gph (30.3 L) of water at 50° F (10° C) cooled from 80° F (26.7° C) inlet water at 90° F (32.2° C) ambient. 115 Volts, 60Hz, rated watts: 370, full load amps: 5 Manufactured to be lead-free by all known definitions including NSF/ ANSI/CAN 61-Section 9, NSF/ ANSI/ CAN 372, California Proposition 65, and the Federal Safe Drinking Water Act. Product is compliant to California Health and Safety Code 116875 (AB 1953-2006), and NSF/ ANSI/CAN 61: Q ≤ 1.



**NOTES:**

1. HOLD ROUGH-IN DIMENSIONS  $\pm 1/8"$  (3.2mm)
2. WHEN INSTALLING THIS UNIT, LOCAL, STATE, OR FEDERAL CODES SHOULD BE ADHERED TO. FOR INSTALLATION HEIGHTS OTHER THAN SHOWN, DIMENSIONS MARKED ( \* ) MUST BE ADJUSTED ACCORDINGLY.
3. REFER TO MTGFR.17 INSTALLATION DRAWING FOR FRAME ROUGH-IN DIMENSIONS.
4. REFER TO 5874 SERIES OPERATION AND MAINTENANCE MANUAL FOR PUSH BUTTON AND VALVE INSTALLATION/MAINTENANCE INSTRUCTIONS.
5. ROUGH-IN DIMENSIONS FOR FOUNTAIN HEIGHTS:

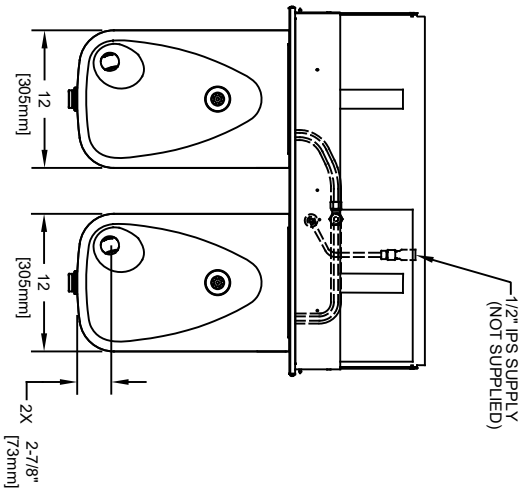
ADULT WHEELCHAIR HEIGHT: SEE SHEET 2 FIG 2

WASTE: 29-1/4" (743mm)  
FOUNTAIN: 27" (686mm)  
BUBBLER: 32-7/8" (832mm)

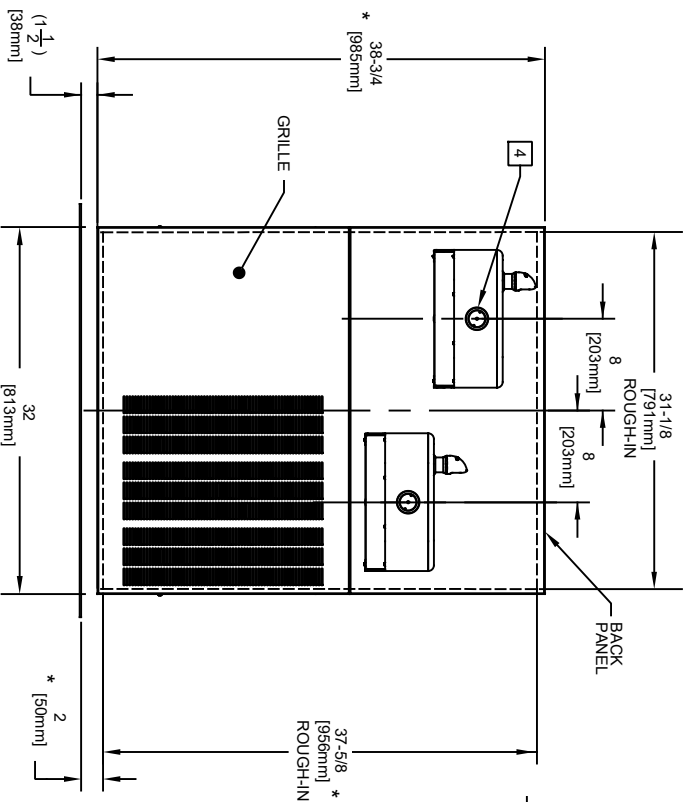
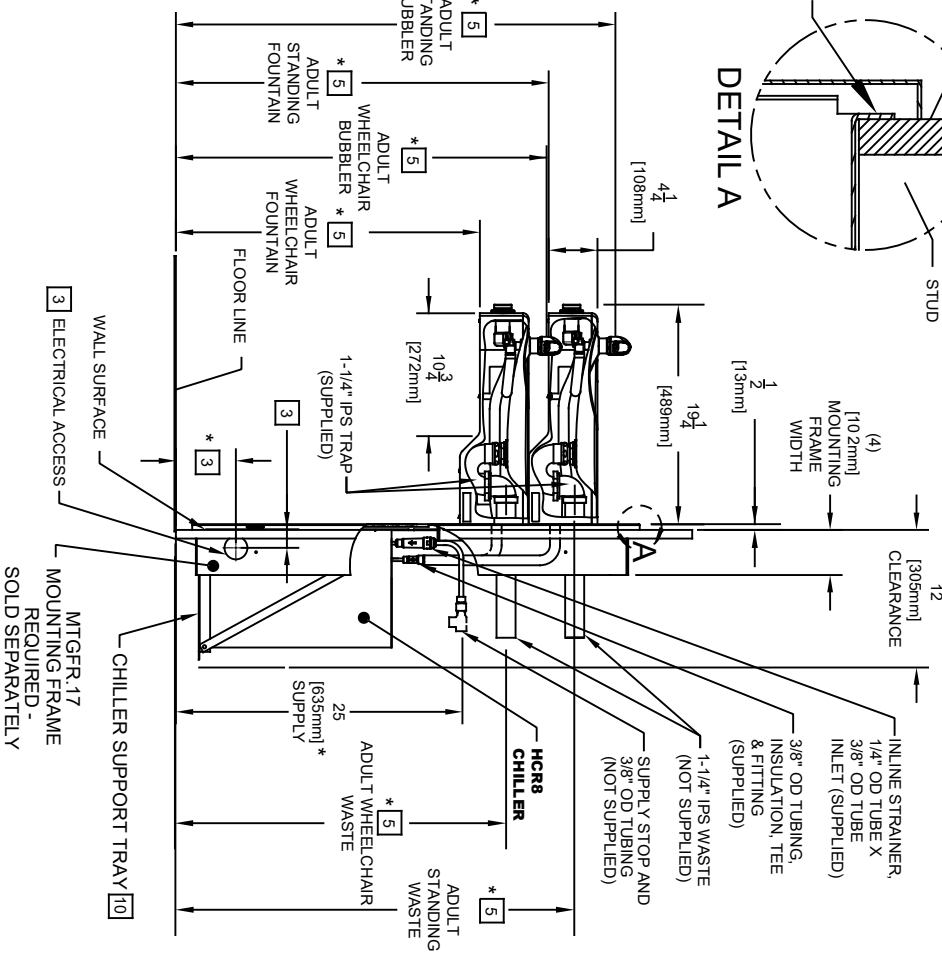
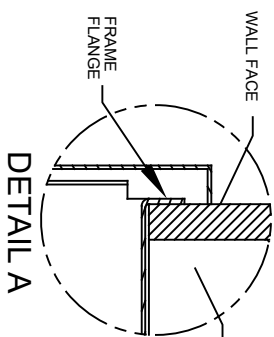
ADULT STANDING HEIGHT: SEE SHEET 2 FIG 3

WASTE: 34-3/4" (883mm)  
FOUNTAIN: 32-1/2" (826mm)  
BUBBLER: 39-3/8" (972mm)

NOTES CONTINUED ON SHEET 2 OF 2



**IMPORTANT: MOUNTING FRAME MUST BE INSTALLED SO THAT LIP OF FRAME SITS AGAINST FINISHED WALL FACE.**

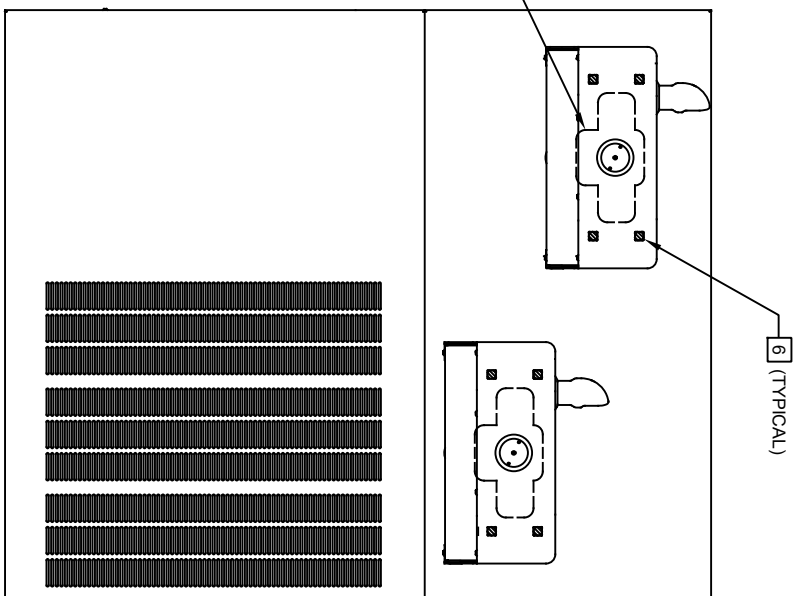


		<b>MODEL(S)</b>	
1456 KLEPPE LANE SPARKS, NEVADA, 89431 (775) 359-4712 FAX (775) 359-7424 E-MAIL: HAWWS@HAWSCO.COM WEBSITE: WWW.HAWSCO.COM		H11177LN 8	
ECN NO. REVISED PER BY:	DP	DATE:	SCALE: N/A
5871	DP	03/24/21	DRAWING TYPE:
DATE:	CHKD:	DATE:	INSTALLATION:
03/24/21	FV	06/21/21	SIZE: A
APPROVED:	DP	SCALE:	SHEET 1 OF 2
DP	DP	N/A	2
PART NUMBER		REVISION	
0510001192.D			

NOTES:

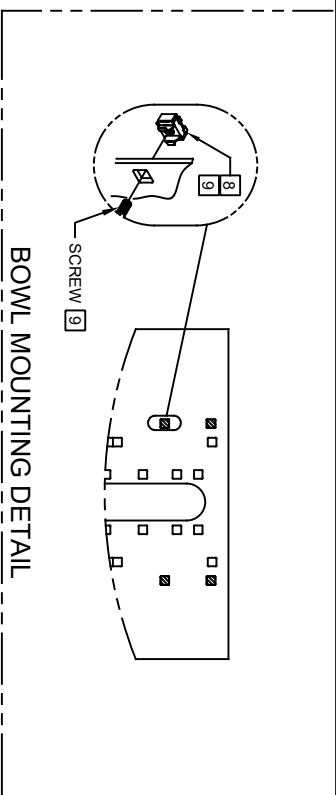
- [6] USE SHADED HOLES TO MOUNT BOWLS AT INDICATED POSITIONS.
- 7. REFER TO SHEET 1 OF 2 NOTE 5, FOR INSTALLED FOUNTAIN DIMENSIONS.
- [8] INSERT 5/16"-18 PANEL NUT RETAINERS FROM OPPOSITE SIDE AT LOCATIONS INDICATED (SHOWN BY DARKENED HOLES). USE THE UPPER OUTERMOST HOLES ON THE LEFT AND LOWER OUTERMOST HOLES ON THE RIGHT.
- [9] TO INSERT OR REMOVE NUT RETAINERS: SNAP NUT RETAINERS INTO INDICATED LOCATIONS. IF REMOVAL IS REQUIRED, FIRST REMOVE SCREWS AND THEN SQUEEZE CLIPS ON NUT RETAINER TO POP OUT.
- [10] ALIGN HOLES IN CHILLER SUPPORT TRAY WITH HOLES IN FRAME AND FASTEN WITH #10 SHEETMETAL SCREWS (SEE SHEET 1).

NOTE: BACK PANEL MUST BE INSTALLED WITH THESE CUT-OUTS ORIENTED AS SHOWN.

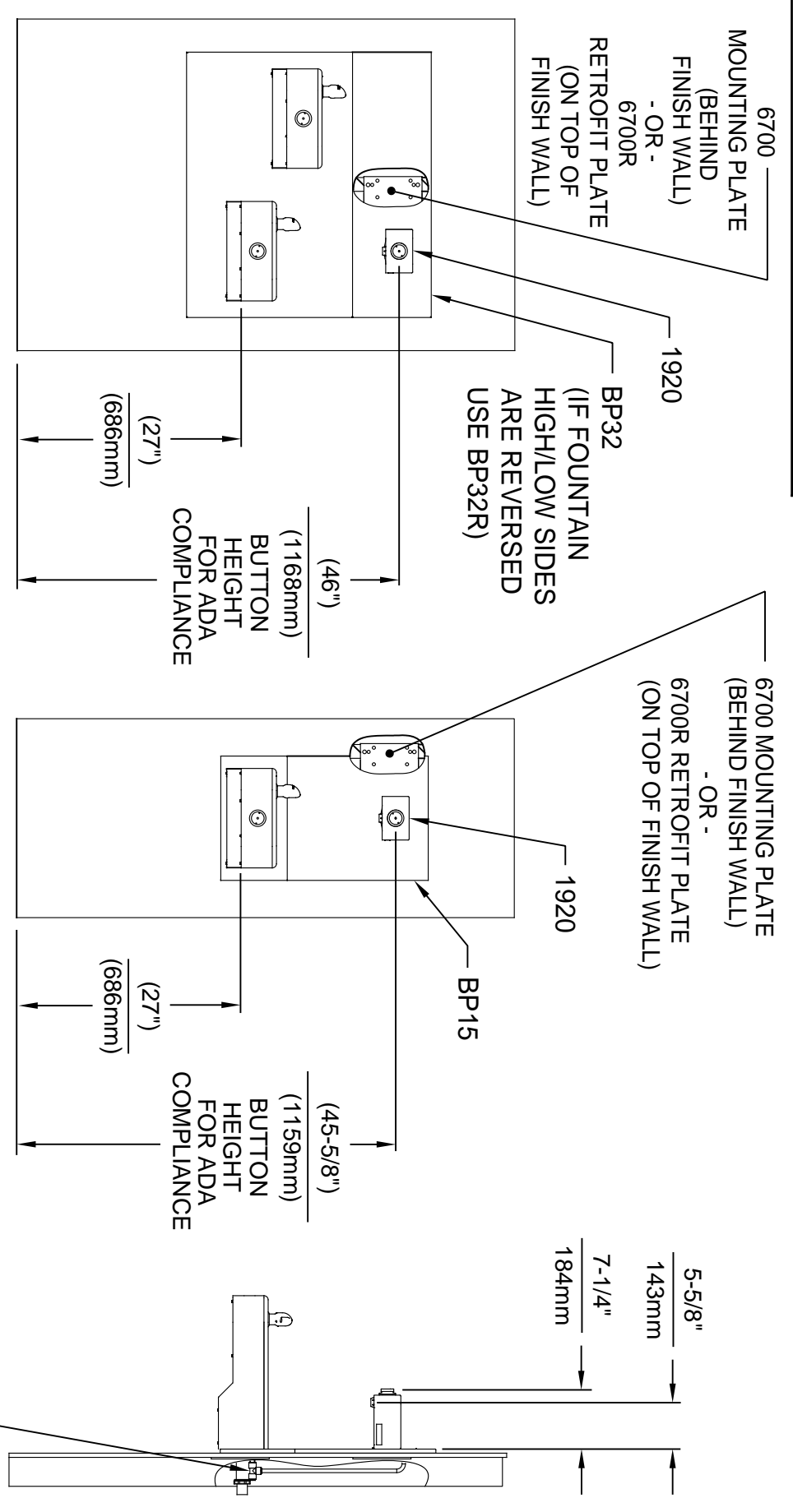


ADULT STANDING / ADULT WHEELCHAIR

# BOWL MOUNTING LOCATIONS



		<b>MODEL(S)</b>		H11177LN 8	
ECN NO. REVISED PER BY:	DP	DATE:	CHK'D:	SCALE:	DRAWING TYPE:
5871	DP	03/24/21	FV	N/A	INSTALLATION
1459 KLEPPE LANE		SPARKS, NEVADA, 89431		SIZE: A	
(775) 359-4712		FAX (775) 359-7424		SHEET 2 OF 2	
E-MAIL: HAWS@HAWS.CO.COM		WEBSITE: WWW.HAWS.CO.COM		PART NUMBER	
0510001192.D		REVISION		2	




**INSTALLATION ABOVE HAWS 11117L, H11117.8, H1117LN.8**

**INSTALLATION ABOVE HAWS 1107L, H1107.8**

3/8" O.D. SUPPLY TUBING AND 3/8" O.D. PUSH-IN TEE SUPPLIED. (CONNECT TO FOUNTAIN SUPPLY LINE)

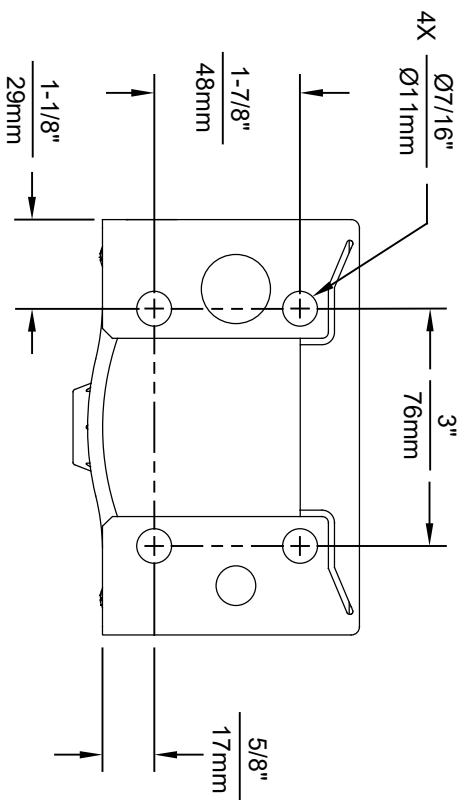
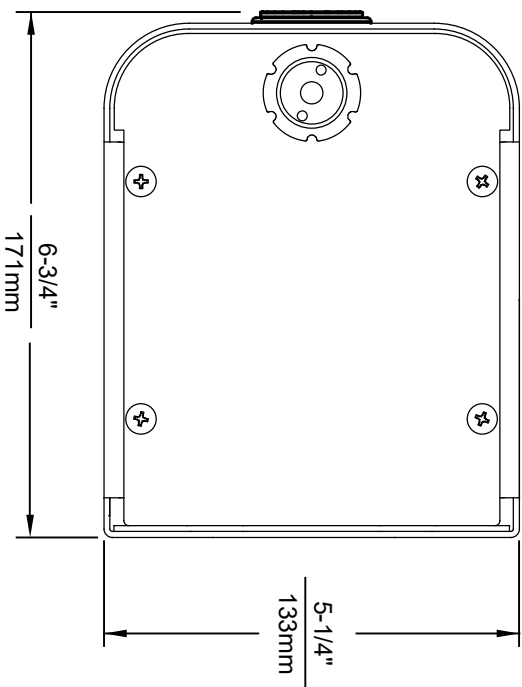
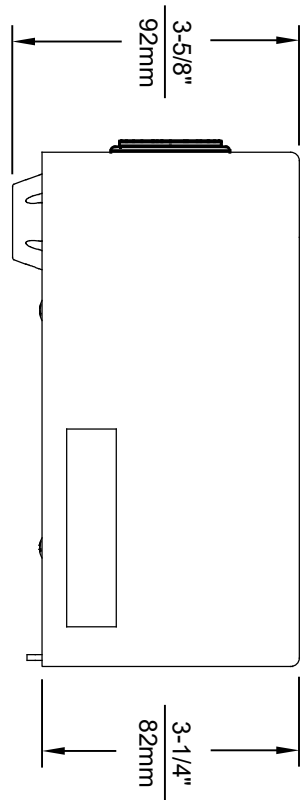
- \* IF YOUR FOUNTAIN IS THIS STYLE USE THESE DIMENSIONS
- SEE SEPARATE INSTALLATION DRAWINGS FOR MOUNTING PLATES AND BACKPANELS
  - WHEN INSTALLING THIS UNIT, LOCAL, STATE OR FEDERAL CODES SHOULD BE ADHERED TO FOR INSTALLATION LOCATIONS, WASTE & SUPPLY REQUIREMENTS OTHER THAN SHOWN.



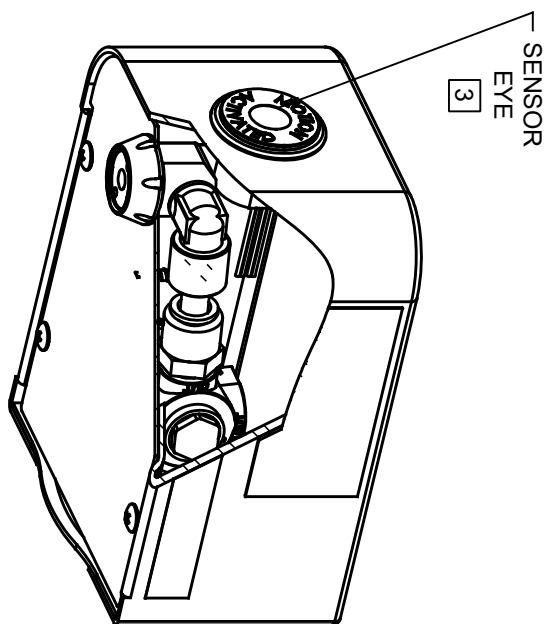
**Haws**

1456 KLEPPE LANE  
SPARKS, NEVADA, 89431  
(775) 359-4712 FAX (775) 359-7424  
E-MAIL: HAWS@HAWSCO.COM  
WEBSITE: WWW.HAWSCO.COM

ECN NO. REVISED PER BY:	MODEL(S)
5081 ECN: 5563 EV	1920/1920HPS/1920W
DATE: 01/20/17	
CHKD: SLS	
APPROVED: EV	SCALE: N/A DRAWING TYPE: INSTALLATION
DATE: 08/13/20	SIZE: A SHEET 4 OF 6
	REVISION: 7
	PART NUMBER: 0510000490.D

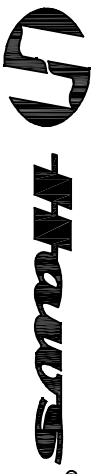


1920HO SERIES MOUNTING HOLE LOCATIONS  
(3/8\" - 16 UNC MOUNTING HARDWARE NOT SUPPLIED)



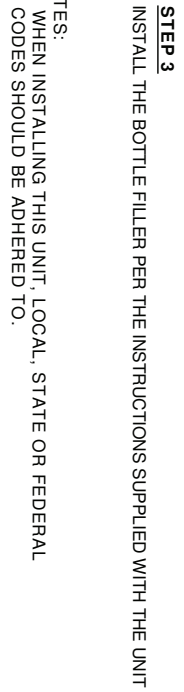
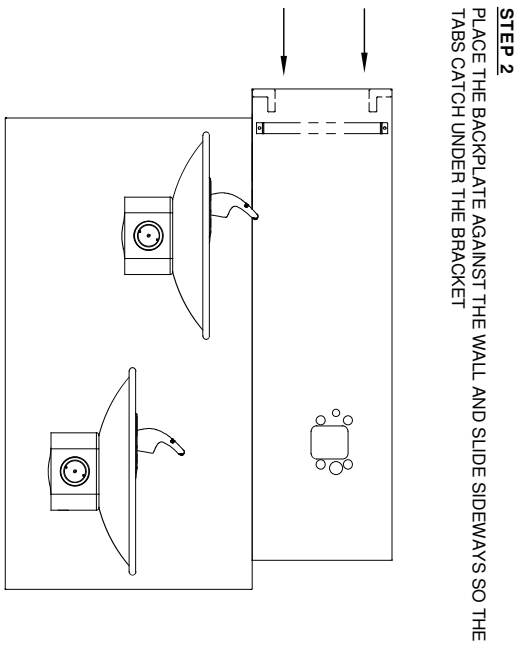
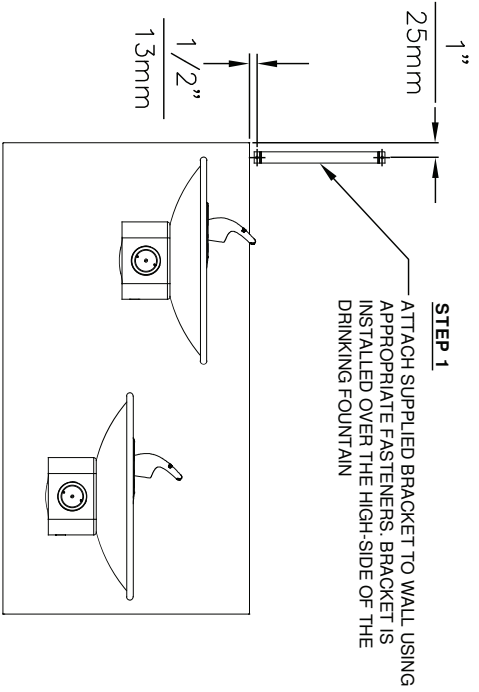
NOTES:

1. SEE SEPARATE INSTALLATION DRAWINGS FOR MOUNTING PLATES AND BACKPANELS
2. WHEN INSTALLING THIS UNIT, LOCAL, STATE OR FEDERAL CODES SHOULD BE ADHERED TO FOR INSTALLATION LOCATIONS, WASTE AND SUPPLY REQUIREMENTS OTHER THAN SHOWN.
- 3 REFER TO 1RKHO.H OPERATION & MAINTENANCE INSTRUCTIONS FOR SENSOR SETUP.



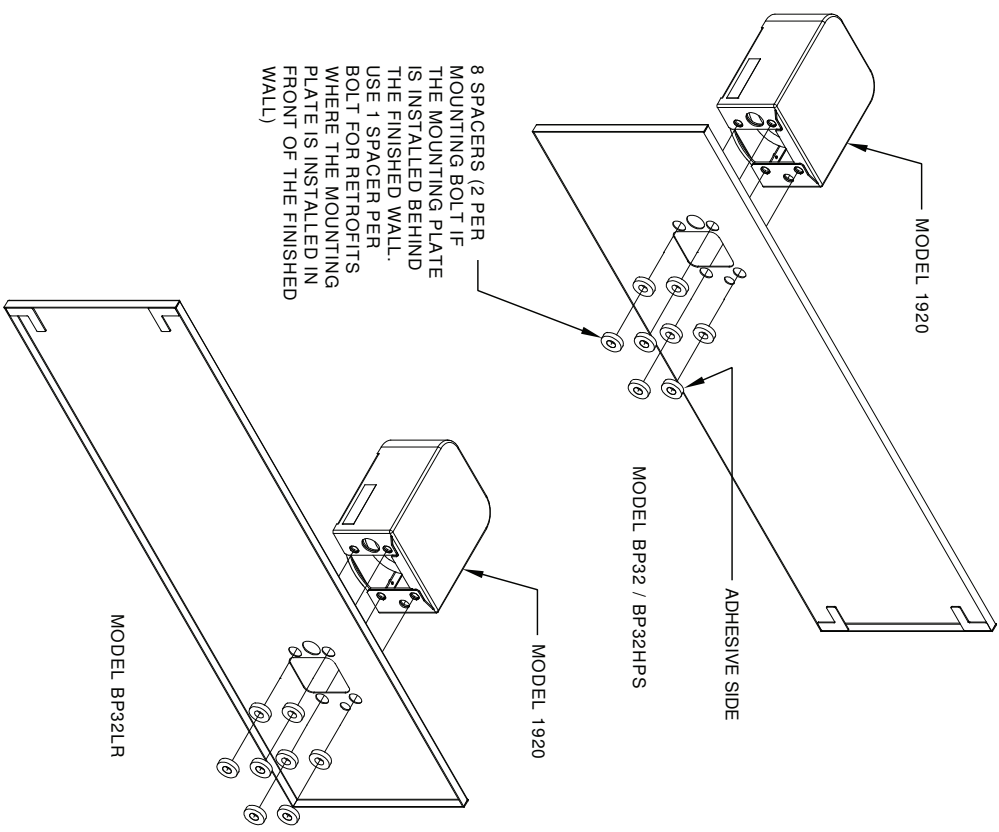
1455 KLEPPE LANE  
SPARKS, NEVADA 89431  
(775) 359-4712 FAX (775) 359-7424  
E-MAIL: HAWS@HAWS.CO.COM  
WEBSITE: WWW.HAWS.CO.COM

EQ. NO. REVISION	PER. BY	DATE	SCALE	INSTALLATION	SIZE	SHEET
0510001063.D	B.M.	05/19/21	N/A		A	1 OF 6
REV. NO.	DATE	BY	SCALE	INSTALLATION	SIZE	SHEET
4	05/19/21	B.M.	N/A		A	1 OF 6



NOTES:  
1. WHEN INSTALLING THIS UNIT, LOCAL, STATE OR FEDERAL CODES SHOULD BE ADHERED TO.

©2017 Haws Corporation - All Rights Reserved. HAWS® and other trademarks used in these materials are the exclusive property of Haws Corporation.



**INSTALLATION OVER DOUBLE FOUNTAIN**  
SHOWN FROM REAR

		<b>Haws</b>	
ECONO DRAWN: MJ APPROVED: TV	REVISIONS 5081 DATE: 10/20/17	MODEL(S) DRAWING: BACK PANEL SPACER INST., BF	1455 KLEPPE LANE SPARKS, NEVADA 89431 (775) 359-4712 FAX (775) 359-7424 E-MAIL: HAWS@HAWSCO.COM WEBSITE: WWW.HAWSCO.COM
DATE: 09/21/17 SCALE: 1:1 SHEET: 2 OF 2	CHECKED: MJ REV:	INSTALLATION PART NUMBER: 0510000493.D REVISION: 2	