



Haws®

model H1117LN.8HO-1920HO

ADA Vandal-Resistant Low Profile Chilled Motion-Activated/Push Button Fountain w/Bottle Filler

FEATURES & BENEFITS

ADA COMPLIANCE

ADA-compliant bottle filling station and dual-height high low drinking fountain required for wheel chair use, and for the standing person.

CONSTRUCTION

One-piece drinking fountains with low-profile design made of 14 gauge Type 304 stainless steel with 1/4" (.6 cm) thick stainless back plates welded in, and vandal-resistant stainless bottom plates.

MOUNTING

Heavy-duty 16-gauge galvanized steel mounting frame with welded-in heavy-duty 10 gauge mounting plate with pre-punched mounting holes provides the sturdy hidden support needed for the Hi-Lo configuration of this unit. Further convenience is given to the chiller with the integral fold-out shelf.

BUBBLER HEADS

Polished chrome-plated brass bubbler head with integral 11/16" dia. basin shank and stainless anti-rotation roll pin for vandal resistance strength. Shielded, angled stream opening provides a steady, sanitary source of drinking water at .45 gpm

FOUNTAIN VALVES

Fountain incorporates touchless sensor operated stainless steel solenoid valves controlled by a transformer on the bottle filler and on one side of the fountain, and a pushbutton activated valve which offers the only all stainless steel valve body that is machined out of solid bar stock and is fully serviceable through the front of the push button assembly offering access to the water control cartridge and integral water supply strainer on the other.

BOTTLE FILLER

Vandal-resistant, 14-gauge Type 304 stainless steel bottle filler housing with touchless operation and 1 gpm (3.78 L) laminar flow.

VANDAL-RESISTANT

The bubbler heads, push button, drain strainers and bottom plates are locked in place, discouraging unwanted vandal tampering.

OPTIONS

Mounting Plate: Model 6700, in-wall mounting plate for model 1920.

Mounting Plate: Model 6700R, on-wall mounting plate for model 1920.

Water Filter: Model 6426, 12" x 2" (30.5 x 5.1 cm), in-line lead removal element that reduces lead from incoming water.

Bottle Filler Stand: Model BTL1107, add-on stainless steel stand to place bottle on when 1920 bottle filler is used.



REQUIRED MODELS

H1117LN.8HO / HCR8 / MTGFR.LG / 1920HO / BP32

Order these items to make up the Model H1117LN.8HO -1920HO fountain with stainless steel back panel, bottle filler with stainless steel back plate, and fountain mounting frame shown above.

FOR INDOOR USE ONLY

SPECIFICATIONS

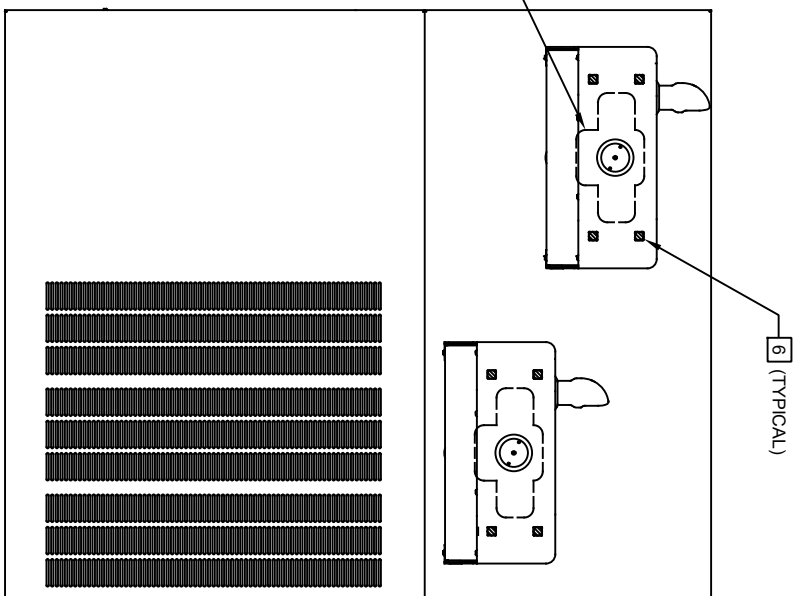
Model H1117LN.8HO-1920HO electric vandal-resistant motion activated wall mounted ADA water cooler and bottle filler shall include dual 14 gauge Type 304 Stainless Steel satin finish basins, touchless sensor operated solenoid valve on the bottle filler and on one side of the fountain, and push-button operated stainless-steel valve with front-accessible cartridge and flow adjustment on the other, in-line strainer and flow adjustment, 100% lead-free waterways, 1 gpm (3.78L) laminar flow bottle filler, polished chrome-plated brass vandal-resistant bubbler heads, and polished chrome-plated vandal-resistant waste strainers. Unit shall also include vandal-resistant stainless bottom plates, stainless steel satin finish back panel and louvered intrusion-proof grille, high and low fountain mounting levels, and 1-1/4" NPT concealed all cast-brass traps. The patented design allows the unit to be mounted to meet ADA or Child ADA specifications. The R-134a refrigeration system is hermetically sealed and delivers a minimum of 8 gph (30.3 L) of water at 50° F (10° C) cooled from 80° F (26.7° C) inlet water at 90° F (32.2° C) ambient. 115 Volts, 60Hz, rated watts: 370, full load amps: 5 Manufactured to be lead-free by all known definitions including NSF/ ANSI/CAN 61-Section 9, NSF/ANSI/ CAN 372, California Proposition 65, and the Federal Safe Drinking Water Act. Product is compliant to California Health and Safety Code 116875 (AB 1953-2006), and NSF/ ANSI/CAN 61: Q ≤ 1.



NOTES:

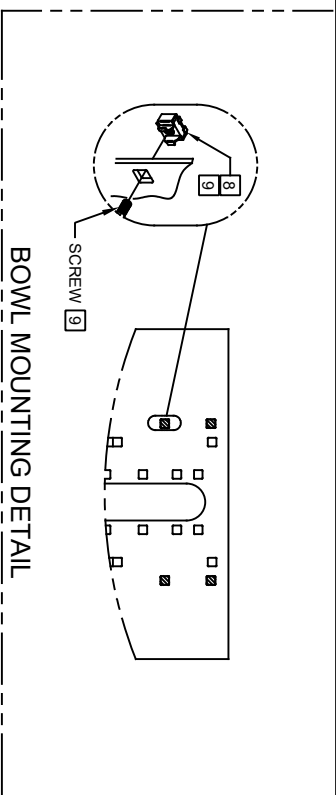
- [6] USE SHADED HOLES TO MOUNT BOWLS AT INDICATED POSITIONS.
- 7. REFER TO SHEET 1 OF 2 NOTE 5, FOR INSTALLED FOUNTAIN DIMENSIONS.
- [8] INSERT 5/16"-18 PANEL NUT RETAINERS FROM OPPOSITE SIDE AT LOCATIONS INDICATED (SHOWN BY DARKENED HOLES). USE THE UPPER OUTERMOST HOLES ON THE LEFT AND LOWER OUTERMOST HOLES ON THE RIGHT.
- [9] TO INSERT OR REMOVE NUT RETAINERS: SNAP NUT RETAINERS INTO INDICATED LOCATIONS. IF REMOVAL IS REQUIRED, FIRST REMOVE SCREWS AND THEN SQUEEZE CLIPS ON NUT RETAINER TO POP OUT.
- [10] ALIGN HOLES IN CHILLER SUPPORT TRAY WITH HOLES IN FRAME AND FASTEN WITH #10 SHEETMETAL SCREWS (SEE SHEET 1).

NOTE: BACK PANEL MUST BE INSTALLED WITH THESE CUT-OUTS ORIENTED AS SHOWN.

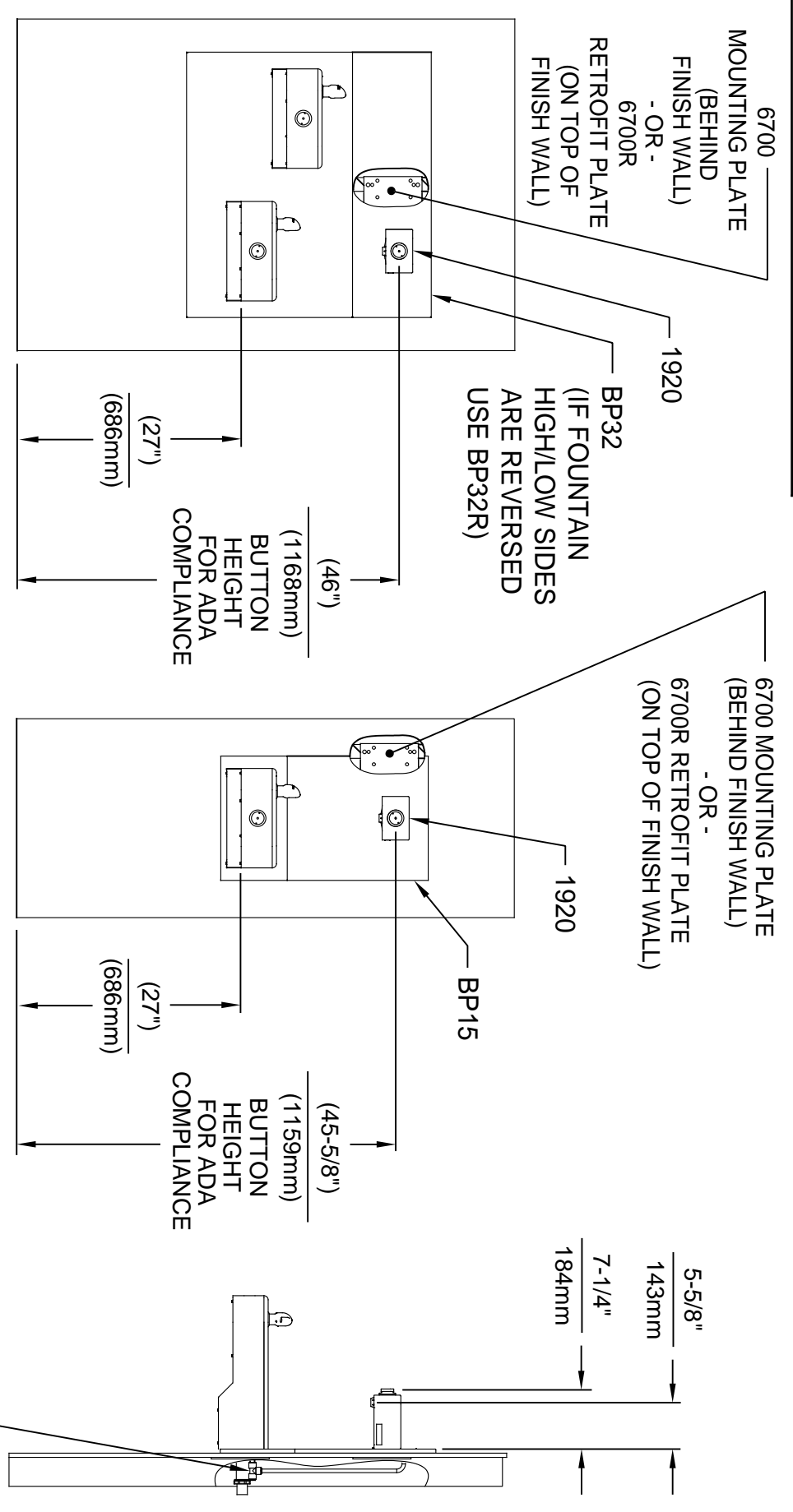


ADULT STANDING / ADULT WHEELCHAIR

BOWL MOUNTING LOCATIONS



		MODEL(S)		H11177LN 8	
ECN NO. REVISED PER BY:	DP	DATE:	CHK'D:	SCALE:	DRAWING TYPE:
5671	DP	03/24/21	FV	N/A	INSTALLATION
APPROVED:	DATE:	SCALE:	DRAWING TYPE:	SIZE:	SHEET
DP	06/21/21	N/A		A	2 OF 2
			1456 KLEPPE LANE SPARKS, NEVADA, 89431 (775) 359-4712 FAX (775) 359-7424 E-MAIL: HAWS@HAWS.CO.COM WEBSITE: WWW.HAWS.CO.COM		
ECN NO. REVISED PER BY: 5671 ECN.5671 DP DRAWN: DATE: CHK'D: DP 03/24/21 FV			PART NUMBER 0510001192.D REVISION 2		



INSTALLATION ABOVE HAWS 11117L, H11117.8, H1117LN.8

INSTALLATION ABOVE HAWS 1107L, H1107.8

3/8" O.D. SUPPLY TUBING AND 3/8" O.D. PUSH-IN TEE SUPPLIED. (CONNECT TO FOUNTAIN SUPPLY LINE)

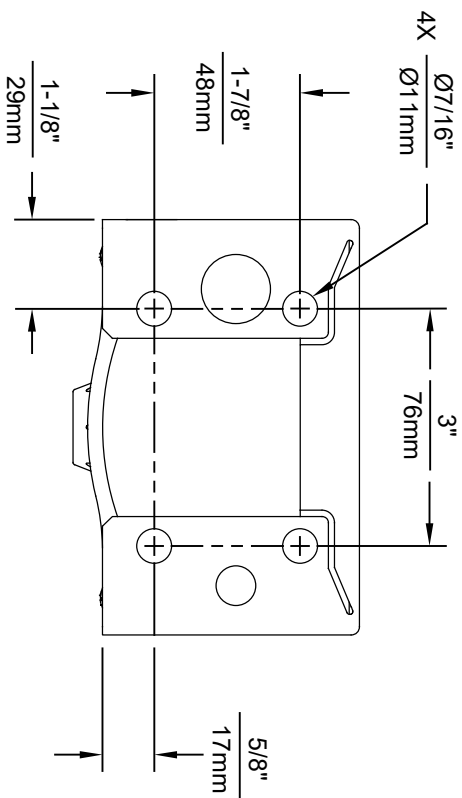
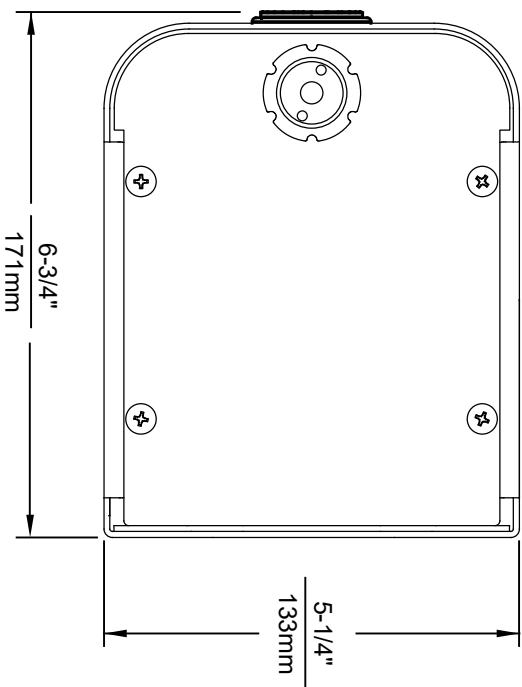
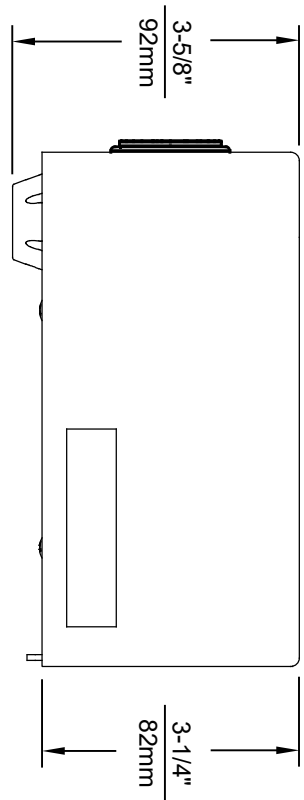
- * IF YOUR FOUNTAIN IS THIS STYLE USE THESE DIMENSIONS
1. SEE SEPARATE INSTALLATION DRAWINGS FOR MOUNTING PLATES AND BACKPANELS
 2. WHEN INSTALLING THIS UNIT, LOCAL, STATE OR FEDERAL CODES SHOULD BE ADHERED TO FOR INSTALLATION LOCATIONS, WASTE & SUPPLY REQUIREMENTS OTHER THAN SHOWN.



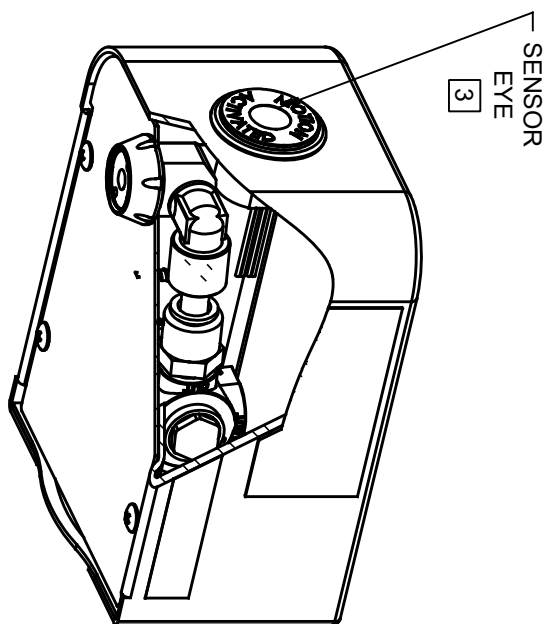
Haws

1456 KLEPPE LANE
SPARKS, NEVADA, 89431
(775) 359-4712 FAX (775) 359-7424
E-MAIL: HAWS@HAWS.CO.COM
WEBSITE: WWW.HAWS.CO.COM

ECN NO. REVISED PER BY:	MODEL(S)
5081	1920/1920HPS/1920W
DATE: 01/20/17	
CHK'D: FV	
MD	
APPROVED: FV	SCALE: N/A DRAWING TYPE: INSTALLATION
DATE: 08/13/20	SIZE: A SHEET 4 OF 6
PART NUMBER	REVISION
0510000490.D	7

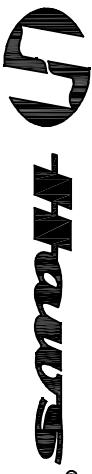


1920HO SERIES MOUNTING HOLE LOCATIONS
(3/8\" - 16 UNC MOUNTING HARDWARE NOT SUPPLIED)



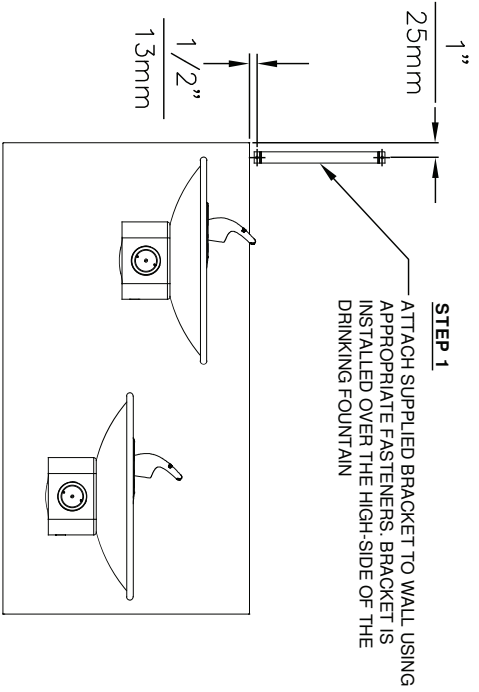
NOTES:

1. SEE SEPARATE INSTALLATION DRAWINGS FOR MOUNTING PLATES AND BACKPANELS
2. WHEN INSTALLING THIS UNIT, LOCAL, STATE OR FEDERAL CODES SHOULD BE ADHERED TO FOR INSTALLATION LOCATIONS, WASTE AND SUPPLY REQUIREMENTS OTHER THAN SHOWN.
3. REFER TO 1RKHO.H OPERATION & MAINTENANCE INSTRUCTIONS FOR SENSOR SETUP.

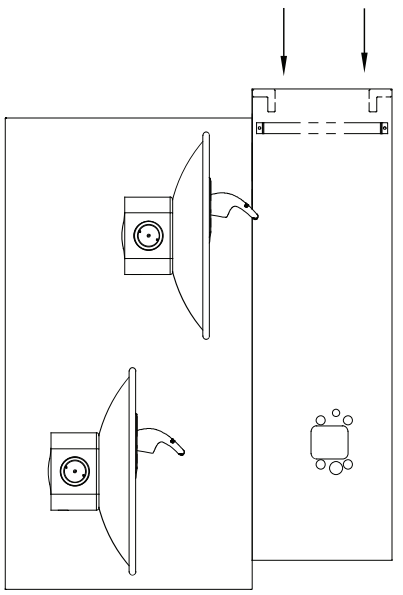


1455 KLEPPE LANE
SPARKS, NEVADA 89431
(775) 359-4712 FAX (775) 359-7424
E-MAIL: HAWS@HAWSCCO.COM
WEBSITE: WWW.HAWSCCO.COM

EQ. NO.	REVISED PER BY	MODEL(S)	PART NUMBER
5274	EQ. 5681 B.M.	1920HO/1920HPSHO/1920WHO	0510001063.D
DRAWN BY	DATE	SCALE	REVISION
B.M.	05/19/21	N/A	4
APPROVED	DATE	INSTALLATION	SHEET 1 OF 6
B.M.	05/19/21		



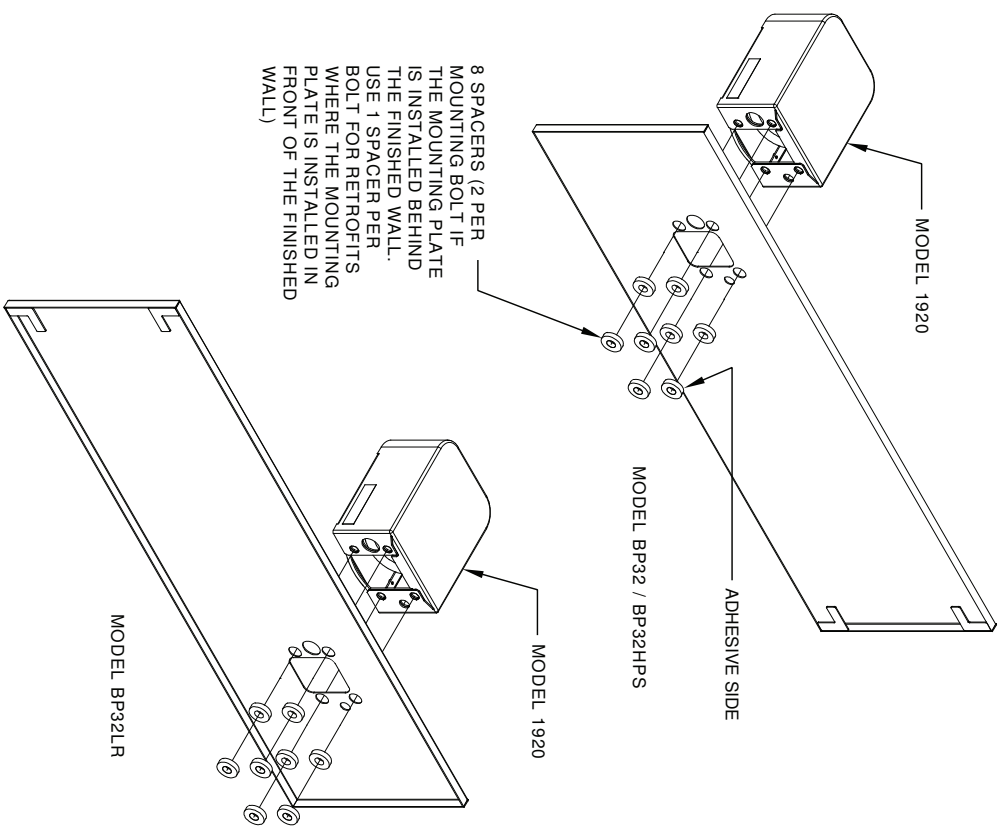
STEP 2
PLACE THE BACKPLATE AGAINST THE WALL AND SLIDE SIDEWAYS SO THE TABS CATCH UNDER THE BRACKET



STEP 3
INSTALL THE BOTTLE FILLER PER THE INSTRUCTIONS SUPPLIED WITH THE UNIT

NOTES:
1. WHEN INSTALLING THIS UNIT, LOCAL, STATE OR FEDERAL CODES SHOULD BE ADHERED TO.

©2017 Haws Corporation - All Rights Reserved. HAWS® and other trademarks used in these materials are the exclusive property of Haws Corporation.



INSTALLATION OVER DOUBLE FOUNTAIN
SHOWN FROM REAR

		Haws	
ECONO REVISIONS 5081 DRAWN: MJ MJ APPROVED: TV	REVISIONS 5172 DATE: 10/20/17 DATE: 09/21/17	MODEL(S) DRAWING: BACK PANEL SPACER INST. BF	1455 KLEPPE LANE SPARKS, NEVADA 89431 (775) 359-4712 FAX (775) 359-7424 E-MAIL: HAWS@HAWSCO.COM WEBSITE: WWW.HAWSCO.COM
SCALE: 1:1		DRAWING TYPE: INSTALLATION	PART NUMBER: 0510000493.D
REVISION: 2		SHEET: 2	OF: 2