

FEATURES & BENEFITS

CONSTRUCTION

One-piece drinking fountain with low-profile design made of 14 gauge Type 304 stainless steel with 1/4" (.6 cm) thick stainless back plate welded in, and vandal-resistant stainless bottom plate. Satin finish resists stains and corrosion.

VANDAL RESISTANT

The bubbler head, drain strainer and bottom plate are locked in place, discouraging unwanted vandal tampering.

BUBBLER HEAD

Polished chrome-plated brass bubbler head with integral 11/16" dia. basin shank and stainless anti-rotation roll pin for vandal resistance strength. Shielded, angled stream opening provides a steady, sanitary source of drinking water at .45 gpm.

DRINKING FOUNTAIN VALVE

Fountain incorporates a touchless sensor operated stainless steel solenoid valve controlled by a transformer for handsfree operation. A pressure regulator is used to adjust the bubbler flow according to incoming water pressures.

MOUNTING

Heavy-duty 16-gauge galvanized steel mounting frame with welded-in heavy-duty 10 gauge mounting plate with pre-punched mounting holes. Further convenience is given to the chiller with the integral fold-out shelf.

INTEGRATED TRAP

All cast brass 1-1/4" NPT adjustable trap completely concealed inside bottom plate for easy installation and access.

HANDS FREE

Touchless operation for safety and peace of mind.

OPTIONS

- Bottle Filler: Model 1920HO, bottle filler can be a stand-alone station, or mounted above Haws 1107LHO series drinking fountain models.
- Bottle Filler Stand: Model BTL1107, add-on stainless steel stand to place bottle on when 1920HO bottle filler is used.
- Water Filter: Model 6426, 10" x 2" (25.4 x 5.1 cm), in-line lead removal element that reduces lead from incoming water supply.

For more information, visit www.hawsco.com or call (888) 640-4297.



REQUIRED MODELS

Model H1107.8HO vandal-resistant ADA wall mounted motion activated chilled drinking fountain shall include an 14 gauge Type 304 Stainless Steel satin finish basin, touchless sensor operated stainless steel solenoid valve with 30-second obstruction time-out controlled by a transformer, 100% lead-free waterways, polished chrome-plated brass vandal-resistant bubbler head, polished chrome-plated brass vandal-resistant waste strainer, stainless steel satin finish back panel and louvered intrusion-proof grill, vandal-resistant bottom plate, and 1-1/4" NPT trap. The R-134a refrigeration system is hermetically sealed and delivers a minimum of 8 gph (30.3 L) of water at 50° F (10° C) cooled from 80° F (26.7° C) inlet water at 90° F (32.2° C) ambient. 115 Volts, 60Hz, rated watts: 370, full load amps: 5

REQUIRES MODEL HCR8 and MTGFR.7 PRICED SEPARATELY

FOR INDOOR USE ONLY

SPECIFICATIONS

Specifically, this type fountain may be placed in settings such as: schools, office buildings, shopping malls, and other indoor environments. Electric water coolers are not recommended or designed for outdoor applications or enclosed pool areas (chlorine). These conditions may void warranty. Model meets all current Federal Regulations for the disabled including those in the Americans with Disabilities Act. Haws manufactures drinking fountains, faucets and electric water coolers to be lead-free by all known definitions including NSF/ANSI/CAN 61- Section 9, NSF/ANSI/CAN 372, California Proposition 65, and the Federal Safe Drinking Water Act. Product is compliant to California Health and Safety Code 116875 (AB 1953-2006), and 116876 (AB 100) "NSF/ANSI/CAN 61: Q ≤ 1". Haws electric water coolers comply with ARI Standard 1010 and ANSI A117.1, and are listed by Underwriter Laboratories to U.S. and Canadian standards.

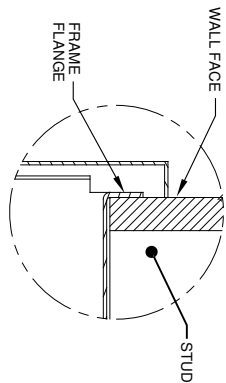


NOTES:

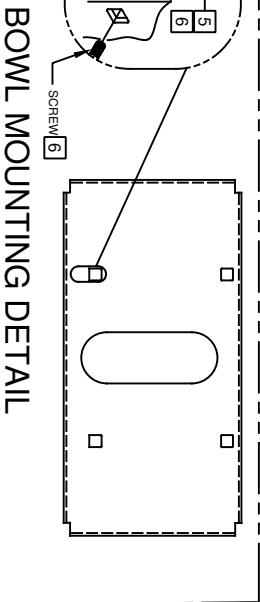
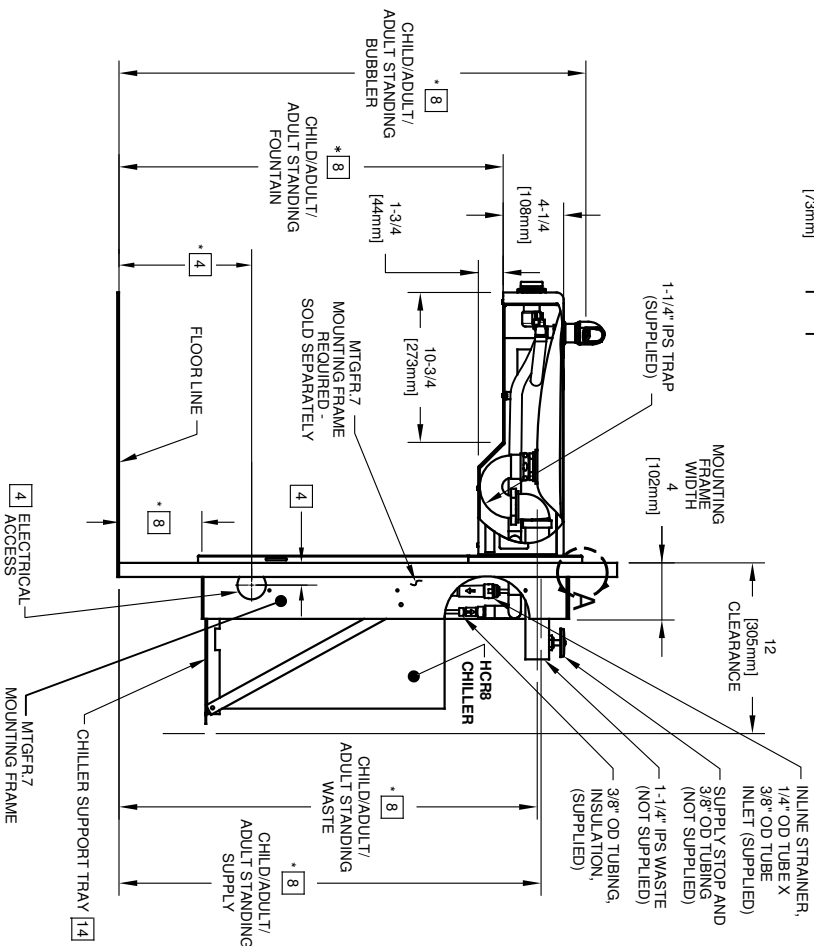
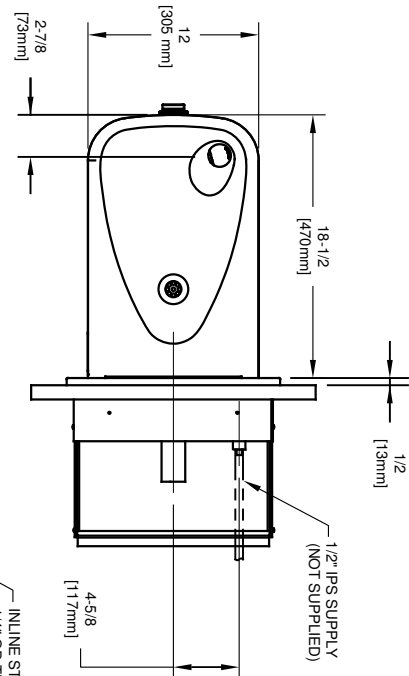
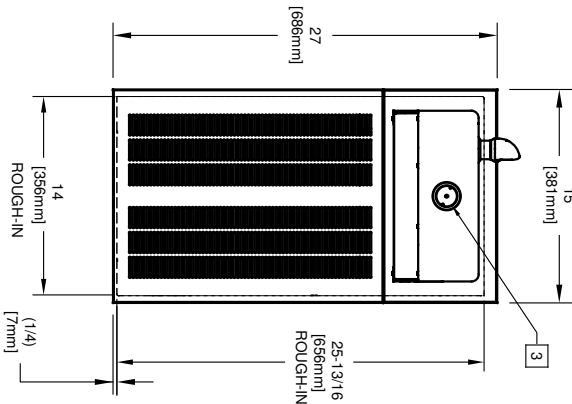
1. HOLD ROUGH-IN DIMENSIONS ± 1/8" (3.2mm)
2. WHEN INSTALLING THIS UNIT, LOCAL STATE OR FEDERAL CODES SHOULD BE ADHERED TO. FOR INSTALLATION HEIGHTS OTHER THAN SHOWN, DIMENSIONS MARKED () MUST BE ADJUSTED ACCORDINGLY.
3. REFER TO 5874 SERIES OPERATION AND MAINTENANCE MANUAL FOR PUSH BUTTON AND VALVE INSTALLATION/MAINTENANCE INSTRUCTIONS.
4. REFER TO MTFGR.7 INSTALLATION DRAWING FOR FRAME ROUGH-IN DIMENSIONS.
5. INSERT 5/16"-18 PANEL NUT RETAINERS FROM OPPOSITE SIDE AT LOCATIONS SHOWN.
6. FOUNTAIN REMOVAL: FIRST REMOVE SCREWS AND THEN SQUEEZE CLIPS ON NUT RETAINER TO POP OUT. INSTALL IS REVERSE OF REMOVAL.
7. ALIGN HOLES IN CHILLER SUPPORT TRAY WITH HOLES IN FRAME AND FASTEN WITH #10 SHEET METAL SCREWS.
8. ROUGH-IN DIMENSIONS FOR FOUNTAIN HEIGHTS:

- CHILD WHEELCHAIR HEIGHT:**
 WASTE: 26-1/4" (667mm)
 SUPPLY: 28-1/8" (694mm)
 FOUNTAIN: 24" (610mm)
 BUBBLER: 25-7/8" (796mm)
 FRAME: 3-1/8" (79mm)
- ADULT WHEELCHAIR HEIGHT:**
 WASTE: 29-1/4" (743mm)
 SUPPLY: 29-1/8" (740mm)
 FOUNTAIN: 27" (686mm)
 BUBBLER: 32-7/8" (832mm)
 FRAME: 6-1/8" (156mm)
- ADULT STANDING HEIGHT:**
 WASTE: 34-3/4" (883mm)
 SUPPLY: 34-5/8" (879mm)
 FOUNTAIN: 32-1/2" (826mm)
 BUBBLER: 39-3/8" (972mm)
 FRAME: 11-5/8" (294mm)

IMPORTANT: MOUNTING FRAME MUST BE INSTALLED SO THAT LIP OF FRAME SITS AGAINST FINISHED WALL FACE.



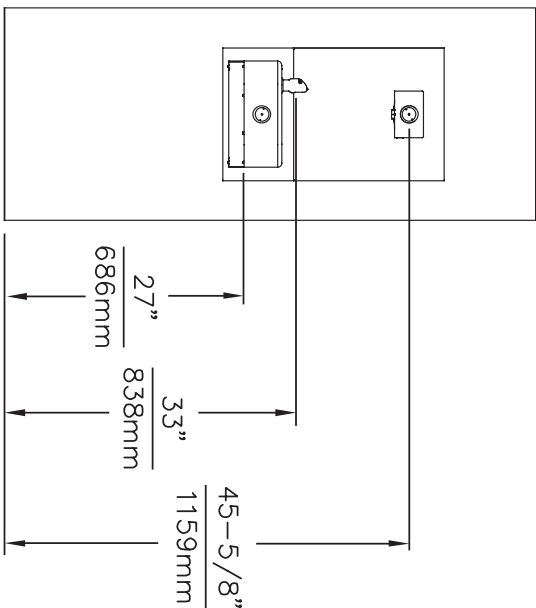
DETAIL A



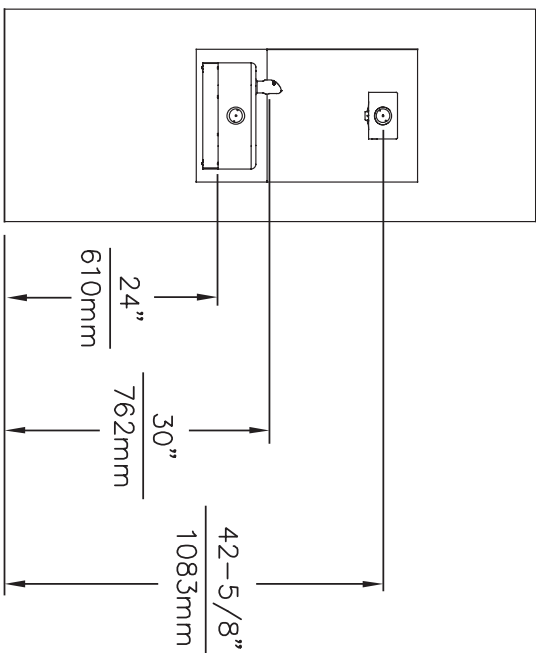
BOWL MOUNTING DETAIL

1456 KLEPPE LANE
 SPARKS, NEVADA 89431
 (775) 359-4712 FAX (775) 359-7424
 E-MAIL: HAWS@HAWS.CO.COM
 WEBSITE: WWW.HAWS.CO.COM

ECON NO. REVISED PER BY: MODEL(S)		PART NUMBER	
DRAWN: ECON: 5545	DATE: CHKD: EV	0002080221.D	
APPROVED: 12-19-06	DATE: DP	REVISION	
EV	06/26/20	SCALE: N/A	SHEET 1 OF 1
DRAWING TYPE: INSTALLATION		SIZE: A	
HI 1107.8		15	



ADA ADULT ACCESSIBLE DIMENSIONS 1107L AND H1107.8
H1107.8 GRILL NOT SHOWN FOR CLARITY



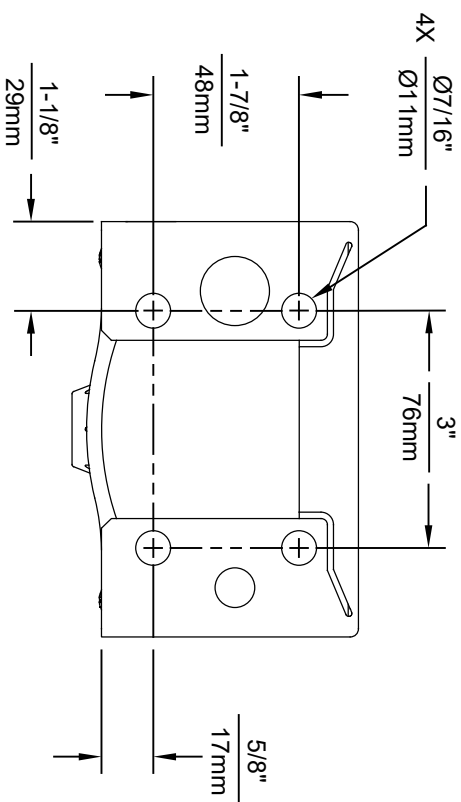
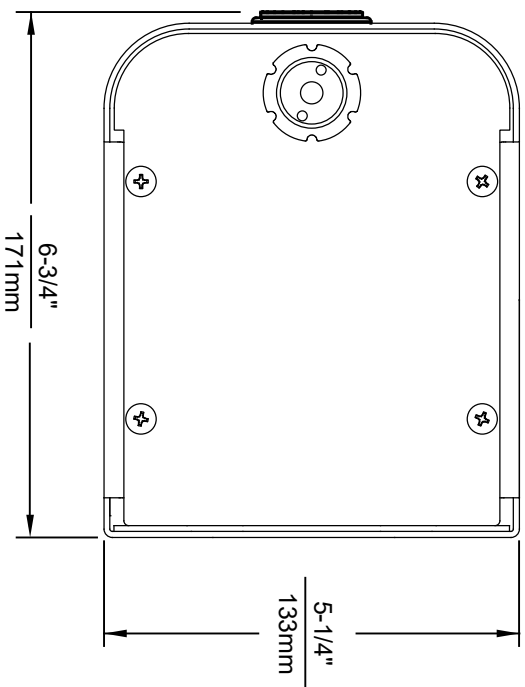
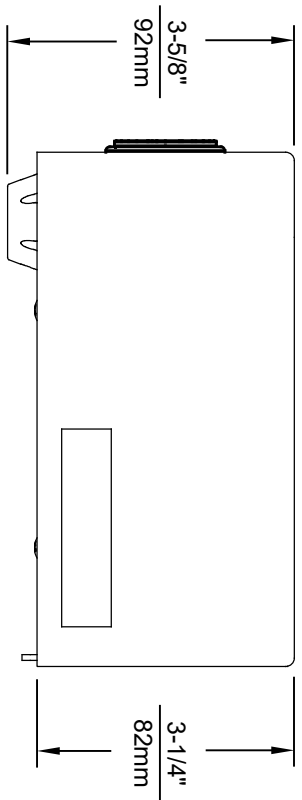
ADA CHILD ACCESSIBLE DIMENSIONS 1107L AND H1107.8
H1107.8 GRILL NOT SHOWN FOR CLARITY



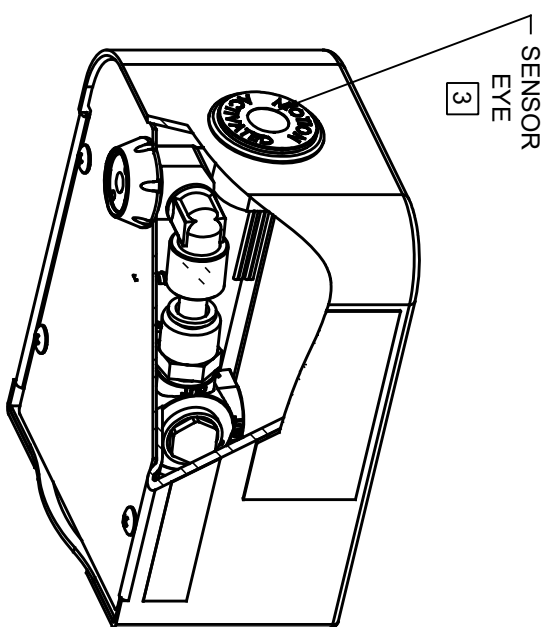
Haws

1455 KLEPPLE LANE
SPARKS, NEVADA 89431
(775) 359-4712 FAX (775) 359-7424
E-MAIL: HAWS@HAWSCO.COM
WEBSITE: WWW.HAWSCO.COM

ECN NO.	REVISOR	BY	MODEL(S)	PART NUMBER
DATE	DATE	DATE	MODEL 1107L AND H1107.8	1107L-24
APPROVED	DATE	DATE	WITH MODEL 1920 BOTTLE FILLER	REVISION
				0A.1
SCALE	VA	DRAWING TYPE	INSTALLATION	SIZE: A1 SHEET 1 OF 1



1920HO SERIES MOUNTING HOLE LOCATIONS
(3/8" - 16 UNC MOUNTING HARDWARE NOT SUPPLIED)



NOTES:

1. SEE SEPARATE INSTALLATION DRAWINGS FOR MOUNTING PLATES AND BACKPANELS
2. WHEN INSTALLING THIS UNIT, LOCAL, STATE OR FEDERAL CODES SHOULD BE ADHERED TO FOR INSTALLATION LOCATIONS, WASTE AND SUPPLY REQUIREMENTS OTHER THAN SHOWN.
3. REFER TO 1RKHO.H OPERATION & MAINTENANCE INSTRUCTIONS FOR SENSOR SETUP.

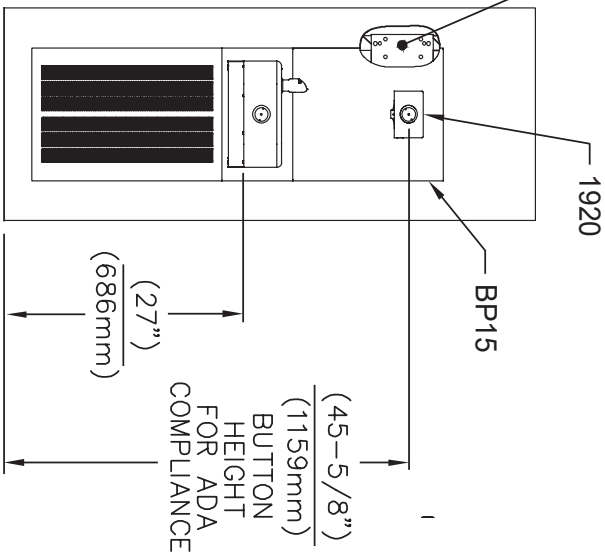


1455 KLEPPE LANE
SPARKS, NEVADA 89431
(775) 359-4712 FAX (775) 359-7424
E-MAIL: HAWS@HAWSCCO.COM
WEBSITE: WWW.HAWSCCO.COM

EQ. NO.	REVISED PER BY	MODEL(S)	PART NUMBER
5274	EQ. 5681 B.M.	1920HO/1920HPSHO/1920WHO	0510001063.D
DRAWN BY	DATE	SCALE	REVISION
B.M.	05/19/21	N/A	4
APPROVED	DATE	DRAWING TYPE	SHEET 1 OF 6
B.M.	05/19/21	INSTALLATION	

THIS DOCUMENT IS TRUE AND CORRECT AT TIME OF PUBLICATION. CONTINUED PRODUCT IMPROVEMENTS MAKE SPECIFICATIONS AND MEASUREMENTS SUBJECT TO CHANGE WITHOUT NOTICE.

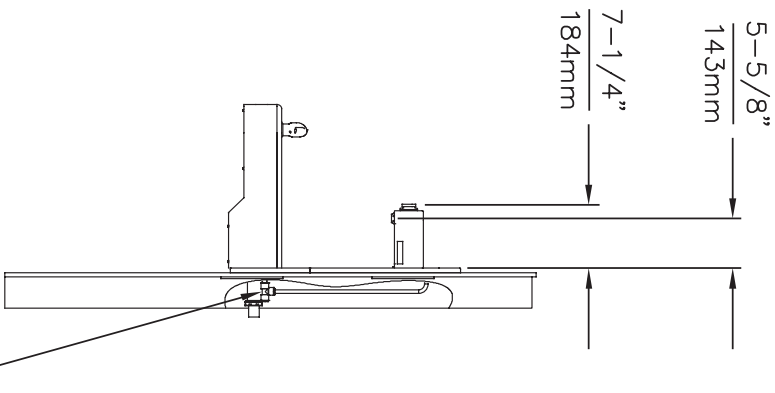
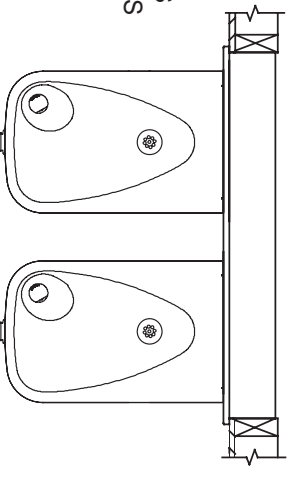
6700 MOUNTING PLATE
(BEHIND FINISH WALL)
- OR -
6700R RETROFIT PLATE
(ON TOP OF FINISH WALL)



INSTALLATION ABOVE HAWS H1107.8

* IF YOUR FOUNTAIN IS THIS STYLE USE THESE DIMENSIONS

- SEE SEPARATE INSTALLATION DRAWINGS FOR MOUNTING PLATES AND BACKPANELS
- WHEN INSTALLING THIS UNIT, LOCAL, STATE OR FEDERAL CODES SHOULD BE ADHERED TO FOR INSTALLATION LOCATIONS, WASTE & SUPPLY REQUIREMENTS OTHER THAN SHOWN.



Haws

1456 KLEPPE LANE

SPARKS, NEVADA 89431
(775) 359-4712 FAX (775) 358-7424
E-MAIL: HAWS@HAWS.CO.COM
WEBSITE: WWW.HAWS.CO.COM

ECN NO. REVISED PER BY	MODEL(S)	MODEL H1107.8	PART NUMBER
DATE: CHKD:	WITH MODEL 1920 BOTTLE FILLER		H1107.8-20
DATE: CHKD:			REVISION
DATE: CHKD:			0A.1
APPROVED:	SCALE: NA	DRAWING TYPE: INSTALLATION	SIZE: A
			SHEET 1 OF 2

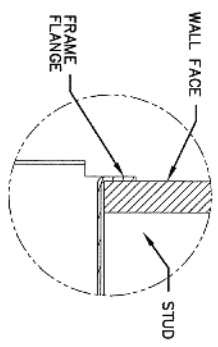
©2017 Haws Corporation - All Rights Reserved. HAWS® and other trademarks used in these materials are the exclusive property of Haws Corporation.

THIS DOCUMENT IS TRUE AND CORRECT AT TIME OF PUBLICATION. CONTINUED PRODUCT IMPROVEMENTS HAVE SPECIFICATIONS AND MEASUREMENTS SUBJECT TO CHANGE WITHOUT NOTICE.

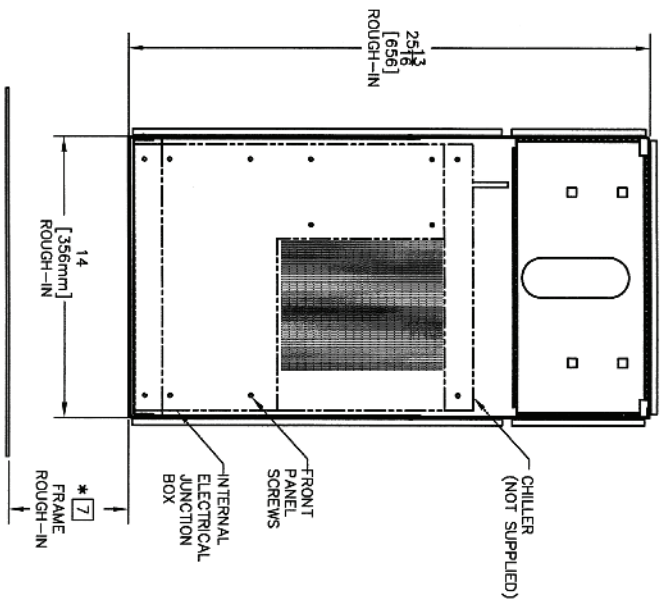
MOUNTING FRAME INSTALLATION:

1. HOLD ROUGH-IN DIMENSIONS ± 1/8" (3.2mm)
2. WHEN INSTALLING THIS UNIT, LOCAL, STATE OR FEDERAL CODES SHOULD BE ADHERED TO. FOR DIFFERENT INSTALLATION HEIGHTS OTHER THAN SHOWN, DIMENSIONS MARKED (*) MUST BE ADJUSTED ACCORDINGLY.
3. ALIGN HOLES IN CHILLER SUPPORT TRAY WITH HOLES IN FRAME AND FASTEN IN PLACE WITH #10 SHEET-METAL SCREWS SUPPLIED WITH UNIT.
4. REFER TO MODEL H1107.8 INSTALLATION DRAWING FOR COMPLETED FOUNTAIN AND PLUMBING ROUGH-IN DIMENSIONS.
5. INSERT 5/16"-18 PANEL NUT RETAINERS (SUPPLIED WITH FOUNTAIN) FROM OPPOSITE SIDE OF OPENINGS.
6. FOUNTAIN REMOVAL: FIRST REMOVE SCREWS AND THEN SQUEEZE CLIPS ON NUT RETAINER (SUPPLIED WITH FOUNTAIN) TO POP OUT. INSTALL IS REVERSE OF REMOVAL.
7. ROUGH-IN DIMENSIONS FOR FOUNTAIN HEIGHTS:
CHILD WHEELCHAIR HEIGHT:
FRAME ROUGH-IN HEIGHT: 3-1/8" (79mm)
ELECTRICAL ACCESS: 6-5/8" (168mm)
ADULT WHEELCHAIR HEIGHT:
FRAME ROUGH-IN HEIGHT: 6-1/8" (156mm)
ELECTRICAL ACCESS: 9-5/8" (245mm)
ADULT STANDING HEIGHT:
FRAME ROUGH-IN HEIGHT: 11-5/8" (295mm)
ELECTRICAL ACCESS: 15-1/8" (384mm)

IMPORTANT: MOUNTING FRAME MUST BE INSTALLED SO THAT LIP OF FRAME BUTTS AGAINST FINISHED WALL FACE.

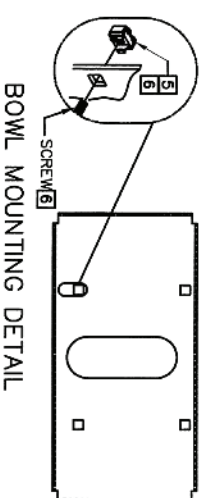
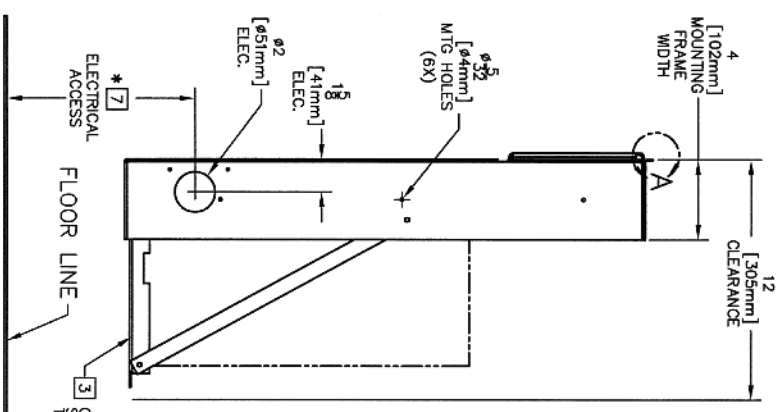


DETAIL A



CHILLER ELECTRICAL INSTALLATION:

2. ENSURE ELECTRICAL POWER IS OFF AND POWER MATCHES VOLTAGE, PHASE AND CYCLE LISTED ON CHILLER LABEL.
3. REMOVE FRONT PANEL TO GAIN ACCESS TO INTERNAL JUNCTION BOX. HARDWIRE CHILLER THROUGH ITS SIDE. WIRE IN ACCORDANCE WITH LOCAL, STATE OR FEDERAL ELECTRICAL CODES.
4. REPLACE FRONT PANEL. DO NOT APPLY POWER UNTIL WATER SUPPLY IS CONNECTED AND ON.



1456 KLEPPE LANE
SPARKS, NEVADA 89431
(775) 359-4712 FAX (756) 359-7424
E-MAIL: HAWS@HAWS.CO.COM
WEBSITE: WWW.HAWS.CO.COM

ECON. NO. REVISED PER/BY:	MODEL(S)
DRAWN: 3864	MTGFR.7
DATE: 11/11/07	SCALE: 1:1
APPROVED: [Signature]	DRAWING TYPE: INSTALLATION
PART NUMBER: 0002080010	SIZE: A
DRAWING NO.: 15272A00	SHEET: 1 OF 1
REV: 3	

©2011 Haws Corporation - All Rights Reserved. HAWS® and other trademarks used in these materials are the exclusive property of Haws Corporation.

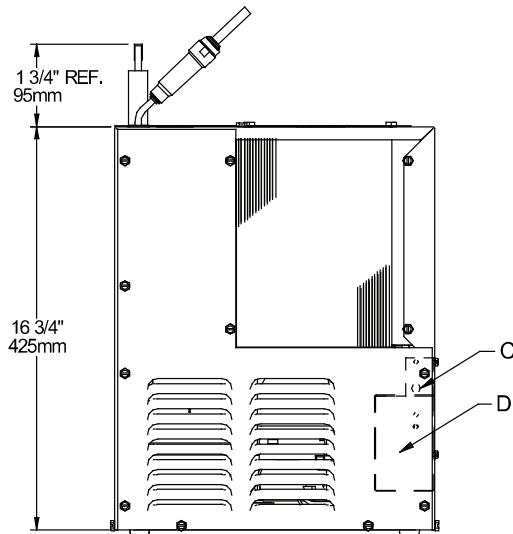
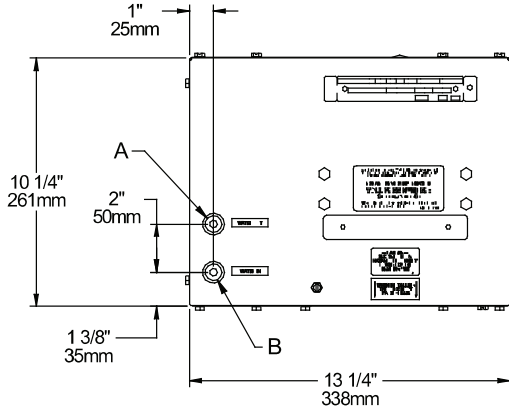
Installation Instructions

HCR8 Refrigeration Packages

NOTICE: This water cooler must be connected to the water supply using a dielectric coupling.

IMPORTANT! INSTALLER PLEASE NOTE.

The grounding of electrical equipment such as telephone, computers, etc., to water lines is a common procedure. This grounding may be in the building, or may occur away from the building. This grounding can cause electrical feedback into a water chiller, creating an electrolysis which causes a metallic taste or an increase in the metal content of the water. This condition is avoidable by using the proper materials indicated below.



LEGEND
 A = 1/4" O.D. TUBE WATER OUTLET C = TEMPERATURE ADJUSTMENT
 B = 1/4" O.D. TUBE WATER INLET D = ELECTRICAL

INSTALLATION

1. When mounting unit in an open area, to insure proper ventilation, maintain a 4" (102mm) clearance from cabinet louvers on each side of cooler. When mounting unit in a cavity or behind a wall maintain minimum space of 4" (102mm) on each side, 4" (102mm) on the top and a depth of 12" (305mm).
2. Water inlet is 1/4" (6 mm) O.D. tube. Contractor to supply the connections as required.
3. Connecting lines to be of unplated copper, thoroughly flushed to remove all foreign matter before being connected to cooler. If flushing does not remove all particles, a water strainer should be installed in supply line. This cooler is manufactured in such a manner that it does not in any way cause taste, odor, color or sediment problems.
4. Connect cooler to building supply line with a shut-off valve and install the in-line strainer between the valve and cooler.
5. Electrical: Make sure power supply is identical in voltage, cycle, and phase to that specified on cooler serial plate. Never wire compressor directly to the power supply.
6. This chiller has been designed for use with potable water **ONLY**.

START-UP

1. Open supply line valve.
2. Purge air from all water lines by operating bubbler valve of fountain to which cooler is connected. Steady stream assures all air is removed.
3. Rotate fan to insure proper clearance and free fan action.
4. Connect to electrical power.

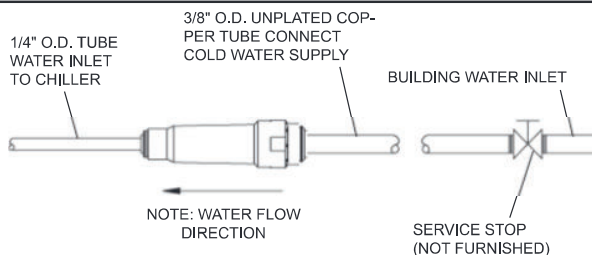
TROUBLE SHOOTING & MAINTENANCE

Temperature Control: Factory set at 50°F (± 5°) under normal conditions. For colder water, adjust screw on item no. 9 in clockwise direction.

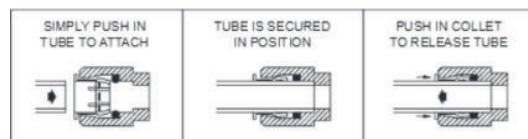
Ventilation: Cabinet louvers and condenser fins should be periodically cleaned with brush, air hose or vacuum cleaner. Excess dirt or poor ventilation can cause no cold water and compressor cycling on the compressor overload protector.

Lubrication: Motors are lifetime lubricated.

Actuation of Quick Connect Water Fittings: Cooler is provided with lead-free connectors which utilize an o-ring seal. To remove tubing from the fittings, relieve water pressure, push in on gray collar while pulling on the tubing. To insert tubing, push tube straight into fitting until it reaches a positive stop, approximately 3/4".



OPERATION OF QUICK CONNECT FITTINGS



PUSHING TUBE IN BEFORE PULLING IT OUT HELPS TO RELEASE TUBE