

FEATURES & BENEFITS

CONSTRUCTION

Heavy-duty cast-iron ADA accessible bowl with a glossy white enamel finish is designed for the toughest of applications, and at the same time is gentle to all users with its soft rounded corners. Unit also ships with vandal resistant bottom plates to provide added peace of mind.

BOTTLE FILLER

Powder-coated white 14-gauge Type 304 stainless steel bottle filler housing with touchless operation and 1 gpm (3.78 L) laminar flow with 30-second obstruction time-out.

BUBBLER HEADS

Polished chrome-plated brass bubbler heads with integral laminar flow prevents splashing while providing a superior flow pattern. The integral 11/16" dia. basin shank and stainless anti-rotation roll pin for vandal resistance strength. Shielded, angled stream opening provides a steady source of drinking water at .45 gpm.

FOUNTAIN VALVES

Fountain incorporates a touchless sensor operated stainless steel solenoid valves controlled by a transformer on the bottle filler and on one fountain, and a push-button activated valve which offers the only all stainless-steel valve body that is machined out of solid bar stock and is fully serviceable through the front of the push button assembly offering access to the water control cartridge and integral water supply strainer on the other.

VANDAL RESISTANT

The bubbler heads, push button, drain strainers and bottom plates are locked in place, discouraging unwanted vandal tampering, and 30-second obstruction time-out to reduce tampering of sensor.

MOUNTING

3/16" (.47 cm) thick steel mounting plate is larger, thicker and stronger than any other plate in the industry, and shall include the all-thread studs, nuts, and washers which allows for easy installation to a framed wall.

OPTIONS

- Mounting Plate: Model 6700 in-wall mounting plate for model 1920W.
- Mounting Plate: Model 6700R on-wall mounting plate for model 1920W.
- Support Frame: Model 6800 In-wall floor mounted fixture support legs, welded steel 4-bolt floor flanges, and supplied with 'U' bolts and hardware.
- Bottle Filler Stand: Model BTL1311, add-on stainless steel stand to place bottle on when 1920 bottle filler is used.

For more information, visit www.hawsco.com or call (888) 640-4297.



REQUIRED MODELS

1501HO / 6715 / 1920WHO / BP32W

Order these items to make up the Model 1501HO-1920WHO enameled iron fountain with stainless steel back panel, bottle filler with stainless steel back plate, and fountain mounting plate shown above.

FOR INDOOR USE ONLY

SPECIFICATIONS

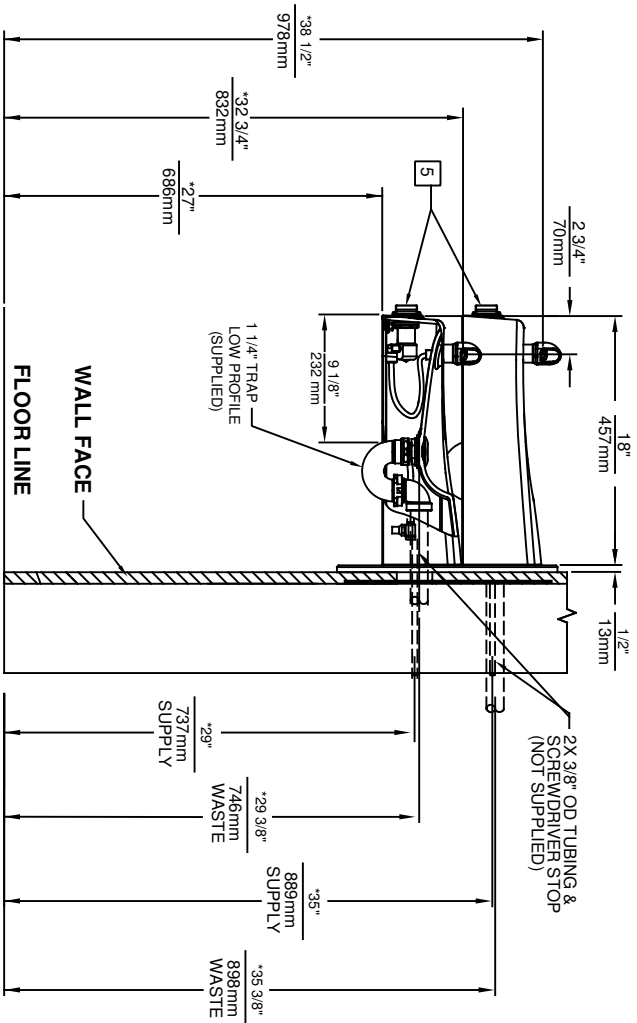
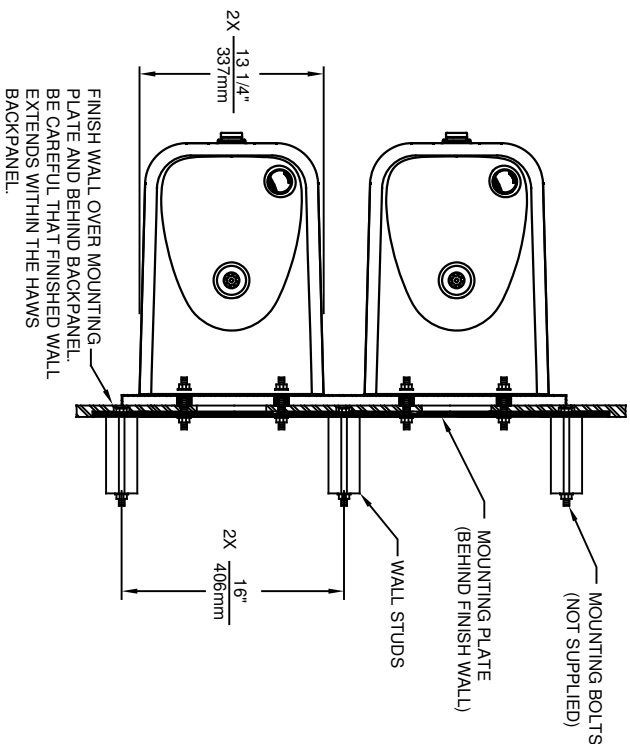
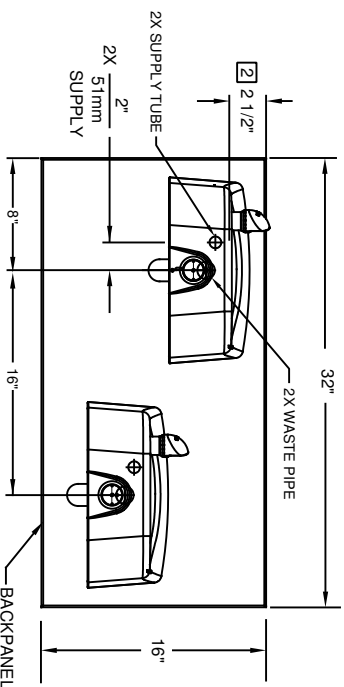
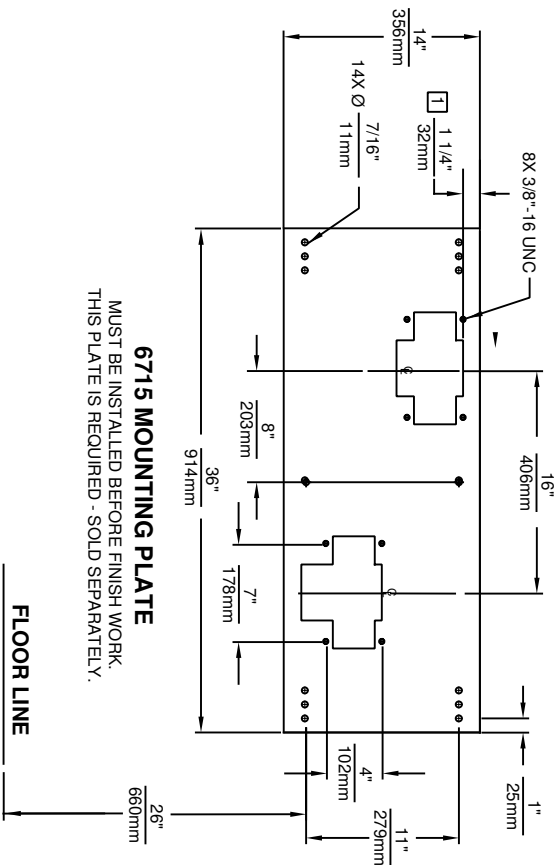
Model 1501HO-1920WHO vandal-resistant wall-mounted ADA motion activated/push button drinking fountain and bottle filler shall include dual white enameled-iron basins, touchless sensor operated solenoid valves with 30-second obstruction time-out on the bottle filler and on one side of the fountain, and a vandal-resistant push-button operated stainless-steel valve with front-accessible cartridge and flow adjustment on the other, 100% lead-free waterways, polished chrome-plated brass vandal-resistant bubbler heads, polished chrome-plated brass vandal-resistant waste strainers, vandal-resistant bottom plates, white powder coated stainless steel back panel and 1-1/4" NPT traps. Model meets all current Federal Regulations for the disabled including those in the Americans with Disabilities Act. Manufactured to be lead-free by all known definitions including NSF/ ANSI/CAN 61-Section 9, NSF/ANSI/ CAN 372, California Proposition 65, and the Federal Safe Drinking Water Act. Product is compliant to California Health and Safety Code 116875 (AB 1953-2006), and NSF/ ANSI/CAN 61: Q ≤ 1.

The bottle filler requires a mounting plate; either the Haws model 6700 in-wall or the 6700R on-wall support plate.



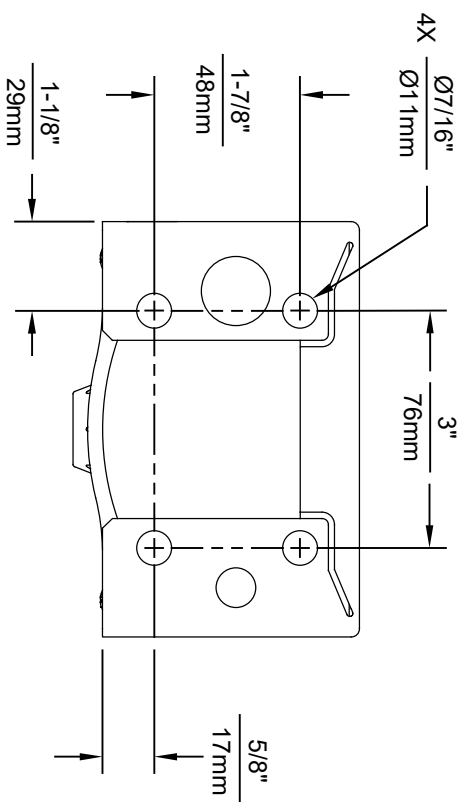
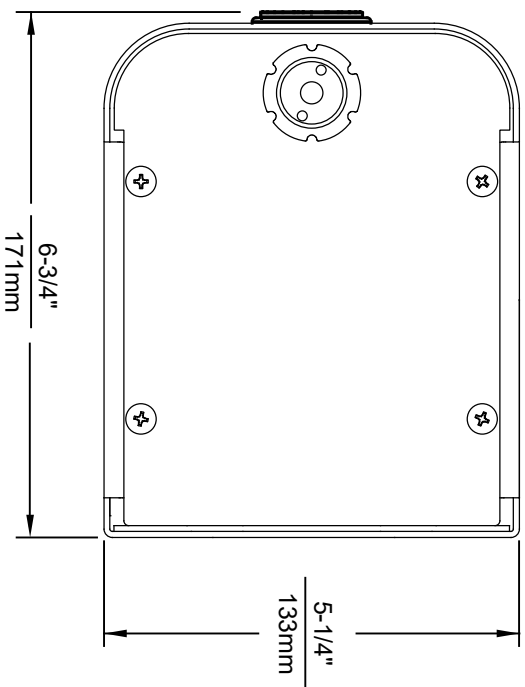
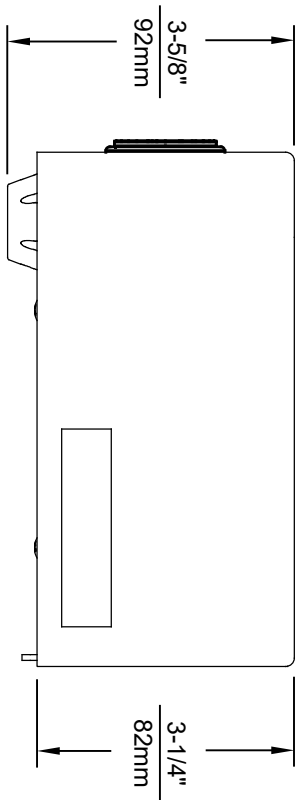
NOTES:

- 1 1 1/4" DIM TO SLOTTED OPENING ON THE MOUNTING PLATE MUST BE ON THE TOP LEFT HAND SIDE WHEN INSTALLED.
- 2 2 1/2" DIM TO SLOTTED OPENING ON THE BACKPANEL MUST BE ON TOP LEFT HAND SIDE WHEN INSTALLED.
- 3 HOLD ROUGH-IN DIMENSIONS ± 1/4" (6.4MM).
4. WHEN INSTALLING THIS UNIT, LOCAL, STATE, OR FEDERAL CODES SHOULD BE ADHERED TO. FOR INSTALLATION HEIGHTS OTHER THAN SHOWN, DIMENSIONS MARKED (?) MUST BE ADJUSTED ACCORDINGLY.
- 5 REFER TO 5874 SERIES OPERATION AND MAINTENANCE MANUAL FOR PUSH BUTTON AND VALVE INSTALLATION/MAINTENANCE INSTRUCTIONS.

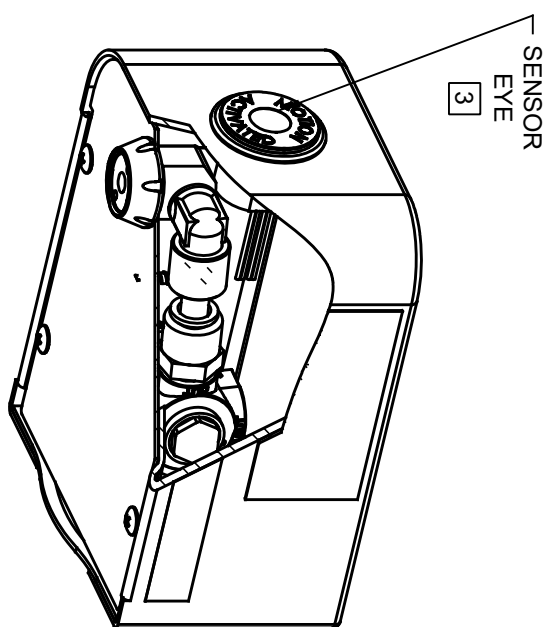


1459 KLEPPE LANE
SPARKS, NEVADA 89431
(775) 359-4712 FAX (775) 359-7424
E-MAIL: HAWS@HAWS.CO.COM
WEBSITE: WWW.HAWS.CO.COM

ECN NO. REVISED PER BY:	MODEL(S)	PART NUMBER
5010		0510000047.D
DATE: CHKD:		REVISION
08/25/15 FV		5
HM		
DATE: DP		
04/02/20		
APPROVED: FV	SCALE: 1:1	DRAWING TYPE
		INSTALLATION
		SIZE: A
		SHEET 1 OF 1



1920HO SERIES MOUNTING HOLE LOCATIONS
(3/8" - 16 UNC MOUNTING HARDWARE NOT SUPPLIED)



NOTES:

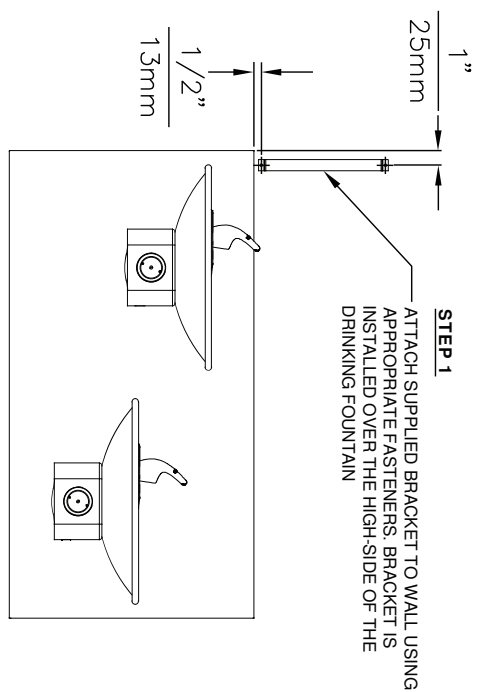
1. SEE SEPARATE INSTALLATION DRAWINGS FOR MOUNTING PLATES AND BACKPANELS
2. WHEN INSTALLING THIS UNIT, LOCAL, STATE OR FEDERAL CODES SHOULD BE ADHERED TO FOR INSTALLATION LOCATIONS, WASTE AND SUPPLY REQUIREMENTS OTHER THAN SHOWN.
3. REFER TO 1RKHO.H OPERATION & MAINTENANCE INSTRUCTIONS FOR SENSOR SETUP.



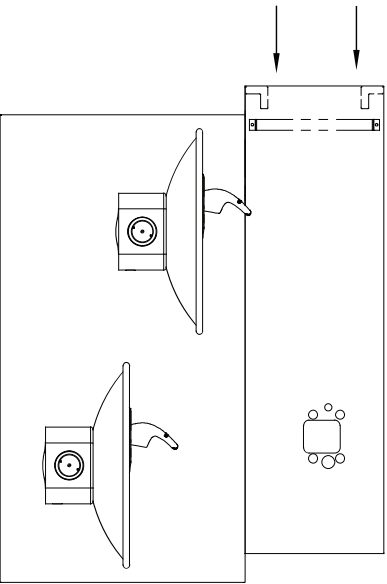
1455 KLEPPE LANE
SPARKS, NEVADA 89431
(775) 359-4712 FAX (775) 359-7424
E-MAIL: HAWS@HAWSCCO.COM
WEBSITE: WWW.HAWSCCO.COM

EQ# NO. REVISION	PER BY	DATE	SCALE	INSTALLATION	SIZE	SHEET
5274	EQ# 5681	05/19/21	N/A		A	1 OF 6
DRW#	DATE	DATE	SCALE	INSTALLATION	SIZE	SHEET
B.M.	LV	LV				4
MODEL(S)	1920HO/1920HPSHO/1920WHO					
PART NUMBER	0510001063.D					
REVISION	4					

THIS DOCUMENT IS TRUE AND CORRECT AT TIME OF PUBLICATION. CONTINUED PRODUCT IMPROVEMENTS MAKE SPECIFICATIONS AND MEASUREMENTS SUBJECT TO CHANGE WITHOUT NOTICE.

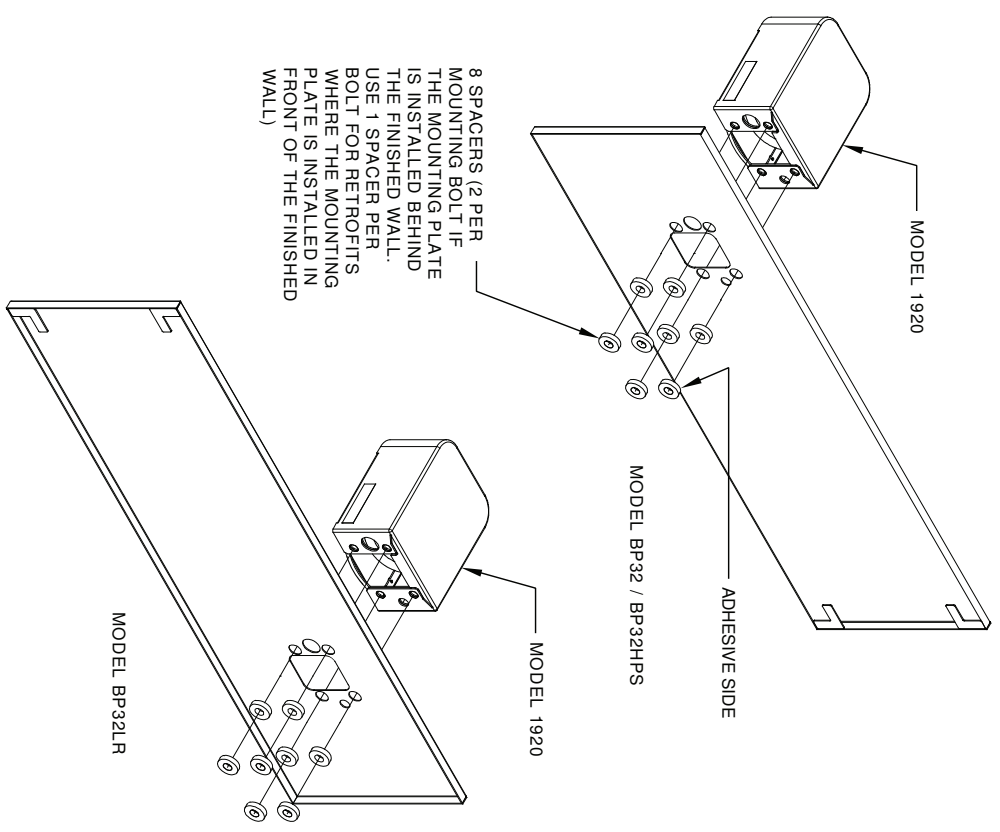


STEP 2
PLACE THE BACKPLATE AGAINST THE WALL AND SLIDE SIDEWAYS SO THE TABS CATCH UNDER THE BRACKET



STEP 3
INSTALL THE BOTTLE FILLER PER THE INSTRUCTIONS SUPPLIED WITH THE UNIT

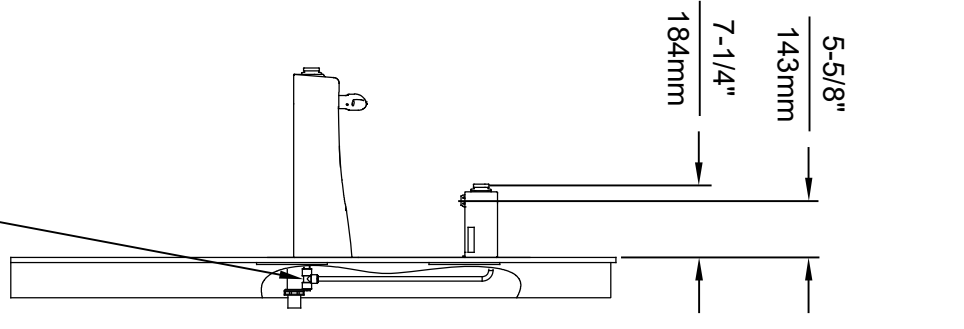
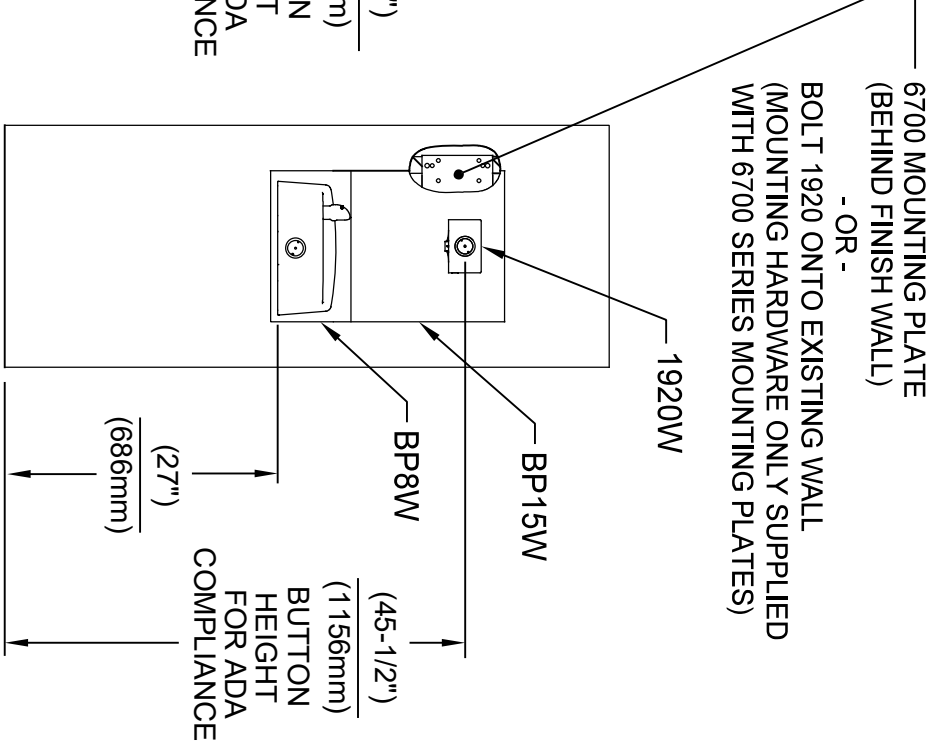
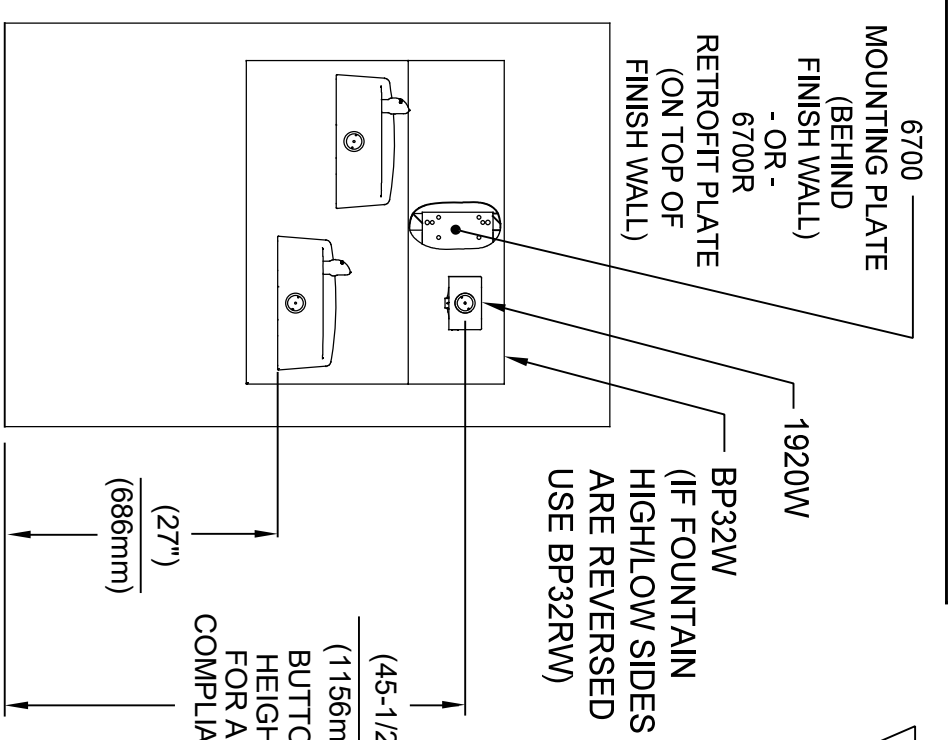
NOTES:
1. WHEN INSTALLING THIS UNIT, LOCAL, STATE OR FEDERAL CODES SHOULD BE ADHERED TO.



INSTALLATION OVER DOUBLE FOUNTAIN
SHOWN FROM REAR

		Haws	
1455 KLEPPER LANE SPARKS, NEVADA 89431 (775) 359-4712 FAX (775) 359-7424 E-MAIL: HAWS@HAWS.CO.COM WEBSITE: WWW.HAWS.CO.COM		MODEL(S) DRAWING, BACK PANEL SPACER INST, BF	
EQ'NO DRAWN: MA APPROVED: FV	DESIGNED BY: MA DATE: 02/02/17 CHECKED BY: FV	SCALE: 1:1	DRAWING TYPE: INSTALLATION
PART NUMBER 0310000493.D		REVISION: 2	SHEET 2 OF 2

©2017 Haws Corporation - All Rights Reserved. HAWS® and other trademarks used in these materials are the exclusive property of Haws Corporation.

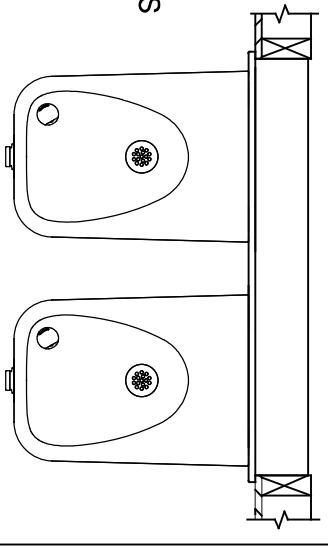


INSTALLATION ABOVE HAWS 1501

INSTALLATION ABOVE HAWS 1311

* IF YOUR FOUNTAIN IS THIS STYLE USE THESE DIMENSIONS

1. SEE SEPERATE INSTALLATION DRAWINGS FOR MOUNTING PLATES AND BACKPANELS
2. WHEN INSTALLING THIS UNIT, LOCAL, STATE OR FEDERAL CODES SHOULD BE ADHERED TO FOR INSTALLATION LOCATIONS, WASTE & SUPPLY REQUIREMENTS OTHER THAN SHOWN.



Haws

ECN NO. REMISED PER BY:	MODEL(S)	1459 KLEPPE LANE
5081		SPARKS, NEVADA, 89431
DATE: 02/13/17		(775) 359-4712 FAX (775) 359-7424
CHK'D: EV		E-MAIL: HAWS@HAWSCO.COM
DATE: 07/19/21		WEBSITE: WWW.HAWSCO.COM
SCALE: N/A	DRAWING TYPE:	INSTALLATION
APPROVED: JL		SIZE: A
		SHEET: 5 OF 7
		REVISION: 9
		PART NUMBER: 0510000490.D
		1920/1920HPS/1920W