



Haws[®]

model 1119.14HO2-1920HO

ADA Vandal-Resistant Motion-Activated Fountain and Bottle Filler

FEATURES & BENEFITS

CONSTRUCTION

Rugged ADA accessible 14 gauge Type 304 stainless steel bowls and 14 gauge Type 304 Stainless Steel bottle filler. Unit features stainless steel satin finish back panels, vandal-resistant bottom plate, and 1-1/4" integrated trap.

BOTTLE FILLER

14-gauge Type 304 stainless steel bottle filler housing with touchless operation and 1 gpm (3.78 L) laminar flow with 30-second obstruction time-out.

FOUNTAIN VALVES

Fountain incorporates touchless sensor operated stainless steel solenoid valves controlled by a transformer for hands-free operation. A pressure regulator is used to adjust the bubbler flow according to incoming water pressures.

BUBBLER HEADS

Polished chrome-plated brass bubbler heads with integral 11/16" dia. basin shank and stainless anti-rotation roll pin for vandal resistance strength. Shielded, angled stream opening provides a steady, sanitary source of drinking water at .45 gpm.

INTEGRATED TRAP

All-cast adjustable brass 1-1/4" NPT trap is internally mounted completely concealed within the fountain's bottom plate for easy installation and access.

QUALITY CONTROL

Both fountains and bottle filler are pre-built and fully water and pressure tested to ensure proper functionality.

VANDAL-RESISTANT

The bubbler heads, drain strainers and bottom plates are locked in place, discouraging unwanted vandal tampering.

OPTIONS

Mounting Plate: Model 6700, in-wall mounting plate for model 1920.

Mounting Plate: Model 6700R, on-wall mounting plate for model 1920.

Mounting Plate: Model 6700.4, in-wall mounting plate which is 36" wide by 3/16" thick solid steel that spans three studs for a heavy-duty vandal-resistant rigid installation.

Support Frame: Model 6800 In-wall floor mounted fixture support legs, welded steel 4-bolt floor flanges, and supplied with 'U' bolts and hardware.

For more information, visit www.hawsc.com or call (888) 640-4297.



REQUIRED MODELS

1119.14HO2 / 6469 / 1920HO / BP32

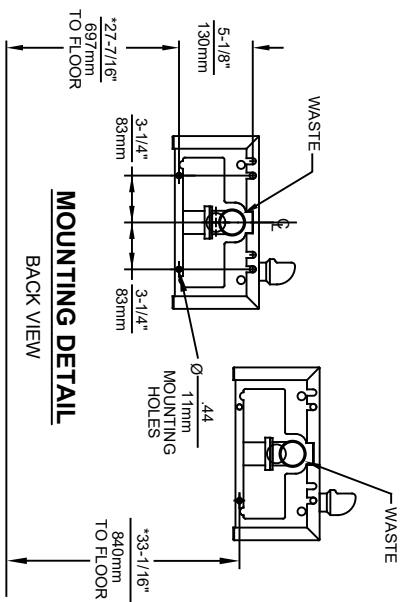
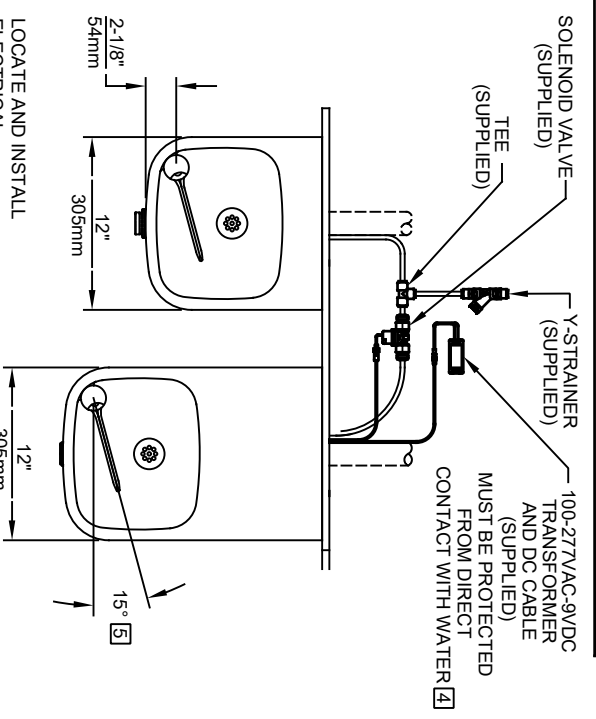
Order these items to make up model 1119.14HO2-1920 fountain and bottle filler with stainless steel back panel shown above.

FOR INDOOR USE ONLY

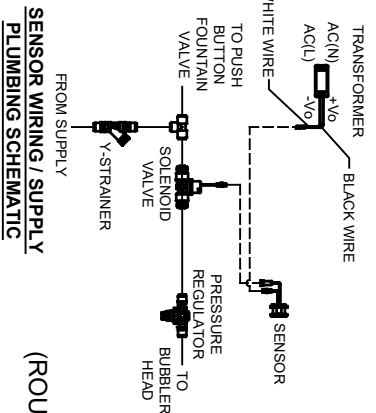
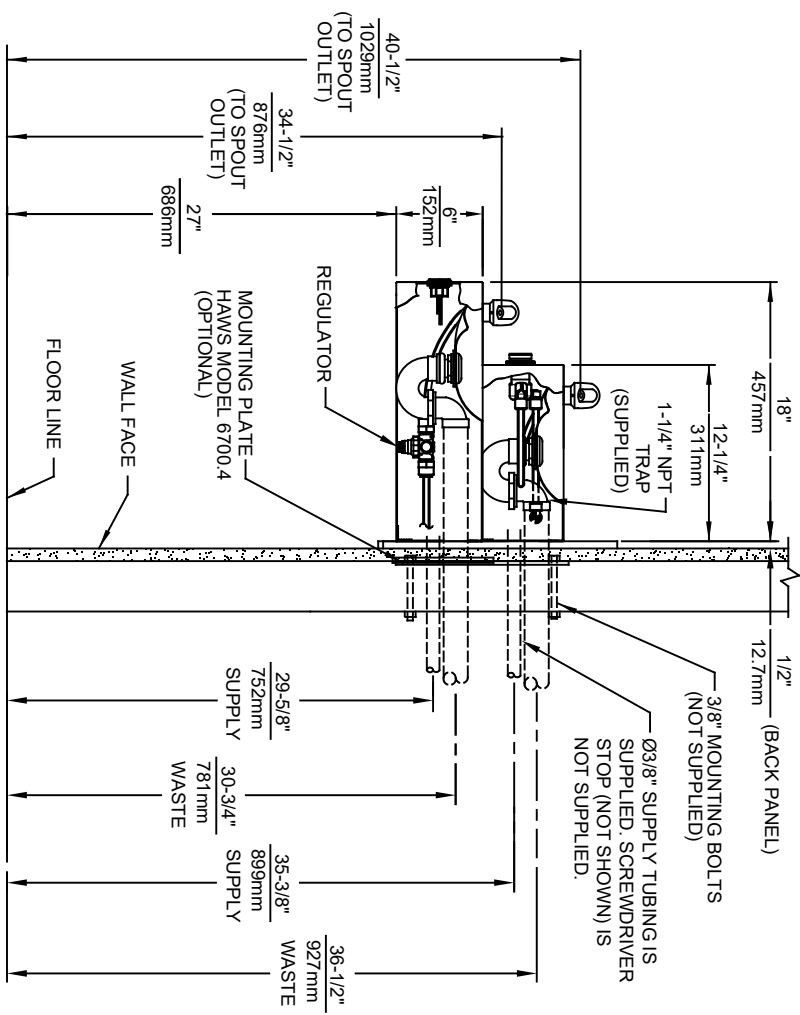
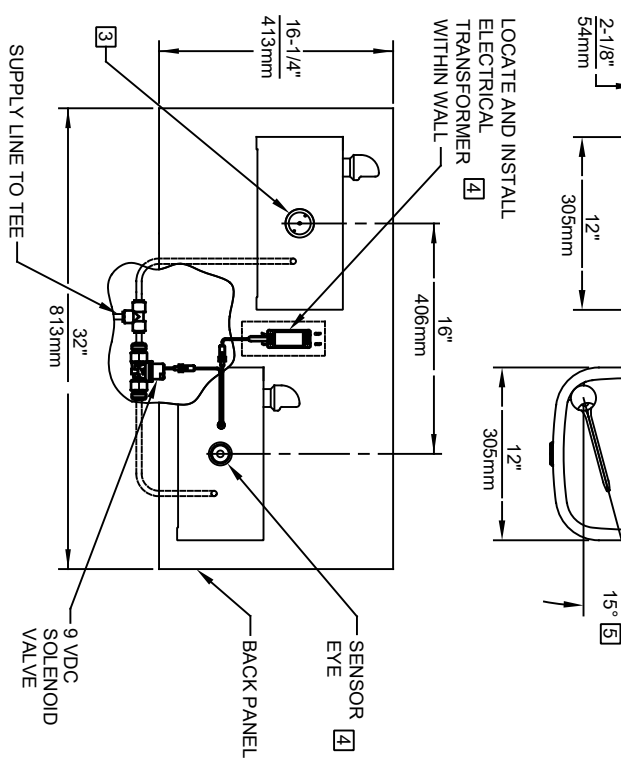
SPECIFICATIONS

Model 1119.14HO2-1920HO wall mounted vandal-resistant ADA motion activated drinking fountain and bottle filler shall include dual 14 gauge Type 304 Stainless Steel satin finish basins, 14 gauge bottle filler bracket, touchless sensor operated stainless steel solenoid valves with 30-second obstruction time-out controlled by a transformer, polished chrome-plated brass vandal-resistant bubblerheads, 1 gpm (3.78 L) laminar flow bottle filler, polished chrome-plated brass vandal-resistant waste strainers, vandal-resistant bottom plates, stainless steel satin finish back panels, high and low fountain mounting levels, and 1-1/4" NPT traps. Manufactured to be lead-free by all known definitions including NSF/ ANSI/CAN 61-Section 9, NSF/ ANSI/ CAN 372, California Proposition 65, and the Federal Safe Drinking Water Act. Product is compliant to California Health and Safety Code 116875 (AB 1953-2006), and NSF/ ANSI/CAN 61: Q ≤ 1.



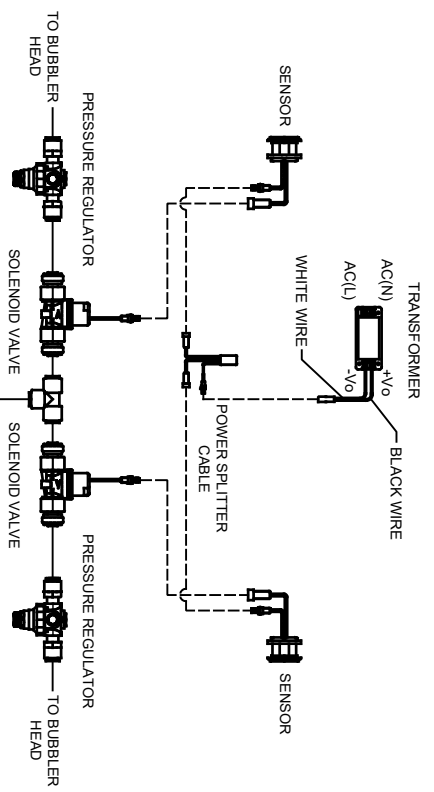
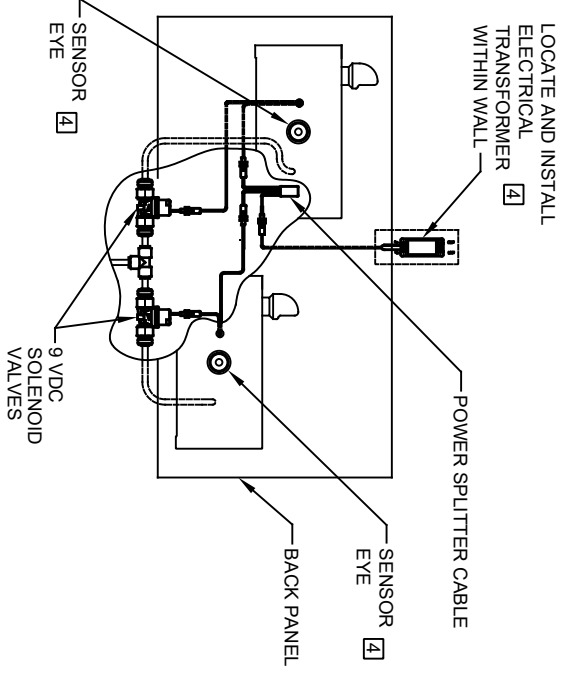
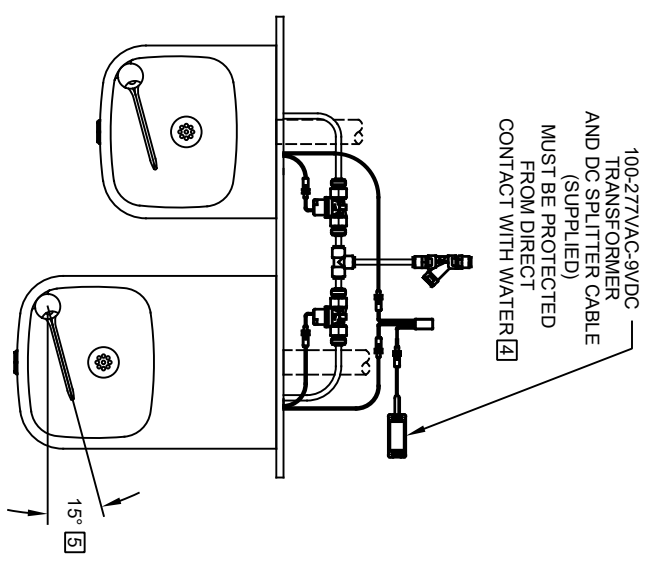


- NOTES:**
1. HOLD ROUGH-IN DIMENSIONS ± 1/4" (6.4mm).
 2. WHEN INSTALLING THIS UNIT, LOCAL, STATE, OR FEDERAL CODES SHOULD BE ADHERED TO. FOR INSTALLATION HEIGHTS OTHER THAN SHOWN, DIMENSIONS MARKED (*) MUST BE ADJUSTED ACCORDINGLY.
 3. REFER TO 5874 SERIES/VRK5874 OPERATION AND MAINTENANCE MANUAL FOR PUSH BUTTON AND VALVE INSTALLATION AND MAINTENANCE INSTRUCTIONS.
 4. REFER TO 1RKHO OR 2RKHO SERIES OPERATION INSTRUCTIONS FOR TRANSFORMER AND SENSOR SETUP.
 5. MAXIMUM ADJUSTABLE RANGE IS 15° FROM PARALLEL TO BACK OF WALL.

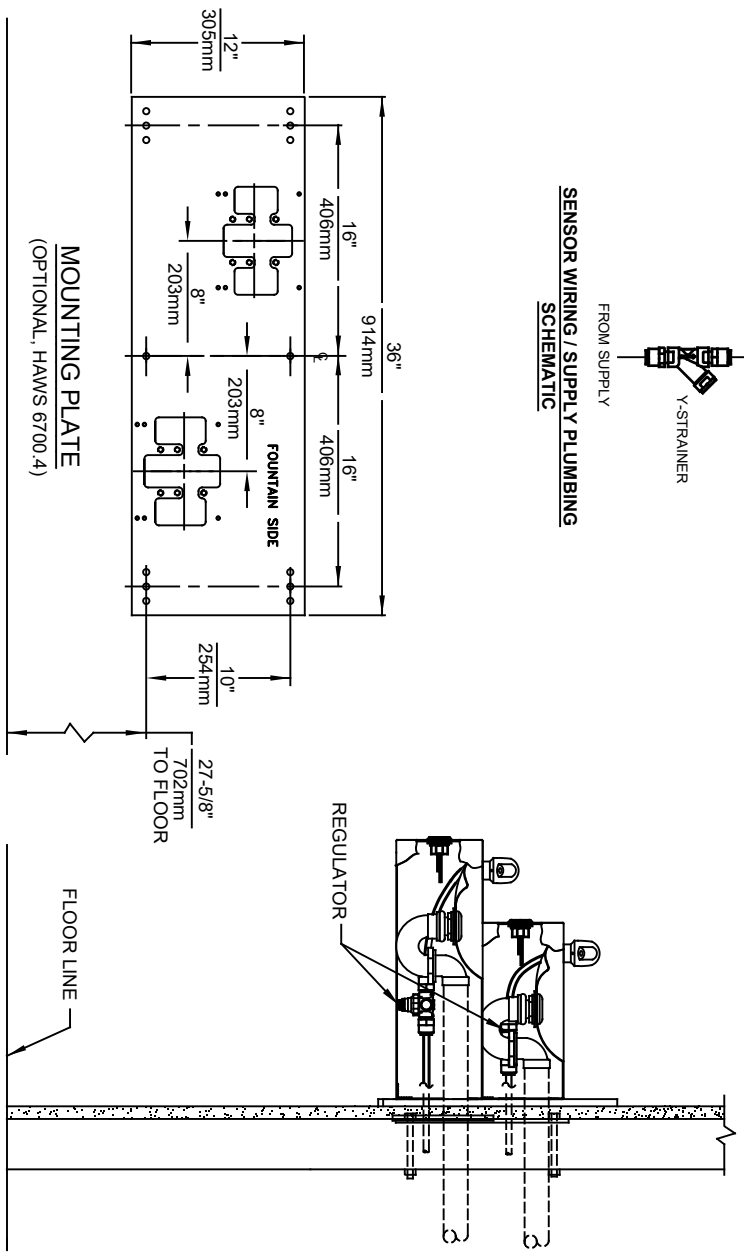


MODEL 1119, 14HO SHOWN
 MODEL 1119, 14HO2 ON SHEET 2
 (ROUGH-IN DIMENSIONS APPLY TO BOTH MODELS)

		MODEL(S)	
1456 KLEPPE LANE SPARKS, NEVADA 89431 (775) 359-4712 FAX (775) 359-7424 E-MAIL: HAWS@HAWS.CO.COM WEBSITE: WWW.HAWS.CO.COM		1119, 14HO/1119, 14HO2	
ECN NO. REVISED PER/BY:	5893	ECN 5741	FV
DATE:	05/10/21	CHKD:	B.M.W.
APPROVED:	FV	DATE:	11/1/22
SCALE:	1:14	DRAWING TYPE:	INSTALLATION
PART NUMBER	0510001203.D	REVISION	2

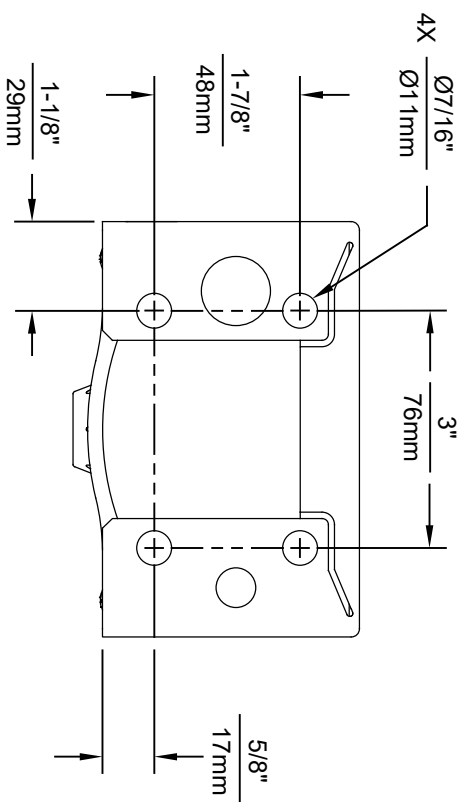
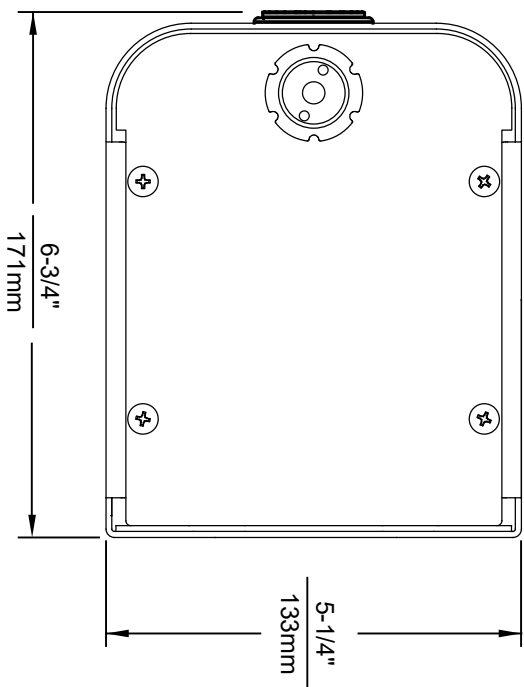
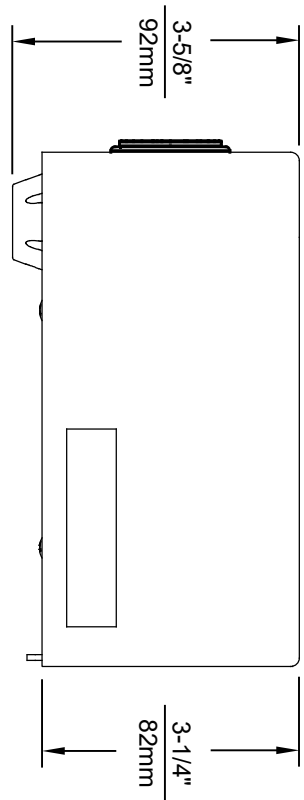


SENSOR WIRING / SUPPLY PLUMBING SCHEMATIC

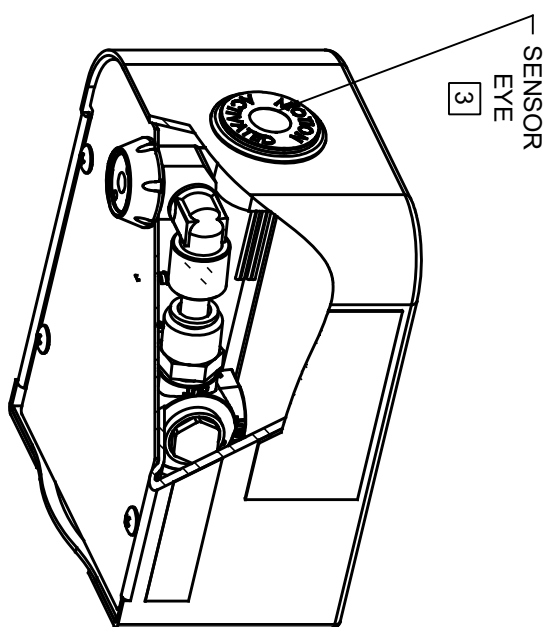


MODEL 1119, 14HO2 SHOWN
 MODEL 1119, 14HO ON SHEET 1
 (SEE SHEET 1 FOR APPLICABLE ROUGH-IN DIMENSIONS)

		MODEL(S)	
1459 KLEPPE LANE SPARKS, NEVADA 89431 (775) 359-4712 FAX (775) 359-7424 E-MAIL: HAWS@HAWSCO.COM WEBSITE: WWW.HAWSCO.COM		1119, 14HO/1119, 14HO2	
ECN NO. REVISED PER BY: 5893 EON, S741 FV	DATE: 05/10/21	DATE: 11/1/22	SCALE: 1:14
CHKD: BMW	DATE: 05/10/21	DATE: 11/1/22	DRAWING TYPE: INSTALLATION
APPROVED: FV	DATE: 11/1/22	SCALE: 1:14	DRAWING TYPE: INSTALLATION
PART NUMBER: 0510001203.D		REVISION: 2	SHEET 2 OF 2



1920HO SERIES MOUNTING HOLE LOCATIONS
(3/8" - 16 UNC MOUNTING HARDWARE NOT SUPPLIED)



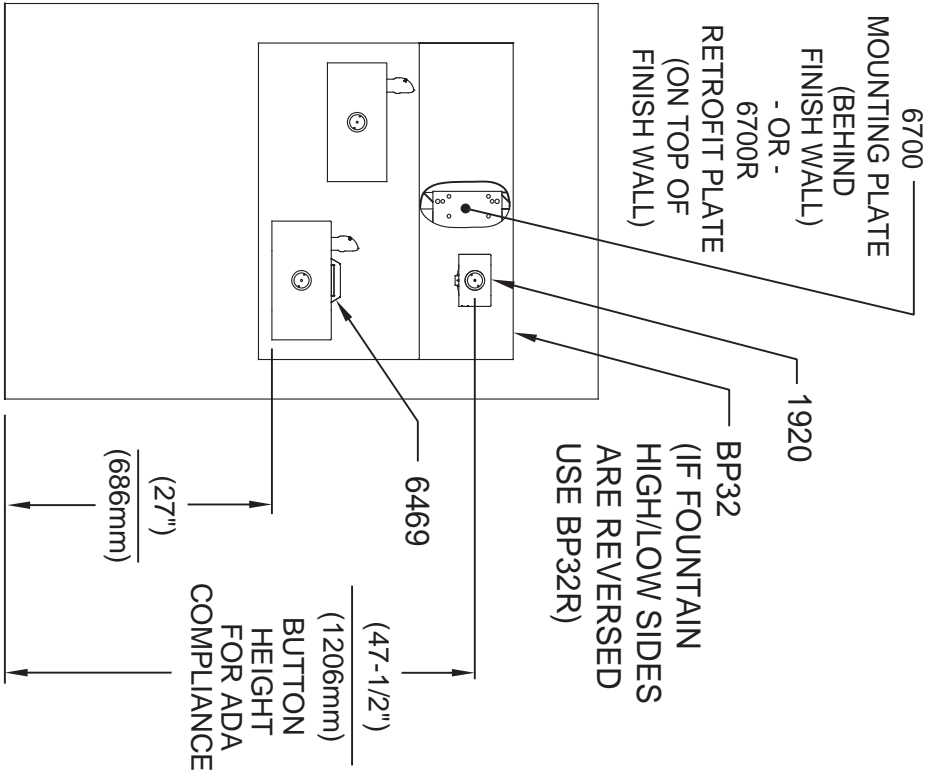
NOTES:

1. SEE SEPARATE INSTALLATION DRAWINGS FOR MOUNTING PLATES AND BACKPANELS
2. WHEN INSTALLING THIS UNIT, LOCAL, STATE OR FEDERAL CODES SHOULD BE ADHERED TO FOR INSTALLATION LOCATIONS, WASTE AND SUPPLY REQUIREMENTS OTHER THAN SHOWN.
3. REFER TO 1RKHO.H OPERATION & MAINTENANCE INSTRUCTIONS FOR SENSOR SETUP.



1455 KLEPPE LANE
SPARKS, NEVADA 89431
(775) 359-4712 FAX (775) 359-7424
E-MAIL: HAWS@HAWSCCO.COM
WEBSITE: WWW.HAWSCCO.COM

EQ. NO. REVISION	PER BY	DATE	SCALE	INSTALLATION	SIZE	SHEET
0510001063.D					A	1 OF 6
0510001063.D						4

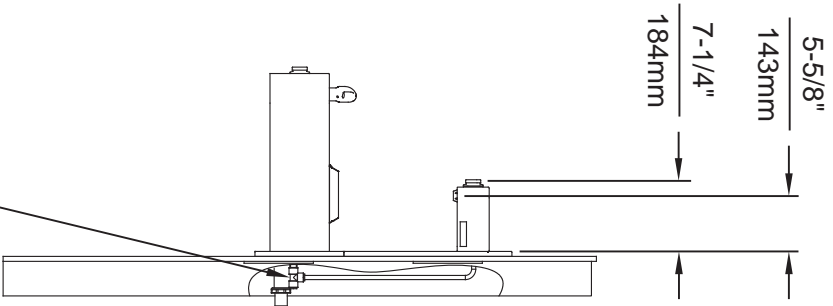
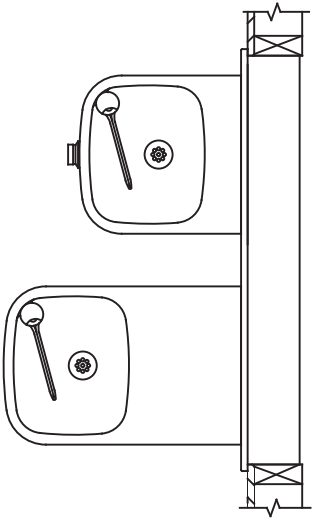


INSTALLATION ABOVE HAWES 1119, 1119.14, H1119.8

* IF YOUR FOUNTAIN IS THIS STYLE USE THESE DIMENSIONS

1. SEE SEPARATE INSTALLATION DRAWINGS FOR MOUNTING PLATES, BACKPANELS & DRIP TRAY

2. WHEN INSTALLING THIS UNIT, LOCAL, STATE OR FEDERAL CODES SHOULD BE ADHERED TO FOR INSTALLATION LOCATIONS, WASTE & SUPPLY REQUIREMENTS OTHER THAN SHOWN.



3/8" O.D. SUPPLY TUBING AND 3/8" O.D. PUSH-IN TEE SUPPLIED. (CONNECT TO FOUNTAIN SUPPLY LINE)

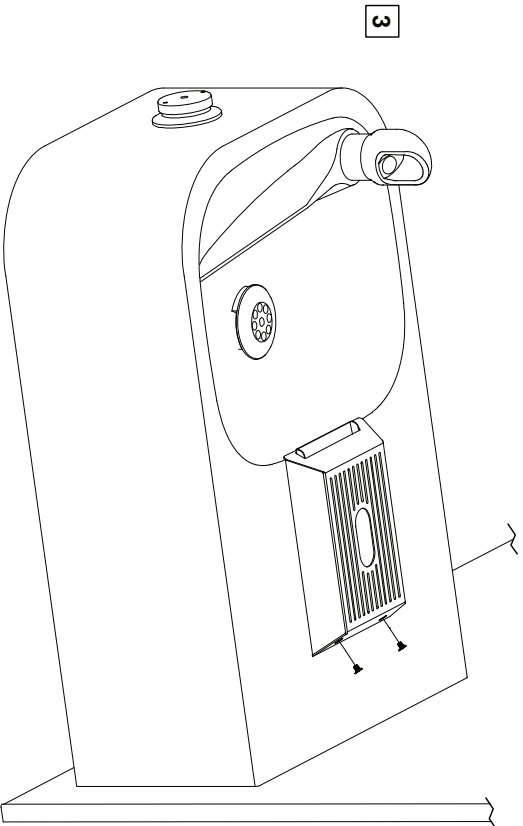
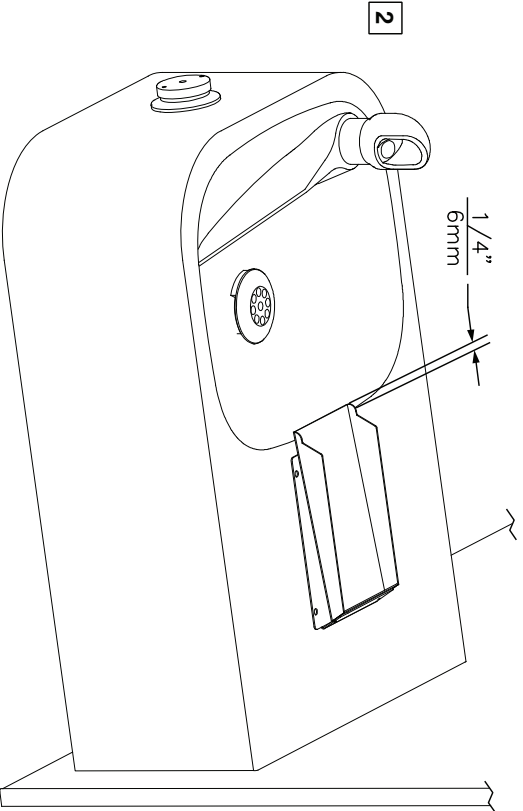
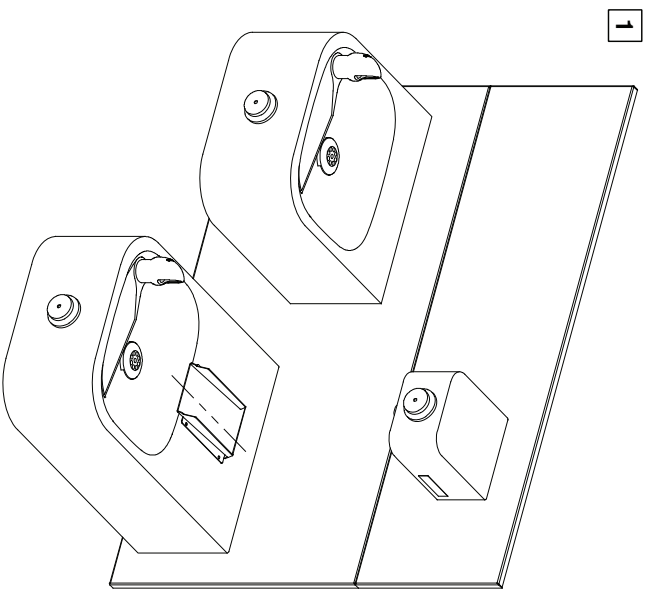
Haws

1455 KLEPPE LANE
SPARKS, NEVADA 89431
(775) 359-4712 FAX (775) 359-7424
E-MAIL: HAWS@HAWS.CO.COM
WEBSITE: WWW.HAWS.CO.COM

EQ. NO. REVISED PER BY: MODEL(S)
 5031 ECU:SS50 F.V.
 DRAWN: DATE: CHG: 1920/1920HPS
 1/15/07 DP
 APPROVED: DATE: SCALE: N/A DRAWING TYPE: INSTALLATION SIZE: A SHEET 3 OF 6
 PART NUMBER: 0510000490.D
 REVISION: 6

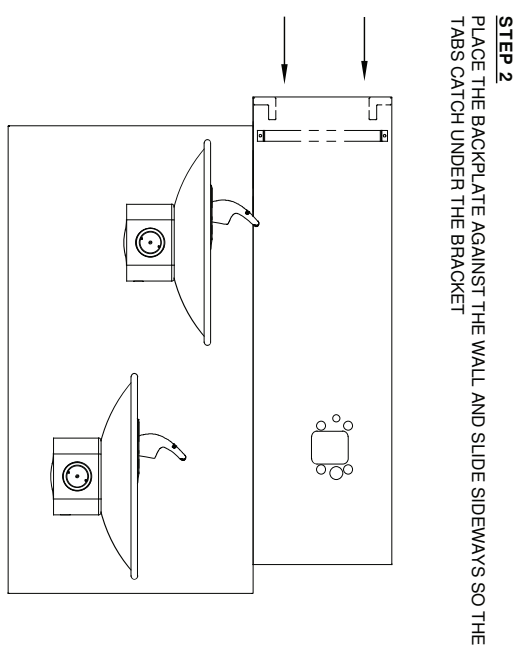
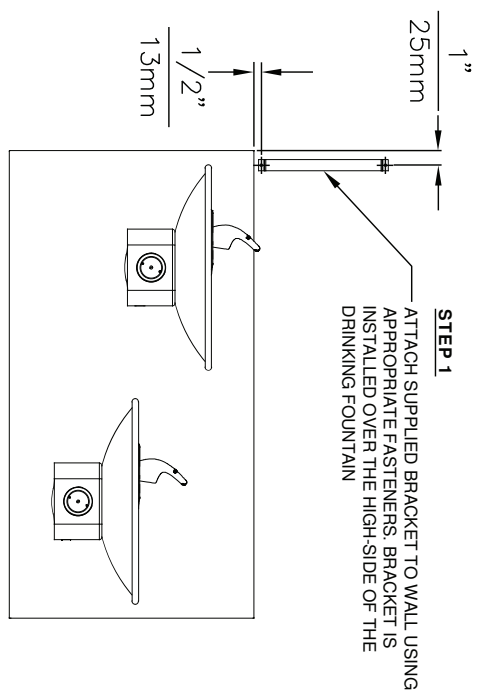
6469 BOTTLE FILLER DRIP TRAY INSTALLATION

1. THE 6469 BOTTLE FILLER DRIP TRAY ALLOWS THE INSTALLATION OF THE 1920 BOTTLE FILLER OVER HAWS 1109/1119 MODEL DRINKING FOUNTAINS. CENTER THE LOWER DRAIN PAN ALONG THE CENTERLINE OF THE FOUNTAIN.
2. EXTEND THE FRONT EDGE OF THE LOWER DRAIN PAN OVER THE EDGE OF THE FOUNTAIN BOWL BY APPROXIMATELY 1/4" (6mm). IT IS RECOMMENDED TO TEMPORARILY TAPE THE DRAIN PAN IN PLACE, INSTALL THE TOP COVER, AND ACTIVATE THE BOTTLE FILLER TO VERIFY THE WATER STREAM IS ALIGNED TO THE INLET HOLE. VERIFY THE LIP OF THE TOP COVER HANGS OVER THE EDGE OF THE FOUNTAIN BOWL.
3. MARK THE DRAIN PAN HOLE LOCATIONS ON THE FOUNTAIN. THE DRAIN PAN CAN NOW BE PERMANENTLY INSTALLED USING AN APPROPRIATE FASTENING METHOD (FASTENERS NOT SUPPLIED). FASTENING OPTIONS INCLUDE THRU BOLTS, RIVETS, TACK WELDS, AND DOUBLE-SIDED FOAM TAPE. INSTALL THE TOP COVER AND SECURE TO THE DRAIN PAN WITH THE SUPPLIED 4-40 FLATHEAD SCREWS.



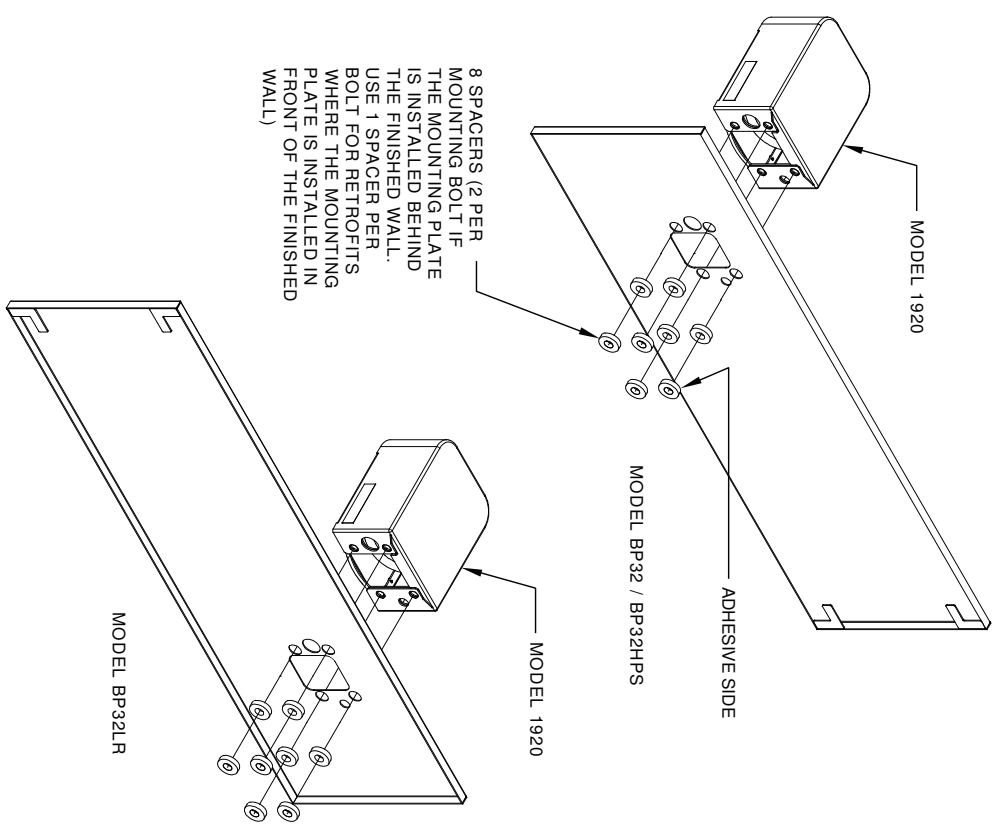
		Haws	
1455 KLEPPE LANE SPARKS, NEVADA 89431 (775) 358-4712 FAX (775) 359-7424 E-MAIL: HAWS@HAWSCO.COM WEBSITE: WWW.HAWSCO.COM			
CON. NO. 5150	REVISED PER BY: MJ	MODEL(S)	
DRAWN: MJ	DATE: 01/10/17	DRAWING: 6469 BOTTLE FILLER DRIP TRAY	
APPROVED: TV	DATE: 01/10/17	SCALE: 1:4	DRAWING TYPE: INSTALLATION
PART NUMBER: 0510000657.D		REVISION: 1	
SIZE: A		SHEET 1 OF 1	

THIS DOCUMENT IS TRUE AND CORRECT AT TIME OF PUBLICATION. CONTINUED PRODUCT IMPROVEMENTS MAKE SPECIFICATIONS AND MEASUREMENTS SUBJECT TO CHANGE WITHOUT NOTICE.




STEP 3
INSTALL THE BOTTLE FILLER PER THE INSTRUCTIONS SUPPLIED WITH THE UNIT

NOTES:
1. WHEN INSTALLING THIS UNIT, LOCAL, STATE OR FEDERAL CODES SHOULD BE ADHERED TO.



INSTALLATION OVER DOUBLE FOUNTAIN
SHOWN FROM REAR



Haws

1455 KLEPPER LANE
SPARKS, NEVADA 89431
(775) 359-4712 FAX (775) 359-7424
E-MAIL: HAWS@HAWS.CO.COM
WEBSITE: WWW.HAWS.CO.COM

ENGINEERED BY: M.J.	MODEL(S)	PART NUMBER
DRAWN BY: E.C./C.R.	DRAWING, BACK PANEL SPACER INST, BF	0310000493.D
DATE: 02/27/17	SCALE: 1:1	REVISION 2
APPROVED BY: F.V.	DRAWING TYPE: INSTALLATION	SHEET 2 OF 2

©2017 Haws Corporation - All Rights Reserved. HAWS® and other trademarks used in these materials are the exclusive property of Haws Corporation.