



Haws®

model 1117LNHO-1920HO

ADA Vandal-Resistant Motion-Activated/Push Button Fountain and Touchless Bottle Filler

FEATURES & BENEFITS

ADA COMPLIANCE

ADA-compliant bottle filling station and dual-height high low drinking fountain required for wheel chair use, and for the standing person.

CONSTRUCTION

One-piece drinking fountains with low-profile design made of 14 gauge Type 304 stainless steel with 1/4" (.6 cm) thick stainless back plates welded in, and vandal resistant stainless bottom plates.

FOUNTAIN VALVES

Fountain incorporates touchless sensor operated stainless steel solenoid valves controlled by a transformer on the bottle filler and on one side of the fountain, and a pushbutton activated valve which offers the only all stainless-steel valve body that is machined out of solid bar stock and is fully serviceable through the front of the push button assembly offering access to the water control cartridge and integral water supply strainer on the other.

BOTTLE FILLER

Vandal-resistant, 14-gauge Type 304 stainless steel bottle filler housing with touchless operation and 1 gpm (3.78 L) laminar flow.

BUBBLER HEAD

Polished chrome-plated brass bubbler head with integral 11/16" dia. basin shank and stainless anti-rotation roll pin for vandal resistance strength. Shielded, angled stream opening provides a steady, sanitary source of drinking water at .45 gpm.

INTEGRATED TRAP

All cast brass 1-1/4" NPT adjustable traps completely concealed inside bottom plates for easy installation and lack of unwanted access.

VANDAL-RESISTANT

The bubbler heads, push button, drain strainers and bottom plates are locked in place, discouraging unwanted vandal tampering.

OPTIONS

Mounting Plate: Model 6700, in-wall mounting plate for model 1920HO.

Mounting Plate: Model 6700.4, in-wall mounting plate for model 1117LN.

Mounting Plate: Model 6700R, on-wall mounting plate for model 1920HO.

Support Frame: Model 6800 In-wall floor mounted fixture support legs, welded steel 4-bolt floor flanges, and supplied with 'U' bolts and hardware.



REQUIRED MODELS

1117LNHO / 1920HO / BP32

Order these items to make up Model 1117LNHO-1920HO dual fountain, stainless steel touchless bottle filler and stainless steel back panels shown above.

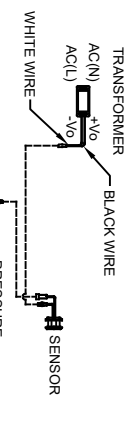
FOR INDOOR USE ONLY

SPECIFICATIONS

Model 1117LNHO-1920HO low profile vandal-resistant wall mounted ADA push button/motion-activated drinking fountain and bottle filler shall include dual 14 gauge Type 304 Stainless Steel satin finish basins with integral 1/4" (.6 cm) thick stainless steel back plates, touchless sensor operated solenoid valves with 30-second obstruction time-out on the bottle filler and on one side of the fountain, and a vandal-resistant push-button operated stainless steel valve with front-accessible cartridge and flow adjustment on the other, in-line strainer and flow adjustment provide 100% lead free waterways, polished chrome plated brass vandal-resistant bubbler heads, 1 gpm (3.78 L) laminar flow bottle filler, polished chrome-plated brass vandal-resistant waste strainers, vandal-resistant bottom plates, stainless steel satin finish back panels, and 1-1/4" NPT concealed all cast-brass traps. The patented design allows the unit to be mounted to meet ADA or Child ADA specifications. Manufactured to be lead-free by all known definitions including NSF/ ANSI/CAN 61-Section 9, NSF/ANSI/ CAN 372, California Proposition 65, and the Federal Safe Drinking Water Act. Product is compliant to California Health and Safety Code 116875 (AB 1953-2006), and NSF/ ANSI/CAN 61: Q ≤ 1.



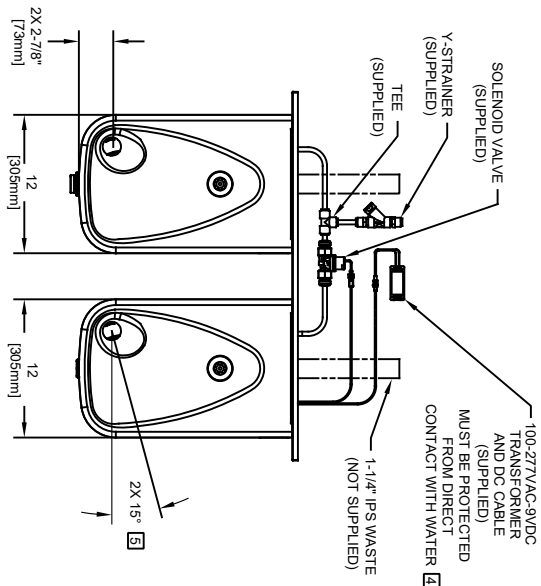
- NOTES:
1. HOLD ROUGH-IN DIMENSIONS $\pm 1/8"$ (3.2MM).
 2. WHEN INSTALLING THIS UNIT, LOCAL, STATE, OR FEDERAL CODES SHOULD BE ADHERED TO. FOR INSTALLATION HEIGHTS OTHER THAN SHOWN, DIMENSIONS MARKED (*) MUST BE ADJUSTED ACCORDINGLY.
 3. REFER TO 6874 SERIES OPERATION AND MAINTENANCE MANUAL FOR PUSH BUTTON AND VALVE INSTALLATION/MAINTENANCE INSTRUCTIONS.
 4. REFER TO 1RKH0 OR 2RKH0 SERIES OPERATION INSTRUCTIONS FOR TRANSFORMER AND SENSOR SETUP.
 5. MAXIMUM ADJUSTABLE RANGE IS 15" FROM PARALLEL TO BACK WALL.



SENSOR WIRING / SUPPLY PLUMBING SCHEMATIC

3/8" O.D. SUPPLY TUBING IS SUPPLIED. SCREWDRIVER STOP (NOT SHOWN) IS NOT SUPPLIED.

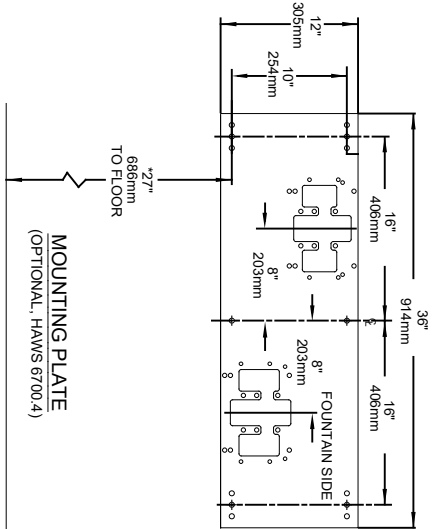
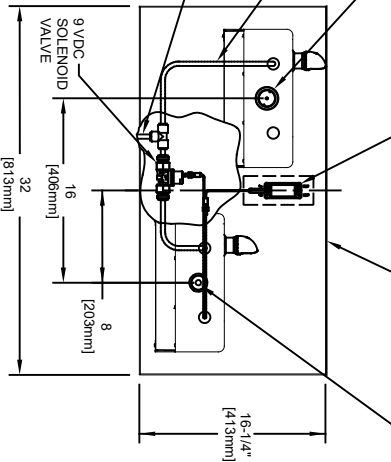
3/8" O.D. SUPPLY LINE TO TEE



LOCATE AND INSTALL ELECTRICAL TRANSFORMER WITHIN WALL

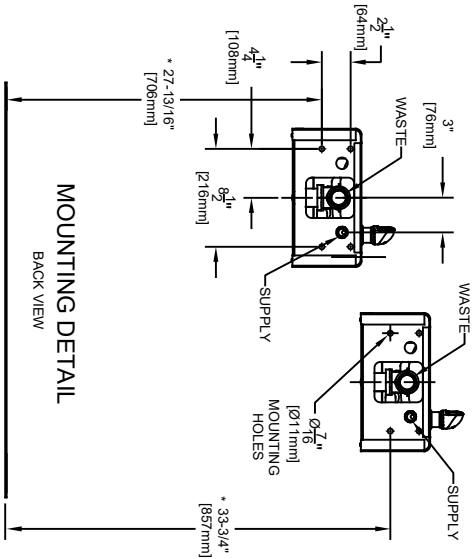
BACK PANEL (SUPPLIED)

SENSOR EYE



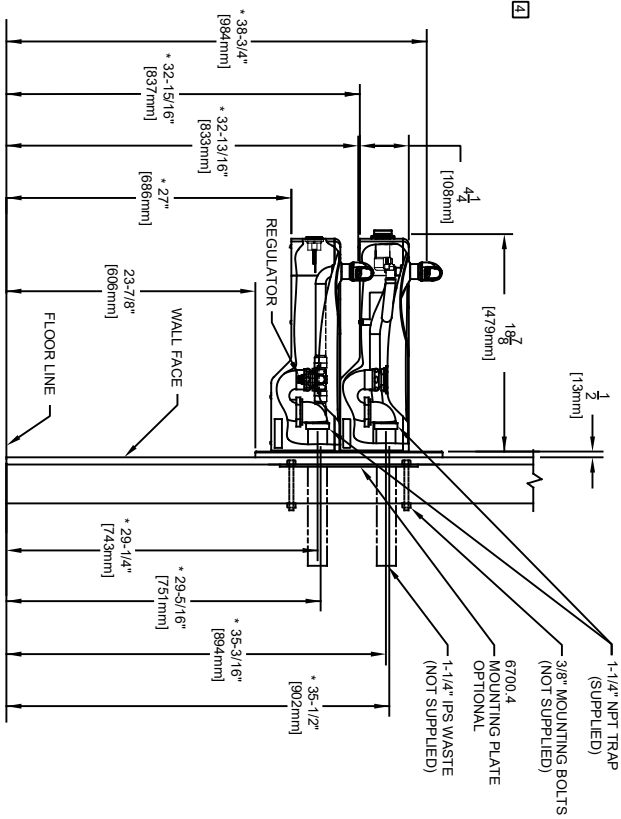
MOUNTING PLATE (OPTIONAL, HAWS 6700.4)

MODEL 1117LNHO SHOWN
MODEL 1117LNHO2 ON SHEET 2
(ROUGH-IN DIMENSIONS APPLY TO BOTH MODELS)

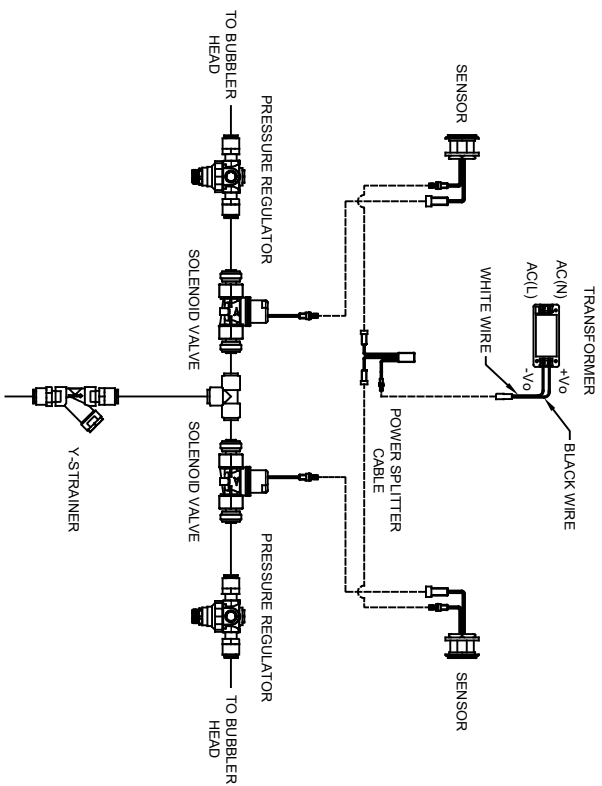
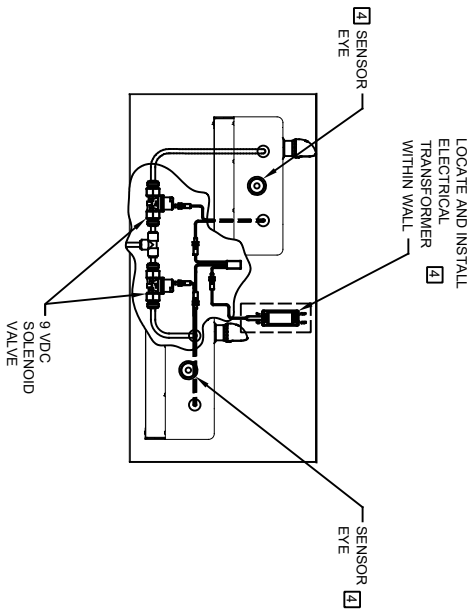
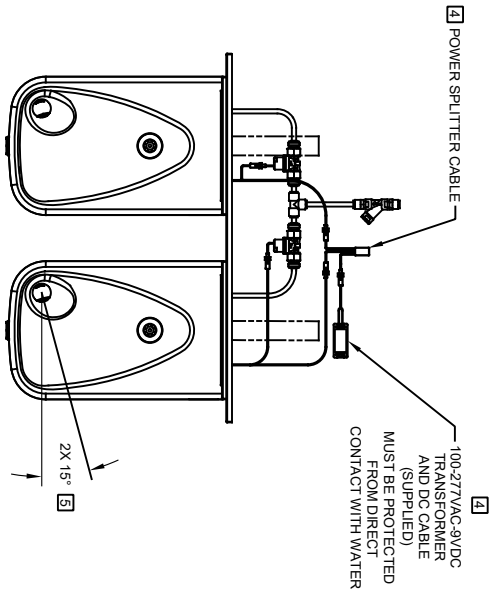


MOUNTING DETAIL

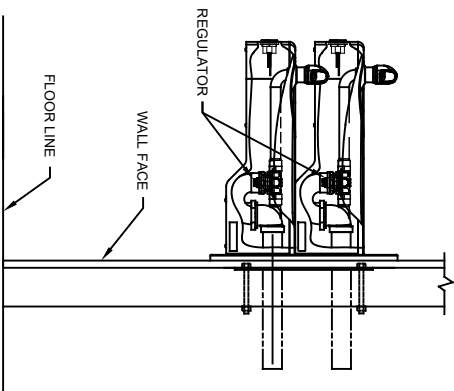
BACK VIEW



| | | | |
|-----------------------------------|--|--------------------|--|
| | | MODEL(S) | |
| 1456 KLEPPE LANE | | 1117LNHO/1117LNHO2 | |
| SPARKS, NEVADA 89431 | | INSTALLATION | |
| (775) 359-4712 FAX (775) 359-7424 | | SIZE: A | |
| E-MAIL: HAWS@HAWS.CO.COM | | SHEET 1 OF 2 | |
| WEBSITE: WWW.HAWS.CO.COM | | REVISION: 1 | |
| PART NUMBER | | 0510001210.D | |
| ECN NO. REVISED PER BY: | | DATE: 07/28/21 | |
| 5713 | | FV | |
| DRAWN: FV | | CHKD: DP | |
| APPROVED: FV | | SCALE: 1:2 | |
| DATE: 07/28/21 | | DRAWING TYPE: | |

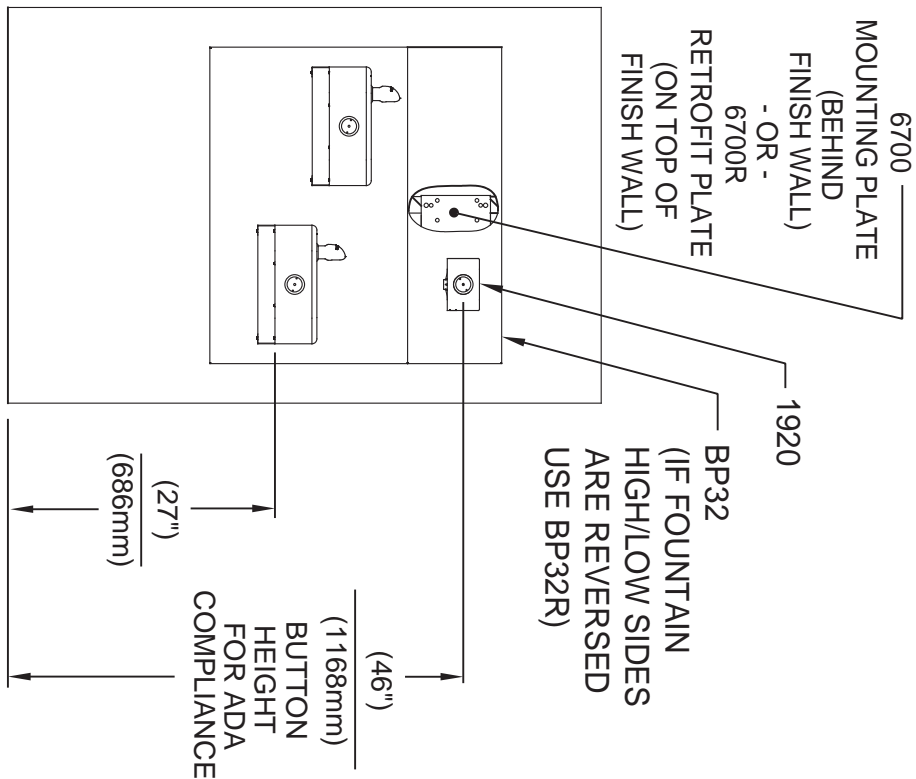


SENSOR WIRING / SUPPLY PLUMBING SCHEMATIC



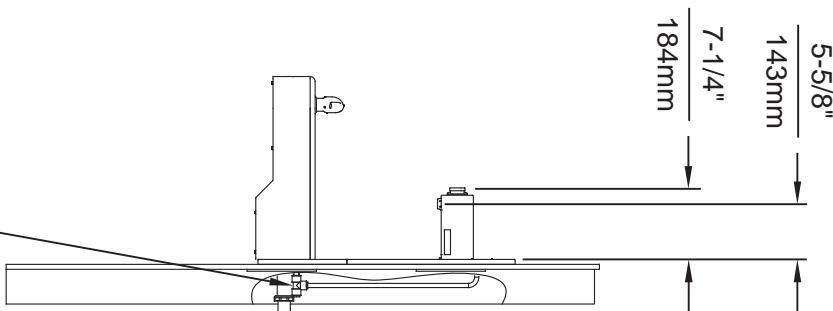
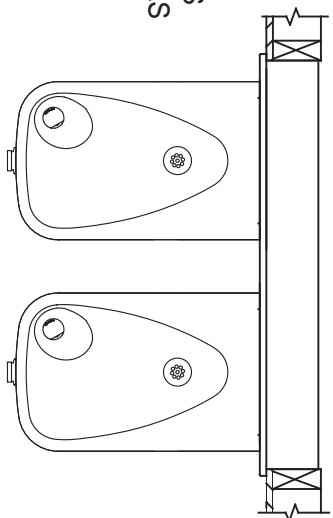
MODEL 1117NLH02 SHOWN
 MODEL 1117LNHO ON SHEET 1
 (SEE SHEET 1 FOR APPLICABLE ROUGH-IN DIMENSIONS)

| | | | |
|---|---------|--------------------|----------|
| | | MODEL(S) | |
| 1459 KLEPPE LANE SPARKS, NEVADA 89431 (775) 359-4712 FAX (775) 359-7424 E-MAIL: HAWS@HAWSCO.COM WEBSITE: WWW.HAWSCO.COM | | 1117LNHO/1117LNHO2 | |
| ECN NO. REVISED PERBY: | 5713 FV | DATE: | 07/28/21 |
| CHKD: | DP | DATE: | 07/28/21 |
| APPROVED: | FV | SCALE: | 1:2 |
| DRAWING TYPE: | | INSTALLATION | |
| SIZE: | | A | |
| SHEET: | | 2 OF 2 | |
| PART NUMBER: | | 0510001210.D | |
| REVISION: | | 1 | |



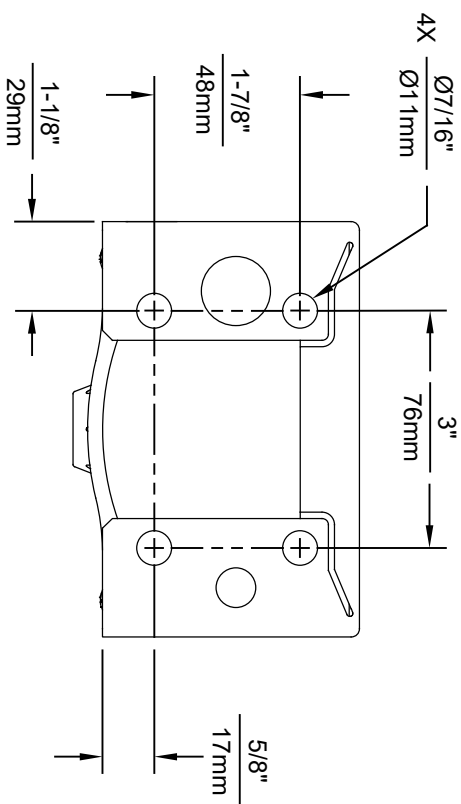
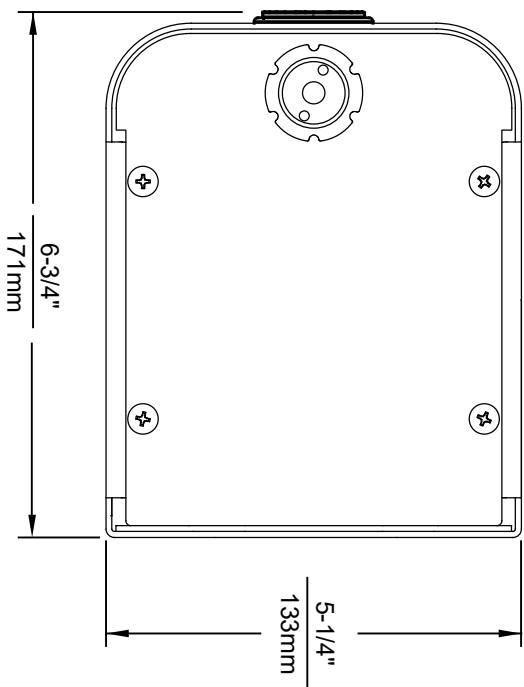
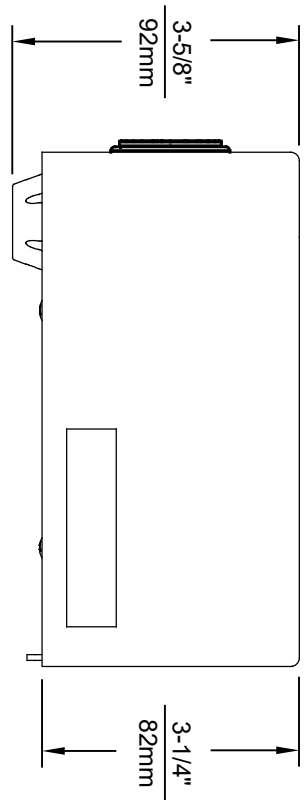
* IF YOUR FOUNTAIN IS THIS STYLE USE THESE DIMENSIONS

1. SEE SEPARATE INSTALLATION DRAWINGS FOR MOUNTING PLATES AND BACKPANELS
2. WHEN INSTALLING THIS UNIT, LOCAL, STATE OR FEDERAL CODES SHOULD BE ADHERED TO FOR INSTALLATION LOCATIONS, WASTE & SUPPLY REQUIREMENTS OTHER THAN SHOWN.

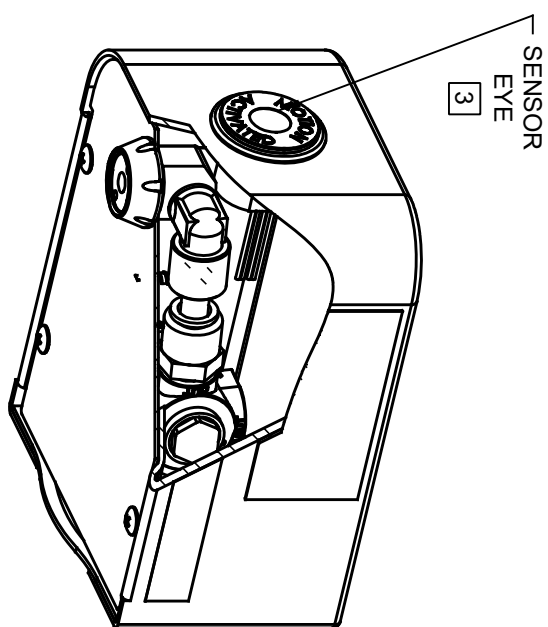


3/8" O.D. SUPPLY TUBING AND 3/8" O.D. PUSH-IN TEE SUPPLIED. (CONNECT TO FOUNTAIN SUPPLY LINE)

| | | | |
|-------------------------|----------------|---|----------------------------|
| | | Haws | |
| EQ# NO. REVISED PER BY: | MODEL(S) | 1455 KLEPPE LANE SPARKS, NEVADA 89431 (775) 359-4712 FAX (775) 359-7424 E-MAIL: HAWS@HAWS.CO.COM WEBSITE: WWW.HAWS.CO.COM | |
| DRAWN BY: F.V. | DATE: 06/14/20 | SCALE: N/A | DRAWING TYPE: INSTALLATION |
| DATE: 06/14/20 | SCALE: N/A | DRAWING TYPE: INSTALLATION | SIZE: A |
| DATE: 06/14/20 | SCALE: N/A | DRAWING TYPE: INSTALLATION | SHEET 4 OF 6 |
| DATE: 06/14/20 | SCALE: N/A | DRAWING TYPE: INSTALLATION | REVISION 6 |
| DATE: 06/14/20 | SCALE: N/A | DRAWING TYPE: INSTALLATION | PART NUMBER 0510000490.D |



1920HO SERIES MOUNTING HOLE LOCATIONS
(3/8" - 16 UNC MOUNTING HARDWARE NOT SUPPLIED)



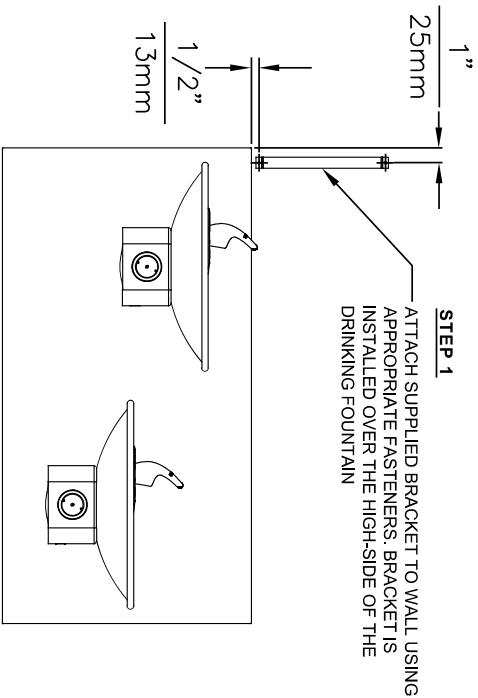
NOTES:

1. SEE SEPARATE INSTALLATION DRAWINGS FOR MOUNTING PLATES AND BACKPANELS
2. WHEN INSTALLING THIS UNIT, LOCAL, STATE OR FEDERAL CODES SHOULD BE ADHERED TO FOR INSTALLATION LOCATIONS, WASTE AND SUPPLY REQUIREMENTS OTHER THAN SHOWN.
3. REFER TO 1920HO OPERATION & MAINTENANCE INSTRUCTIONS FOR SENSOR SETUP.

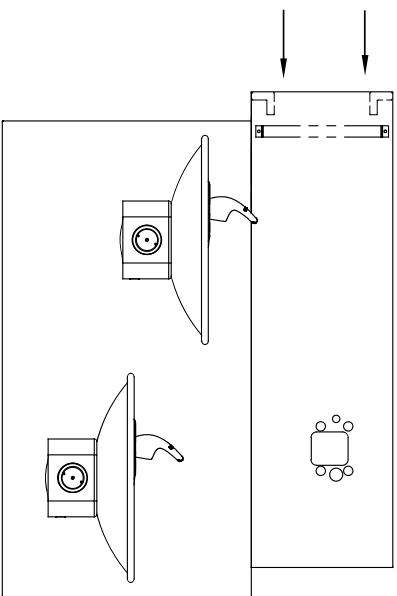


1455 KLEPPE LANE
SPARKS, NEVADA 89431
(775) 359-4712 FAX (775) 359-7424
E-MAIL: HAWS@HAWSCCO.COM
WEBSITE: WWW.HAWSCCO.COM

| | | |
|--------------------------|--------------------------|--------------|
| EQ. NO. REVISIONS PER BY | MODEL(S) | PART NUMBER |
| 5274 | 1920HO/1920HPSHO/1920WHO | 0510001063.D |
| DATE | SCALE | REVISION |
| 05/19/21 | N/A | 4 |
| APPROVED: B.M. | DRAWING TYPE | SHEET 1 OF 6 |
| | INSTALLATION | |



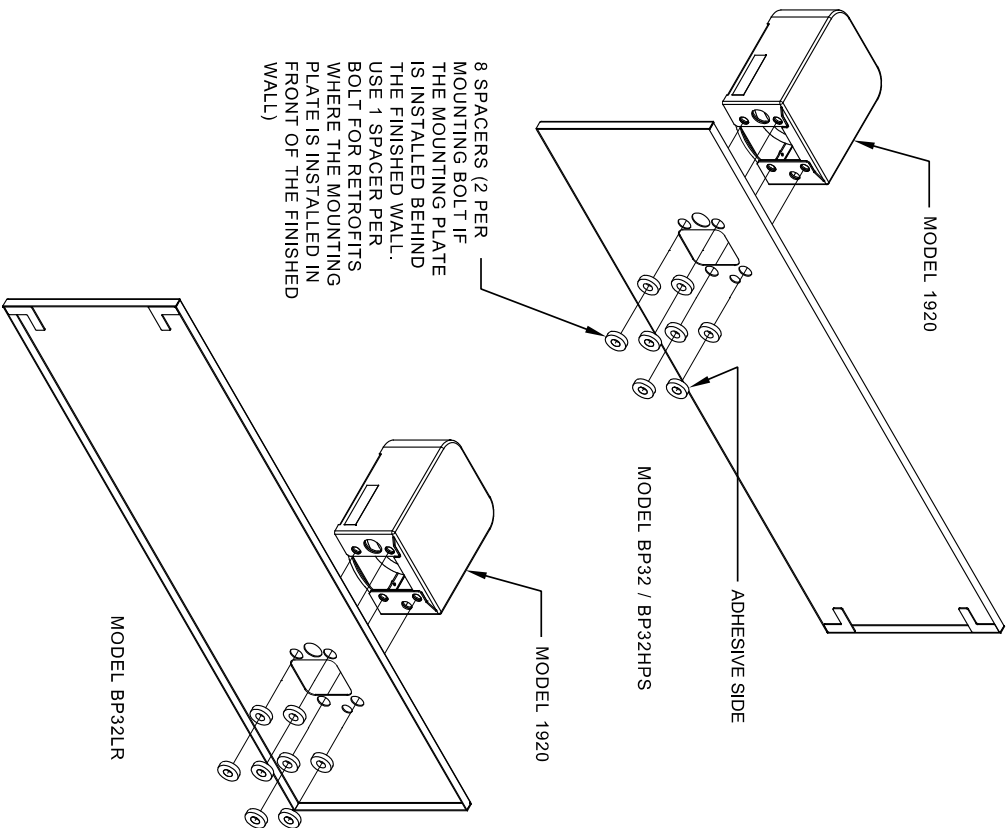
STEP 1
ATTACH SUPPLIED BRACKET TO WALL USING APPROPRIATE FASTENERS. BRACKET IS INSTALLED OVER THE HIGH-SIDE OF THE DRINKING FOUNTAIN



STEP 2
PLACE THE BACKPLATE AGAINST THE WALL AND SLIDE SIDEWAYS SO THE TABS CATCH UNDER THE BRACKET

STEP 3
INSTALL THE BOTTLE FILLER PER THE INSTRUCTIONS SUPPLIED WITH THE UNIT

NOTES:
1. WHEN INSTALLING THIS UNIT, LOCAL, STATE OR FEDERAL CODES SHOULD BE ADHERED TO.



8 SPACERS (2 PER MOUNTING BOLT IF THE MOUNTING PLATE IS INSTALLED BEHIND THE FINISHED WALL. USE 1 SPACER PER BOLT FOR RETROFITS WHERE THE MOUNTING PLATE IS INSTALLED IN FRONT OF THE FINISHED WALL)

INSTALLATION OVER DOUBLE FOUNTAIN SHOWN FROM REAR

| | | | |
|-------------------------------------|--|----------------------------|--|
| | | MODEL(S) | |
| DRAWING, BACK PANEL SPACER INST, BF | | PART NUMBER | |
| 0510000493.D | | REVISION | |
| 2 | | 2 OF 2 | |
| SCALE: 1:1 | | DRAWING TYPE: INSTALLATION | |
| DATE: 02/27/17 | | DATE: 02/27/17 | |
| CHECKED: FV | | APPROVED: FV | |
| DRAWN: ML | | ECON. #172 | |
| 5081 | | ECON. #172 | |
| ECON. #172 | | ECON. #172 | |
| 5081 | | ECON. #172 | |

1455 KLEPPE LANE
SPARKS, NEVADA, 89431
(775) 358-4712 FAX (775) 358-7424
E-MAIL: HAWS@HAWSCO.COM
WEBSITE: WWW.HAWSCO.COM