

FEATURES & BENEFITS

CONSTRUCTION

Rugged ADA accessible 18 gauge Type 304 Stainless Steel swirl design bowls, 14 gauge Type 304 Stainless Steel brackets and bottle filler, and vandal-resistant bottom plates provides a long lasting unit with added peace of mind.

BOTTLE FILLER

Vandal-resistant, 14-gauge Type 304 stainless steel bottle filler housing with touchless operation and 1 gpm (3.78 L) laminar flow.

VANDAL RESISTANT

The bubbler heads, push button, round bowls, drain strainers and bottom plates are locked in place, discouraging unwanted vandal tampering, and 30-second obstruction time-out to reduce tampering of sensor.

BUBBLER HEADS

Polished chrome-plated brass bubbler heads with integral laminar flow prevents splashing while providing a superior flow pattern. The integral 11/16" basin shank and stainless anti-rotational roll pin add vandal resistance strength. Shielded, angled stream opening provides a steady, sanitary source of drinking water at .45 gpm.

FOUNTAIN VALVES

Fountain incorporates touchless sensor operated stainless steel solenoid valves controlled by a transformer on the bottle filler and on one side of the fountain, and a pushbutton activated valve which offers the only all stainless-steel valve body that is machined out of solid bar stock and is fully serviceable through the front of the push button assembly offering access to the water control cartridge and integral water supply strainer on the other.

MOUNTING

Galvanized frame and 10 gauge surface plate provide the maximum mounting strength for the 'Hi-Lo' MS style Haws drinking fountains.

OPTIONS

- Mounting Plate: Model 6700R, on-wall mounting plate for model 1920.
- Mounting Plate: Model 6700, in-wall mounting plate for model 1920.
- Bottle Filler Stand: Model BTL1001, add-on stainless steel stand to place bottle on when 1920 bottle filler is used.
- Fountain Skirt: Model SK3, stainless steel cane touch skirt for installation on high unit in some applications that may need to comply with ADA protruding objects guidelines.

For more information, visit www.hawscos.com or call (888) 640-4297.



REQUIRED MODELS

1011MSHO / MTGFR.DF2 / 1920HO / BP32

Order these items to make up Model 1011MSHO-1920HO fountain with stainless steel back panel, bottle filler with stainless steel back plate, and fountain mounting frame shown above.

FOR INDOOR USE ONLY

SPECIFICATIONS

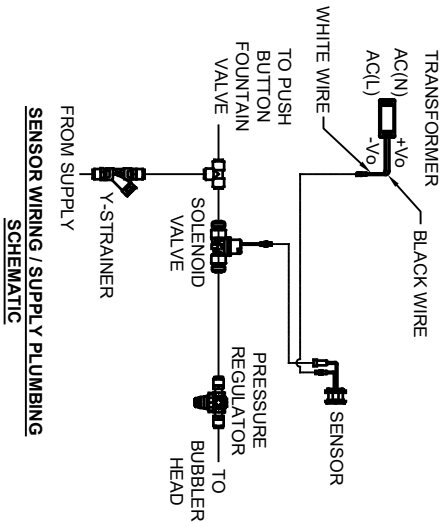
Model 1011MSHO-1920HO ADA vandal-resistant wall mounted motion-activated drinking fountain and bottle filler shall include dual 18-gauge Type 304 Stainless Steel basins with integral swirl design, 14 gauge Type 304 Stainless Steel wall brackets and bottle filler bracket, in-wall mounting frame with lower access panel allowing for front access of P-trap and stop, 100% lead-free waterways, touchless sensor operated solenoid valves with 30-second obstruction time-out on the bottle filler and on one side of the fountain, and a vandal-resistant push-button operated stainless-steel valve with front-accessible cartridge and flow adjustment on the other, polished chrome-plated brass vandal resistant bubbler heads with integral laminar anti-squirt flow, 1gpm (3.78L) laminar flow bottle filler, chrome-plated brass vandal-resistant waste strainers, high and low fountain mounting levels, stainless steel satin finish back panels, and 1-1/4" O.D. (3.2 cm) waste pipes. Manufactured to be lead-free by all known definitions including NSF/ ANSI/CAN 61-Section 9, NSF/ANSI/ CAN 372, California Proposition 65, and the Federal Safe Drinking Water Act. Product is compliant to California Health and Safety Code 116875 (AB 1953-2006), and NSF/ ANSI/CAN 61: Q ≤ 1.

The bottle filler requires a mounting plate; either the Haws model 6700 in-wall or the 6700R on-wall support plate.

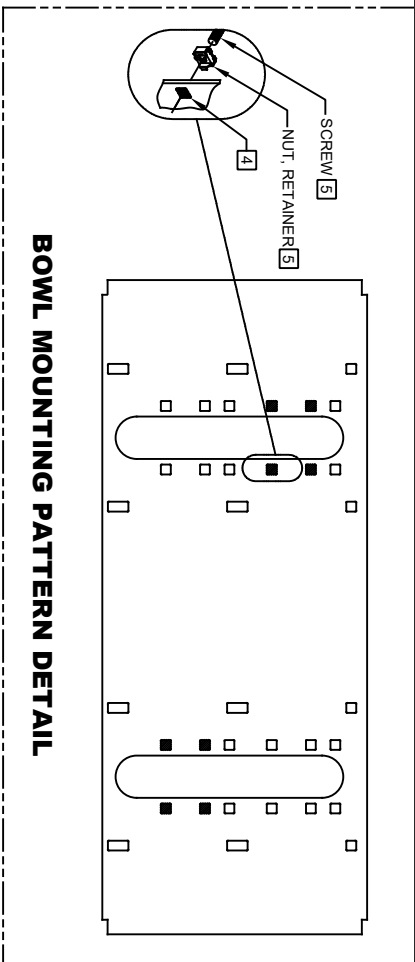


NOTES:

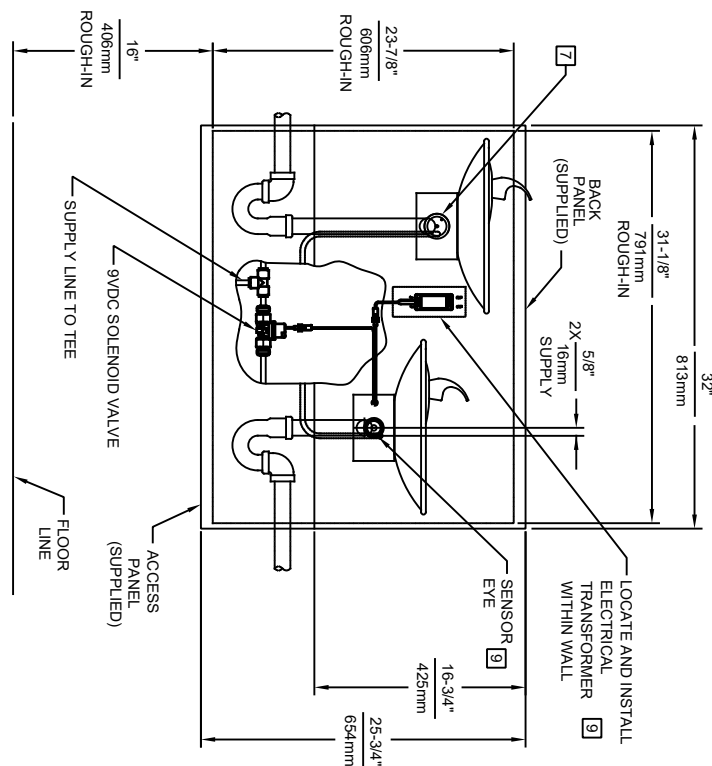
1. HOLD ROUGH-IN DIMENSIONS ±1/8" (3.2mm).
2. WHEN INSTALLING THIS UNIT, LOCAL, STATE, OR FEDERAL CODES SHOULD BE ADHERED TO FOR DIMENSIONS (LOCATIONS), WASTE AND SUPPLY REQUIREMENTS OTHER THAN SHOWN.
3. INSTALLER MUST PROVIDE TRAP (NOT SUPPLIED) FOR PROPER INSTALLATION.
4. HOLE COMBINATION SHOWN IS FOR USE WITH LOW FOUNTAIN ON THE RIGHT AND HIGH FOUNTAIN ON THE LEFT. USE OPPOSITE HOLES FOR HIGH ON RIGHT AND LOW ON LEFT.
5. TO CHANGE FOUNTAIN MTG. SCREW LOCATIONS: FIRST REMOVE SCREWS AND THEN SQUEEZE CLIPS ON NUT RETAINER TO POP OUT. SNAP INTO NEW POSITIONS FROM BACKSIDE AND RE-ASSEMBLE SCREWS.
6. IMPORTANT: A L.H. LOW (OPTIONAL) CONFIGURATION WILL REQUIRE A DIFFERENT BACK PANEL AND THE WASTE AND SUPPLY DIMENSIONS SHOWN (*) MUST BE REVERSED.
7. REFER TO 5874 SERIES OPERATION AND MAINTENANCE MANUAL FOR PUSH BUTTON AND VALVE INSTALLATION/MAINTENANCE INSTRUCTIONS.
8. REMOVE VALVE FROM PUSH BUTTON TO INSTALL WASTE ELBOW ONTO BOWL. AFTER WASTE ELBOW IS INSTALLED, REINSTALL VALVE AND ADJUST FLOW.
9. REFER TO 1RKH0H & 2RKH0H OPERATION AND MAINTENANCE INSTRUCTIONS FOR TRANSFORMER AND SENSOR SETUP.



SENSOR WIRING / SUPPLY PLUMBING SCHEMATIC



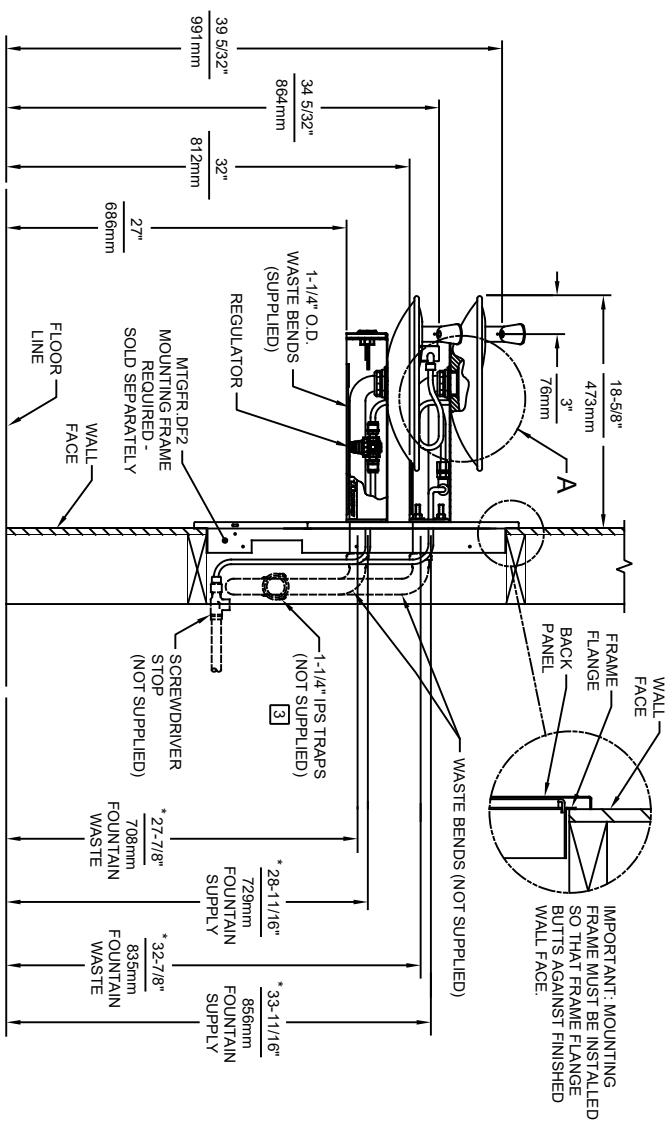
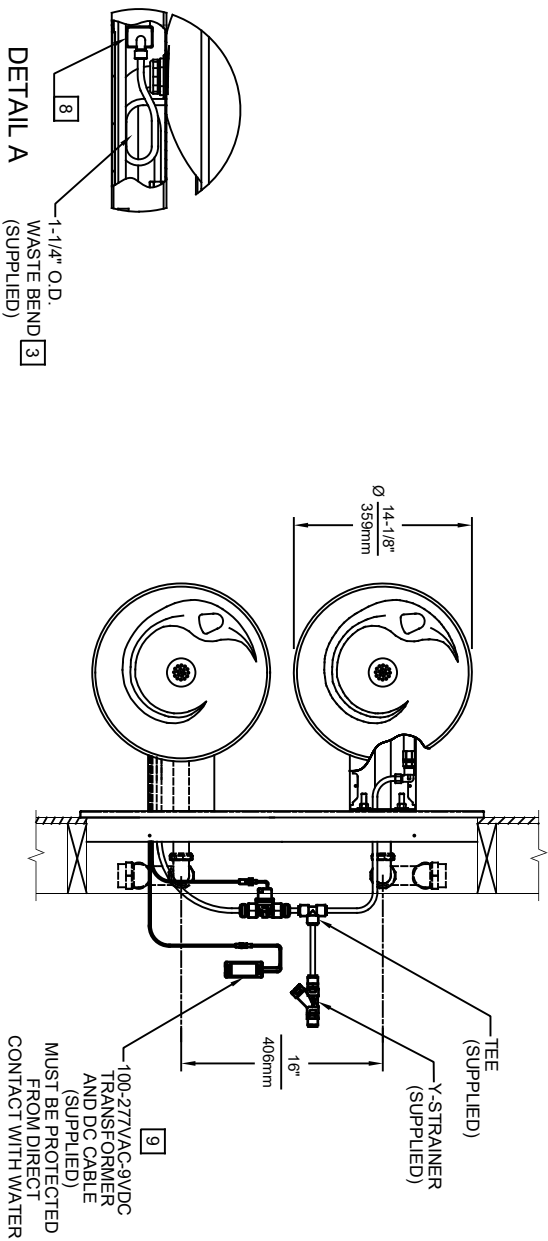
BOWL MOUNTING PATTERN DETAIL




MODEL 1011MSHO SHOWN
 MODEL 1011MSHO2 ON SHEET 3
 (ROUGH-IN DIMENSIONS APPLY TO BOTH MODELS)

1456 KLEPPE LANE
 SPARKS, NEVADA 89431
 (775) 359-4712 FAX (775) 359-7424
 E-MAIL: HAWS@HAWS.CO.COM
 WEBSITE: WWW.HAWS.CO.COM

ECN NO. REVISED PER BY: MODEL(S)
 5701 ECN: 5701 FV: CHKD: 1011MSHO/1011MSHO2
 DRAWN: DATE: 05/27/21 FV: DP: 1011MSHO/1011MSHO2
 APPROVED: DATE: 06/02/21 SCALE: 1:16 DRAWING TYPE: INSTALLATION SHEET 1 OF 3
 PART NUMBER: 0510001206.D
 REVISION: 1



MODEL 1011MSHO SHOWN
 MODEL 1011MSHO2 ON SHEET 3
 (ROUGH-IN DIMENSIONS APPLY TO BOTH MODELS)

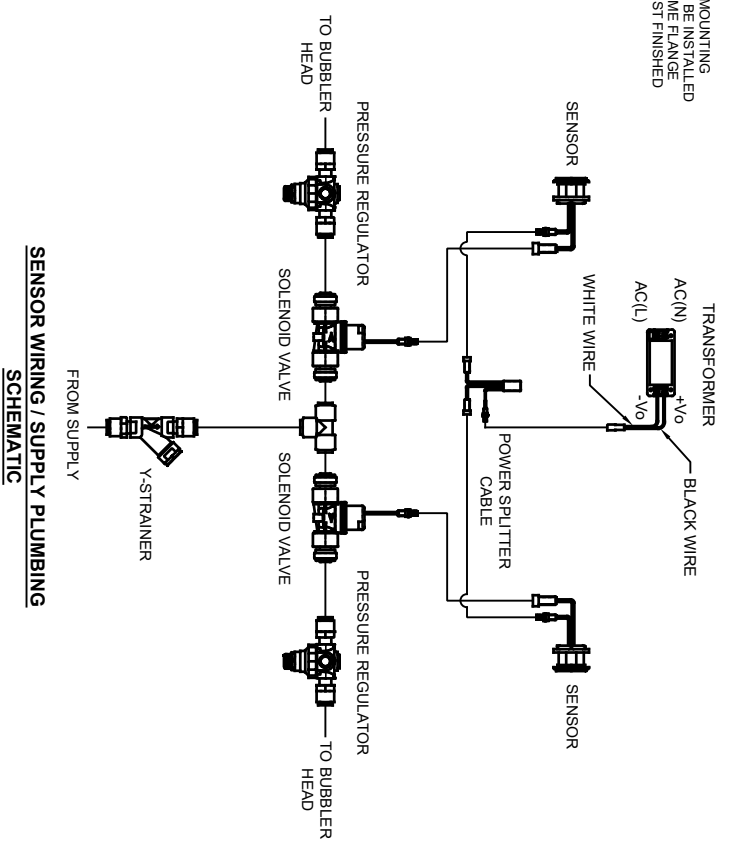
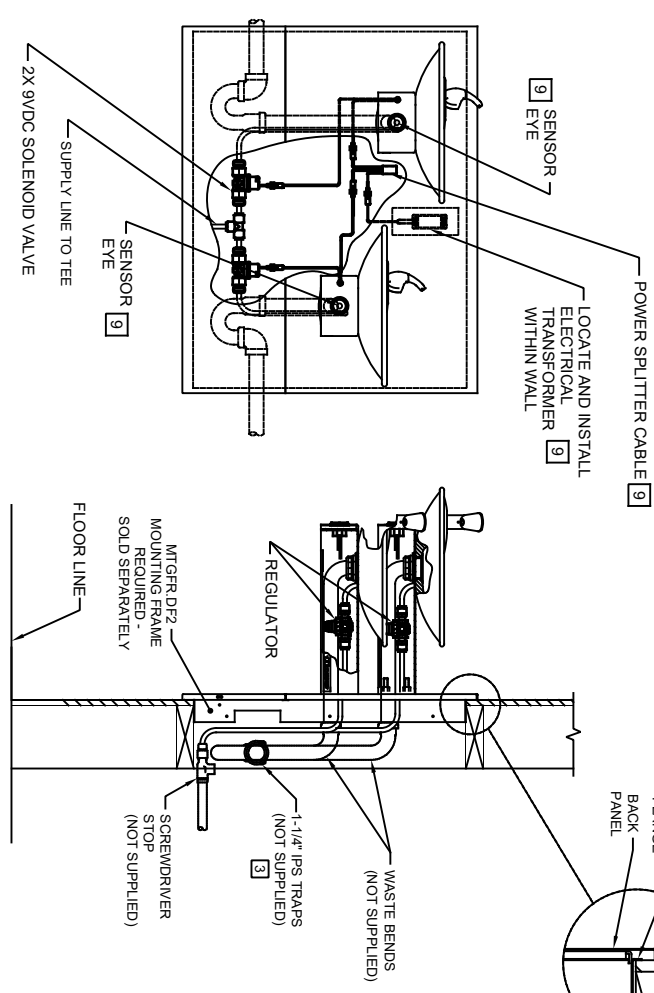
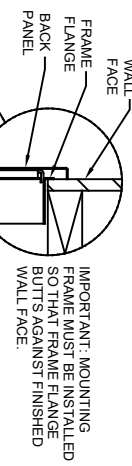
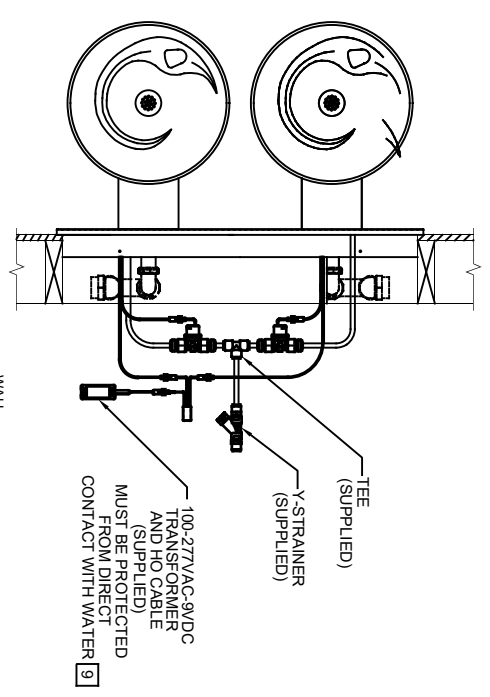


Haws

1459 KLEPPE LANE
 SPARKS, NEVADA, 89431
 (775) 359-4712 FAX (775) 359-7424
 E-MAIL: HAWS@HAWSCO.COM
 WEBSITE: WWW.HAWSCO.COM

ECN NO. REVISED PER BY:	MODEL(S)
5701 ECN: 5701	1011MSHO/1011MSHO2
DATE: 05/31/21	
CHKD: DP	
APPROVED: FV	
DATE: 06/02/21	
SCALE: 1:16	DRAWING TYPE:
	INSTALLATION:
	SIZE: A
	SHEET 2 OF 3

PART NUMBER	0510001206.D
REVISION	1



MODEL 1011MSHO2 SHOWN
 MODEL 1011MSHO ON SHEETS 1 AND 2
 (SEE SHEETS 1 AND 2 FOR APPLICABLE ROUGH-IN DIMENSIONS)

1459 KLEPPE LANE
 SPARKS, NEVADA 89431
 (775) 359-4712 FAX (775) 359-7424
 E-MAIL: HAWS@HAWSCO.COM
 WEBSITE: WWW.HAWSCO.COM

ECN NO. 5701
 ECN. 5701
 DATE: 06/01/21
 CHK'D: DP
 APPROVED: FV

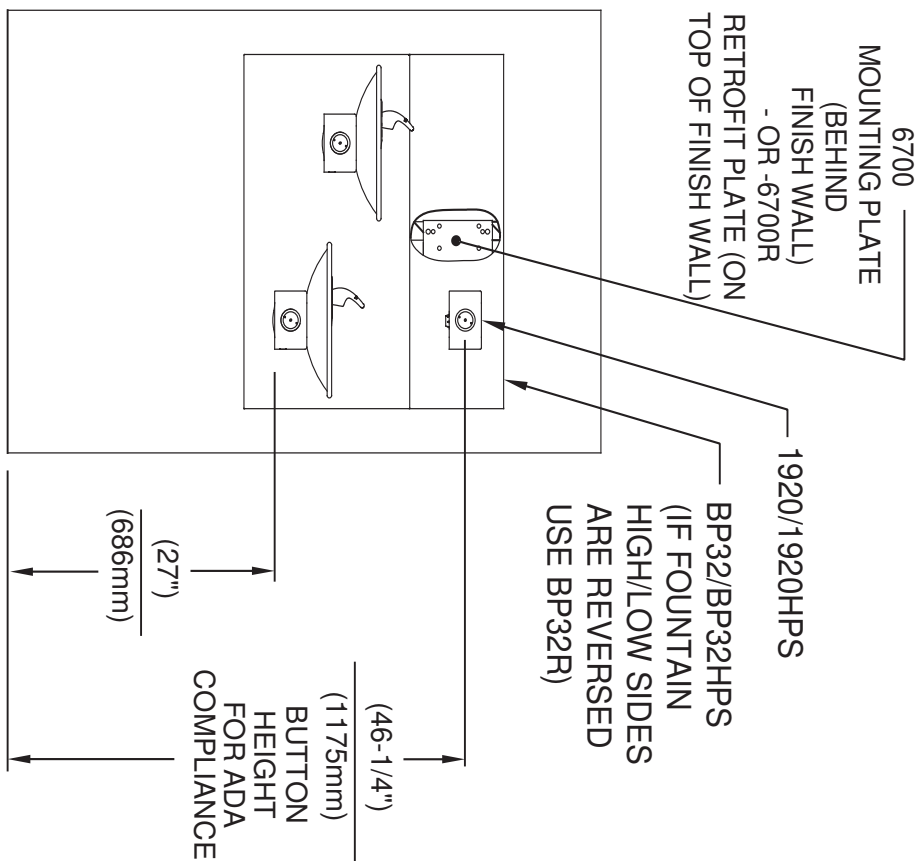
REVISION PERBY: FV
 DATE: 06/01/21
 CHK'D: DP
 APPROVED: FV

MODEL(S)
 1011MSHO/1011MSHO2

PART NUMBER
 0510001206.D

REVISION
 1

SCALE: 1:1 DRAWING TYPE: INSTALLATION SIZE: A SHEET 3 OF 3

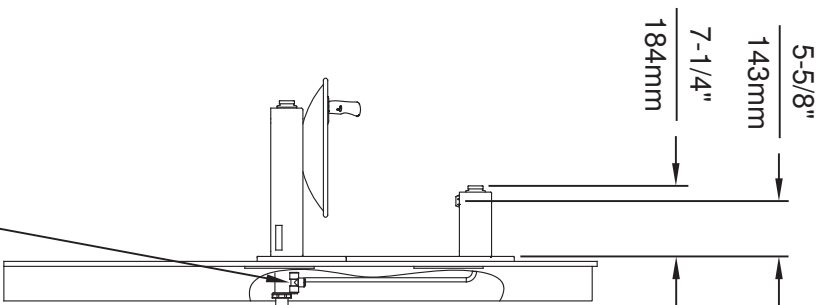
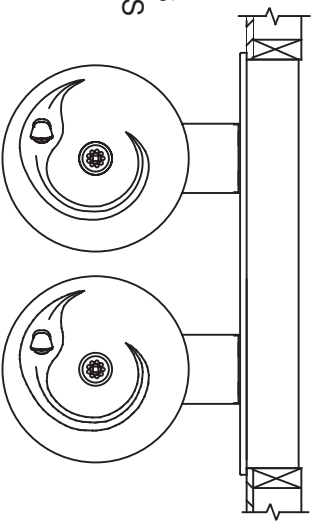


INSTALLATION ABOVE HAWS 1011, 1011HPS, 1011HPSMS, 1011MS, H1011.8, H1011.8HO, H1011.8HPS

* IF YOUR FOUNTAIN IS THIS STYLE USE THESE DIMENSIONS

1. SEE SEPARATE INSTALLATION DRAWINGS FOR MOUNTING PLATES AND BACKPANELS

2. WHEN INSTALLING THIS UNIT, LOCAL, STATE OR FEDERAL CODES SHOULD BE ADHERED TO FOR INSTALLATION LOCATIONS, WASTE & SUPPLY REQUIREMENTS OTHER THAN SHOWN.

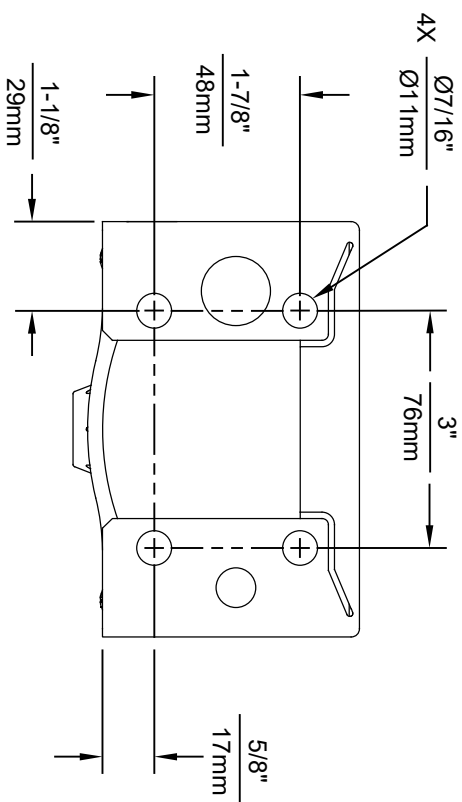
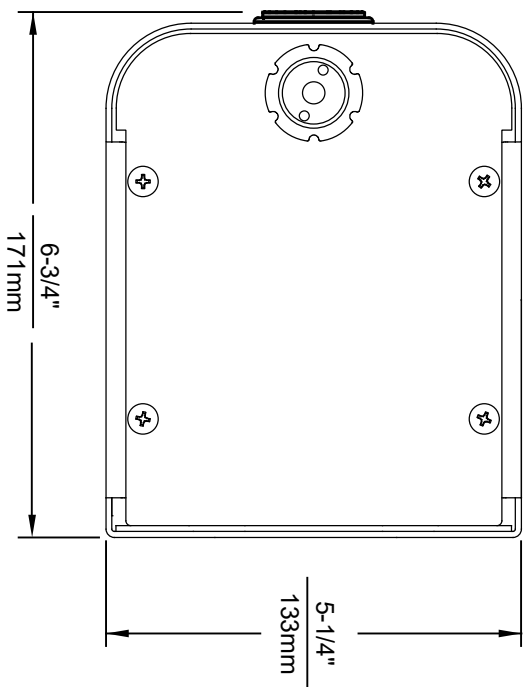
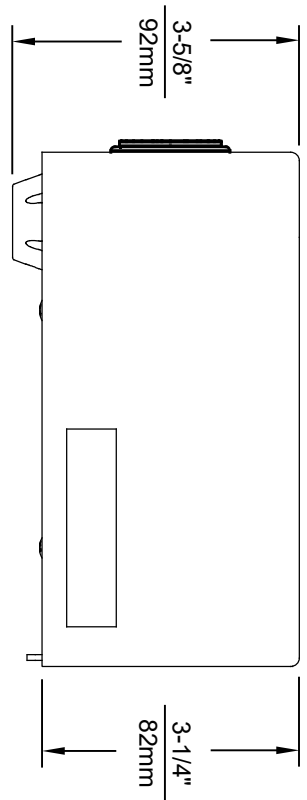


3/8" O.D. SUPPLY TUBING AND 3/8" O.D. PUSH-IN TEE SUPPLIED. (CONNECT TO FOUNTAIN SUPPLY LINE)

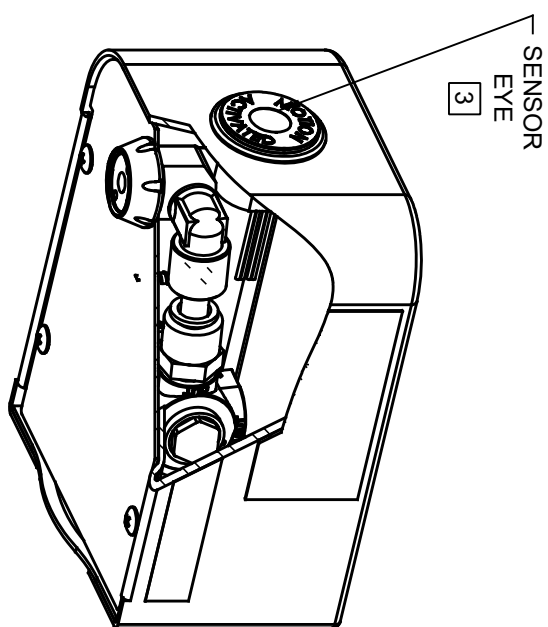
Haws

1455 KLEPPE LANE
SPARKS, NEVADA 89431
(775) 359-4712 FAX (775) 359-7424
E-MAIL: HAWS@HAWS.CO.COM
WEBSITE: WWW.HAWS.CO.COM

EQ. NO.	REVISED PER BY:	MODEL(S)	PART NUMBER
5301	F.V.	1920/1920HPS	0510000490.D
DRAWN	DATE:	SCALE: N/A	REVISION
DATE:	DATE:	DRAWING TYPE: INSTALLATION	6
APPROVED:	DATE:	SCALE: N/A	SHEET 2 OF 6



1920HO SERIES MOUNTING HOLE LOCATIONS
(3/8" - 16 UNC MOUNTING HARDWARE NOT SUPPLIED)



NOTES:

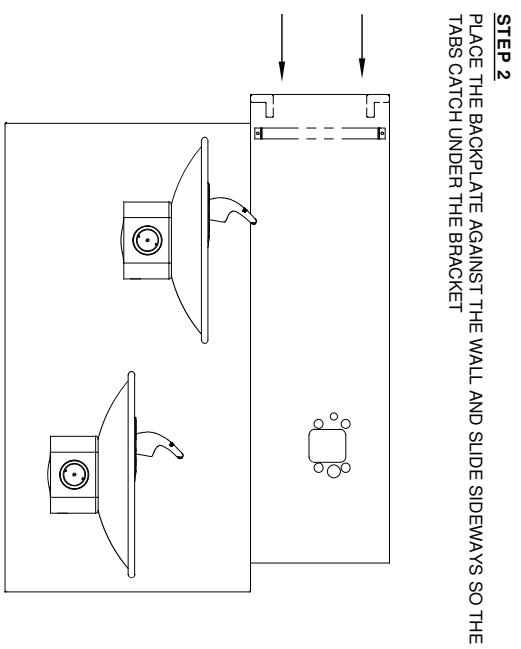
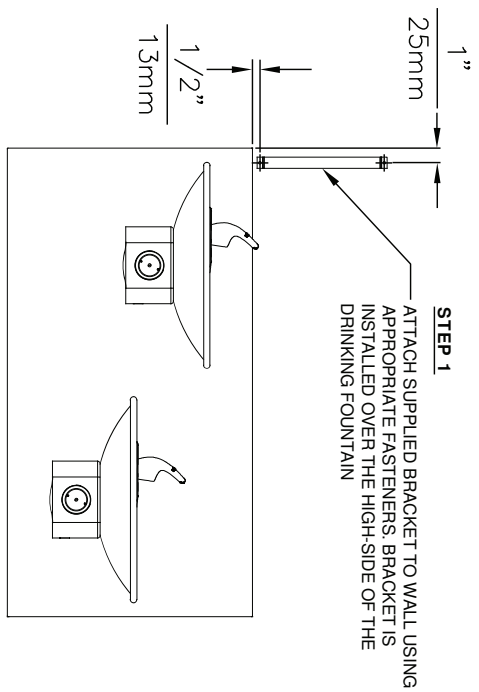
1. SEE SEPARATE INSTALLATION DRAWINGS FOR MOUNTING PLATES AND BACKPANELS
2. WHEN INSTALLING THIS UNIT, LOCAL, STATE OR FEDERAL CODES SHOULD BE ADHERED TO FOR INSTALLATION LOCATIONS, WASTE AND SUPPLY REQUIREMENTS OTHER THAN SHOWN.
3. REFER TO 1RKHO.H OPERATION & MAINTENANCE INSTRUCTIONS FOR SENSOR SETUP.



1455 KLEPPE LANE
SPARKS, NEVADA 89431
(775) 359-4712 FAX (775) 359-7424
E-MAIL: HAWS@HAWS.CO.COM
WEBSITE: WWW.HAWS.CO.COM

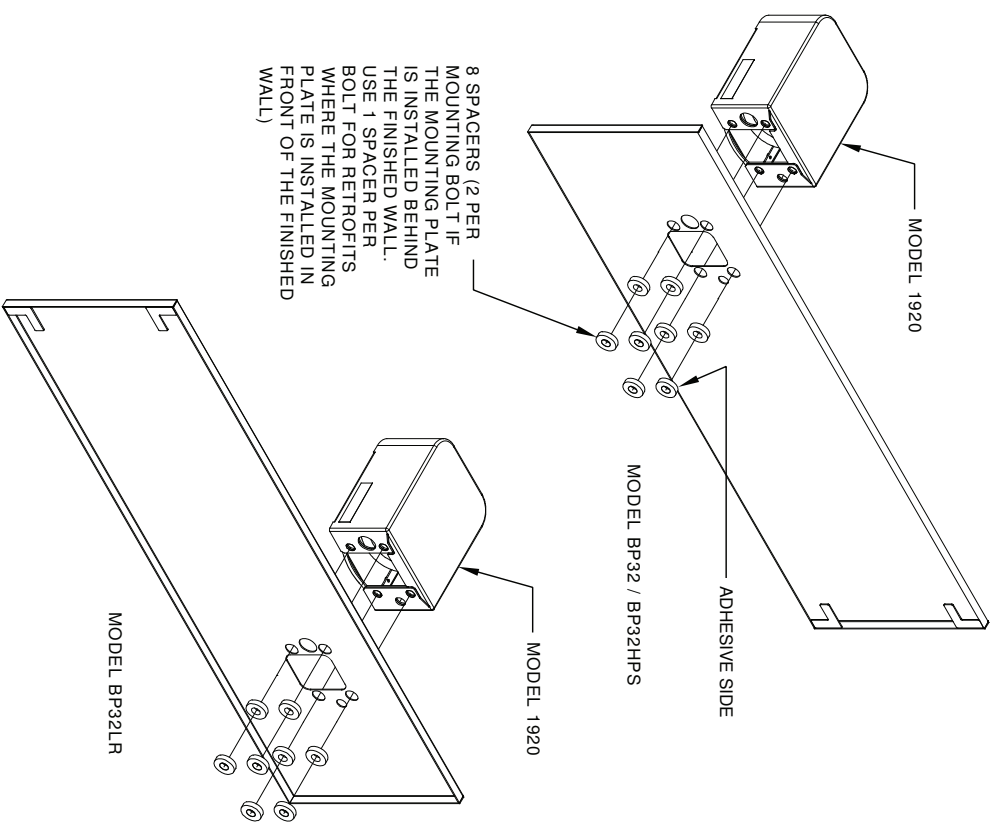
EQ# NO. REVISION	PER BY	DATE	SCALE	INSTALLATION	SIZE	SHEET
0510001063.D					A	1 OF 6
REVISED	B.M.	05/19/21	N/A			4
DATE	BY	DATE	SCALE	INSTALLATION	SIZE	SHEET
05/19/21	B.M.	05/19/21	N/A		A	1 OF 6
DATE	BY	DATE	SCALE	INSTALLATION	SIZE	SHEET
05/19/21	B.M.	05/19/21	N/A		A	1 OF 6
DATE	BY	DATE	SCALE	INSTALLATION	SIZE	SHEET
05/19/21	B.M.	05/19/21	N/A		A	1 OF 6

THIS DOCUMENT IS TRUE AND CORRECT AT TIME OF PUBLICATION. CONTINUED PRODUCT IMPROVEMENTS MAKE SPECIFICATIONS AND MEASUREMENTS SUBJECT TO CHANGE WITHOUT NOTICE.



NOTES:
1. WHEN INSTALLING THIS UNIT, LOCAL, STATE OR FEDERAL CODES SHOULD BE ADHERED TO.

©2017 Haws Corporation - All Rights Reserved. HAWS® and other trademarks used in these materials are the exclusive property of Haws Corporation.



INSTALLATION OVER DOUBLE FOUNTAIN
SHOWN FROM REAR

		1455 KLEPPÉLANE	
SPARKS, NEVADA 89431		(775) 359-4712 FAX (775) 359-7424	
E-MAIL: HAWS@HAWSCO.COM		WEBSITE: WWW.HAWSCO.COM	
ECN NO: 5081	REVISION: 0510000493.D	DATE: 06/27/17	SCALE: 1:1
DRAWN: MJ	CHKD: EV	DATE: 06/27/17	INSTALLATION: 2
MODEL(S): BP32LR		DRAWING TYPE: INSTALLATION	
DRAWING: BACK PANEL SPACER INST. BF		SIZE: A SHEET 2 OF 2	