



**Haws**<sup>®</sup>

model 1001HPS-1920HPSHO

Wall Mount ADA Polished Stainless Fountain and Touchless Bottle Filler

## FEATURES & BENEFITS

### CONSTRUCTION

Rugged ADA accessible 18 gauge Type 304 Stainless Steel swirl design bowl, 14 gauge Type 304 Stainless Steel bracket and bottle filler, and vandal-resistant bottom plates provides a long lasting unit with added peace of mind.

### BOTTLE FILLER

Vandal-resistant, 14-gauge Type 304 stainless steel bottle filler housing with touchless sensor operation and 1 gpm (3.78 L) laminar flow.

### MOUNTING

3/16" (.47 cm) thick steel mounting plate is larger, thicker and stronger than any other plate in the industry, and shall include the all-thread studs, nuts, and washers which allows for easy installation to a framed wall. (P-trap and stop require rear access)

### BUBBLER HEAD

Polished chrome-plated brass bubbler head with integral laminar flow prevents splashing while providing a superior flow pattern. The integral 11/16" dia. basin shank and stainless anti-rotation roll pin for vandal resistance strength. Shielded, angled stream opening provides a steady source of drinking water at .45 gpm.

### FOUNTAIN VALVES

Bottle filler incorporates a touchless sensor operated stainless steel solenoid valve controlled by a transformers, and a push-button activated valve which offers the only all stainless-steel valve body that is machined out of solid bar stock and is fully serviceable through the front of the push button assembly offering access to the water control cartridge and integral water supply strainer on the fountain.

### TAMPER RESISTANT

30-second obstruction time-out to reduce tampering of sensor.

## OPTIONS

Mounting Plate: Model 6700, in-wall mounting plate for model 1920.

Mounting Plate: Model 6700R, on-wall mounting plate for model 1920.

Water Filter: Model 6426, 10" x 2" (25.4 x 5.1 cm), in-line lead removal element that reduces lead from incoming water supply.

Support Frame: Model 6800 In-wall floor mounted fixture support legs, welded steel 4-bolt floor flanges, and supplied with 'U' bolts and hardware.

For more information, visit [www.hawsco.com](http://www.hawsco.com) or call (888) 640-4297.



## REQUIRED MODELS

**1001HPS / BP6 / 6700 /  
1920HPSHO / BP15**

Order these items to make up Model 1001HPS-1920HPSHO fountain with stainless steel back panel, touchless bottle filler with stainless steel back plate, and fountain mounting plate shown above.

**FOR INDOOR USE ONLY**

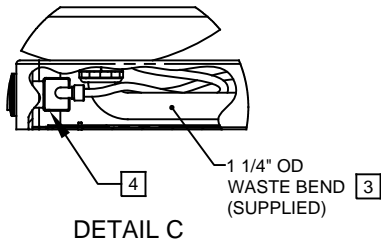
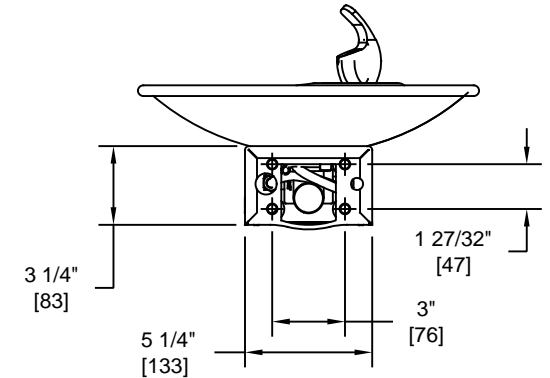
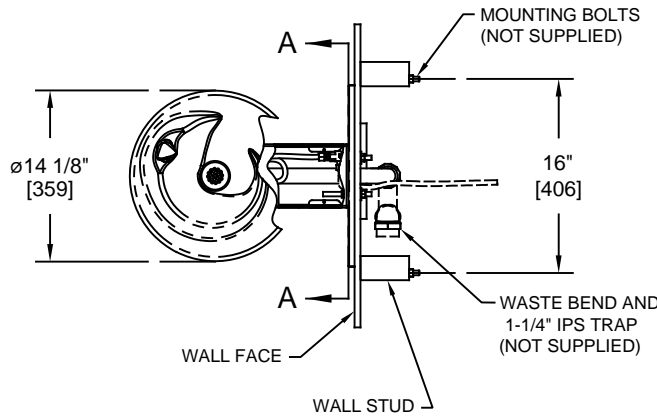
## SPECIFICATIONS

Model 1001HPS-1920HPSHO ADA wall mounted drinking fountain and touchless bottle filler shall include 18 gauge Type 304 high-polished stainless steel basin with integral swirl design, 14 gauge Type 304 high-polished stainless steel wall bracket and bottle filler bracket, 100% lead-free waterways, touchless sensor operated solenoid valve with 30-second obstruction time-out on the bottle filler, and push-button operated stainless-steel valve with front-accessible cartridge and flow adjustment on the fountain, polished chrome-plated brass vandal-resistant bubbler head with integral laminar anti-squirt flow, chrome-plated brass vandal-resistant waste strainer, vandal-resistant bottom plates, and 1-1/4" O.D. (3.2 cm) waste pipe. (P-trap and stop require rear access). Manufactured to be lead-free by all known definitions including NSF/ANSI/CAN 61-Section 9, NSF/ANSI/ CAN 372, California Proposition 65, and the Federal Safe Drinking Water Act. Product is compliant to California Health and Safety Code 116875 (AB 1953-2006), and NSF/ ANSI/CAN 61: Q ≤ 1.

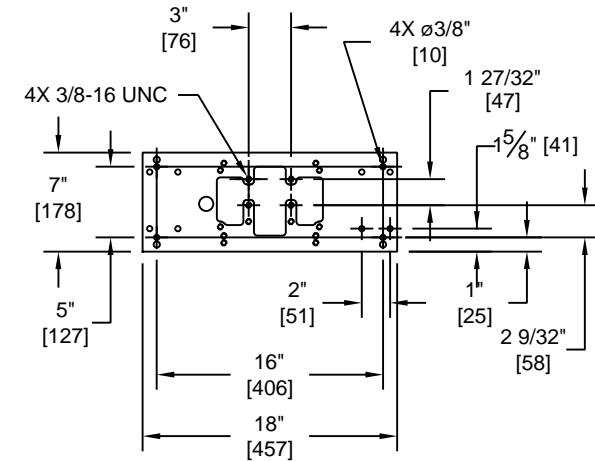
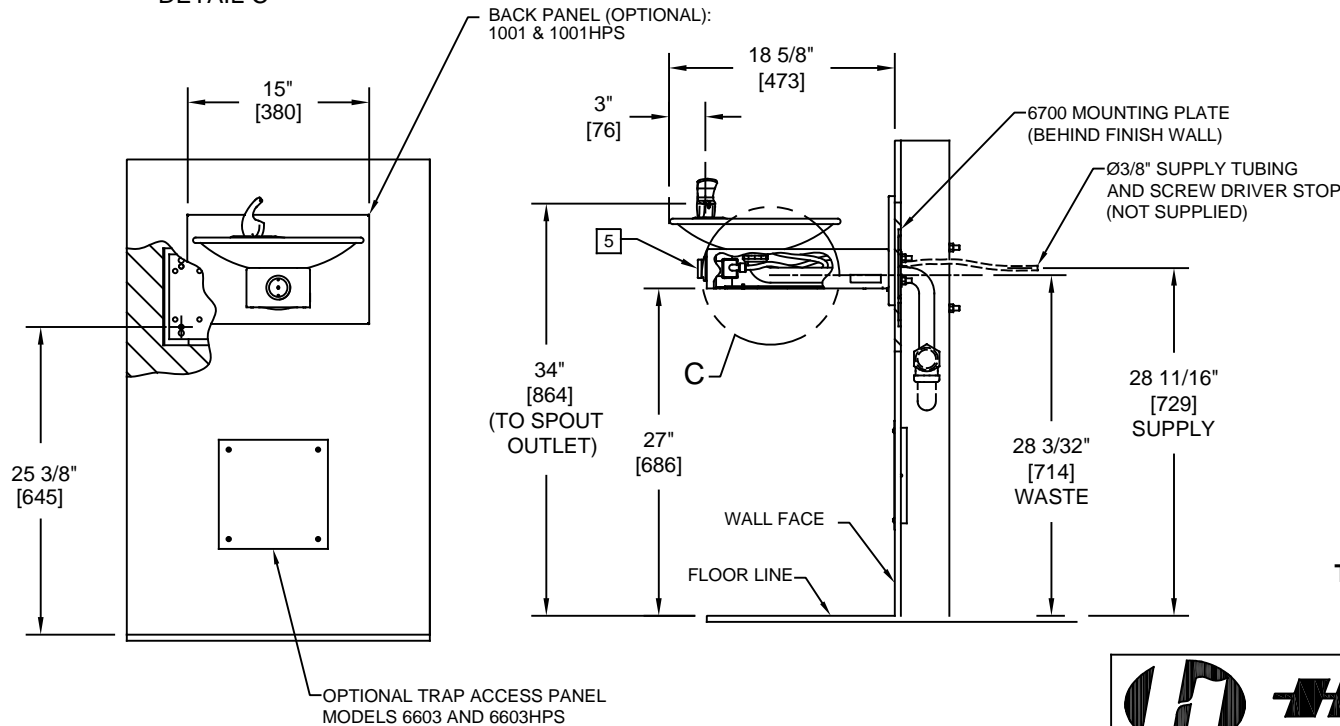


NOTES:

1. HOLD ROUGH-IN DIMENSIONS  $\pm 1/8"$  (3.2mm).
2. WHEN INSTALLING THIS UNIT, LOCAL, STATE, OR FEDERAL CODES SHOULD BE ADHERED TO FOR INSTALLATION DIMENSIONS (LOCATIONS), WASTE AND SUPPLY REQUIREMENTS OTHER THAN SHOWN.
3. INSTALLER MUST PROVIDE TRAP FOR PROPER INSTALLATION.
4. REMOVE VALVE FROM PUSH BUTTON TO INSTALL WASTE ELBOW ONTO BOWL. AFTER WASTE ELBOW IS INSTALLED, REINSTALL VALVE AND ADJUST FLOW.
5. REFER TO 5874 SERIES OPERATION AND MAINTENANCE MANUAL FOR PUSH BUTTON AND VALVE INSTALLATION/MAINTENANCE INSTRUCTIONS.



Available with hands off sensor in lieu of push button valve.

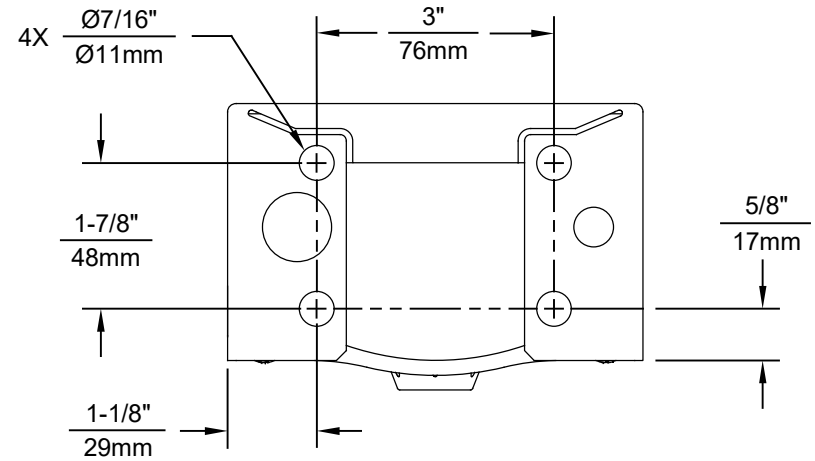
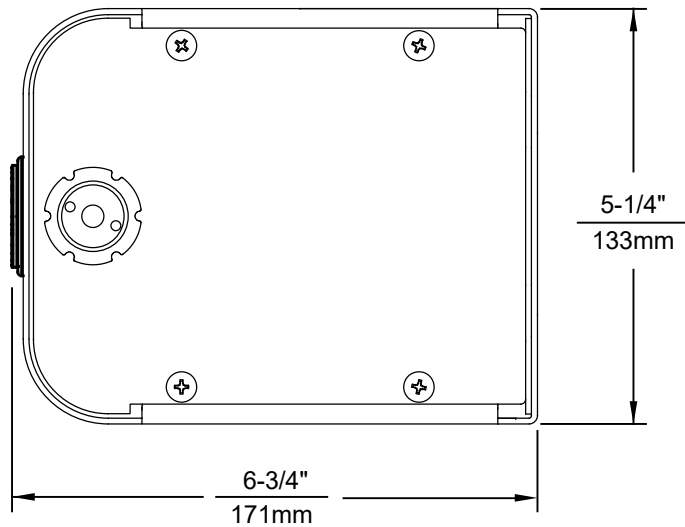
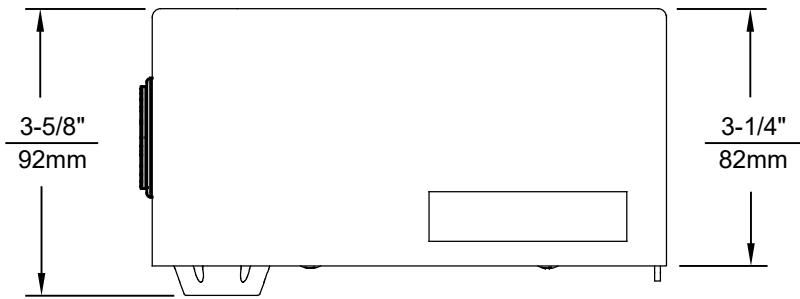


**6700 MOUNTING PLATE  
MUST BE INSTALLED BEFORE FINISH WORK  
THIS PLATE IS REQUIRED - SOLD SEPARATELY.**

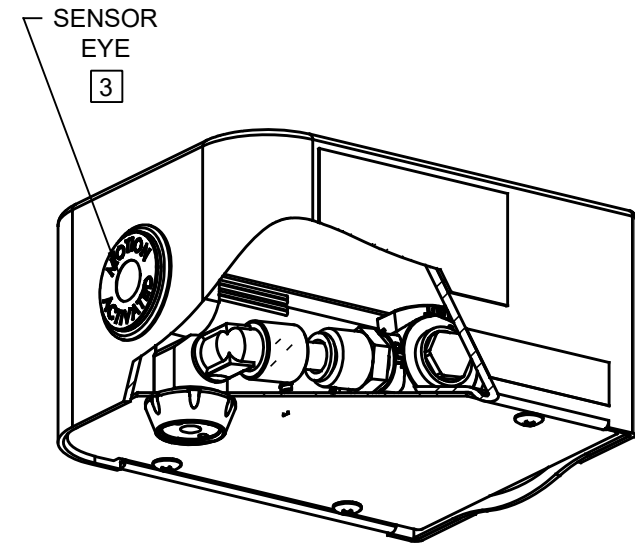
1455 KLEPPE LANE  
SPARKS, NEVADA 89431  
(775) 359-4712 FAX (775) 359-7424  
E-MAIL: HAWS@HAWSCO.COM  
WEBSITE: WWW.HAWSCO.COM

ECN NO.	REVISED PER	BY:	MODEL(S)	PART NUMBER
	ECN: 5527	FV	1001/1001HO	0002076304.D
DRAWN:	DATE:	CHKD.:		REVISION
RTM	05/97	DP		21
APPROVED:	DATE:		SCALE: 1:1	DRAWING TYPE: INSTALLATION
FV	04/02/20			SIZE: A SHEET 1 OF 1

THIS DOCUMENT IS TRUE AND CORRECT AT TIME OF PUBLICATION. CONTINUED PRODUCT IMPROVEMENTS MAKE SPECIFICATIONS AND MEASUREMENTS SUBJECT TO CHANGE WITHOUT NOTICE.



1920HO SERIES MOUNTING HOLE LOCATIONS  
(3/8\"-16 UNC MOUNTING HARDWARE NOT SUPPLIED)

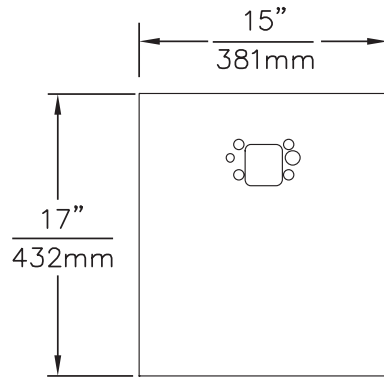


NOTES:

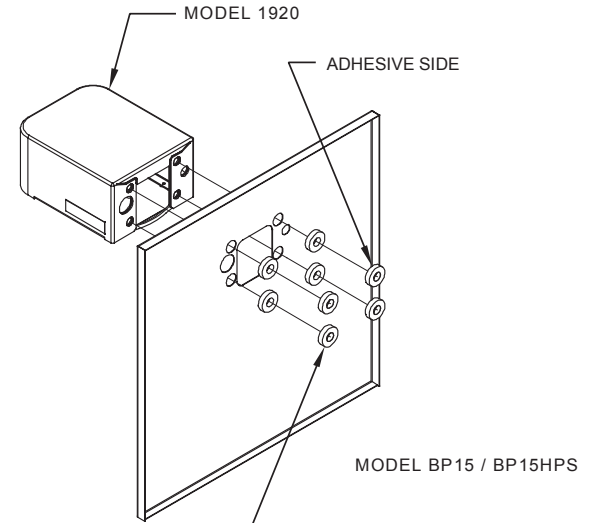
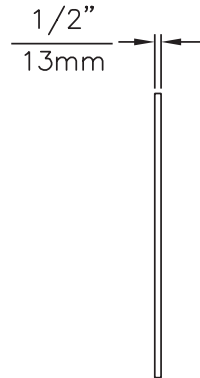
1. SEE SEPARATE INSTALLATION DRAWINGS FOR MOUNTING PLATES AND BACKPANELS
2. WHEN INSTALLING THIS UNIT, LOCAL, STATE OR FEDERAL CODES SHOULD BE ADHERED TO FOR INSTALLATION LOCATIONS, WASTE AND SUPPLY REQUIREMENTS OTHER THAN SHOWN.
- 3 REFER TO 1RKHO.H OPERATION & MAINTENANCE INSTRUCTIONS FOR SENSOR SETUP.

		1455 KLEPPE LANE SPARKS, NEVADA 89431 (775) 359-4712 FAX (775) 359-7424 E-MAIL: HAWS@HAWS.CO.COM WEBSITE: WWW.HAWS.CO.COM	
ECN NO. 5574	REVISED PER ECN: 5681	BY: BJM	MODEL(S)
DRAWN: FV	DATE: 08/18/20	CHKD: FV	1920HO/1920HPSHO/1920WHO
APPROVED: BJM	DATE: 05/13/21	SCALE: N/A	DRAWING TYPE: INSTALLATION
			PART NUMBER: 0510001063.D
			REVISION: 4
			SIZE: A SHEET 1 OF 6

THIS DOCUMENT IS TRUE AND CORRECT AT TIME OF PUBLICATION. CONTINUED PRODUCT IMPROVEMENTS MAKE SPECIFICATIONS AND MEASUREMENTS SUBJECT TO CHANGE WITHOUT NOTICE.



**MODEL BP15 / BP15HPS**



8 SPACERS (2 PER MOUNTING BOLT IF THE MOUNTING PLATE IS INSTALLED BEHIND THE FINISHED WALL. USE 1 SPACER PER BOLT FOR RETROFITS WHERE THE MOUNTING PLATE IS INSTALLED IN FRONT OF THE FINISHED WALL)

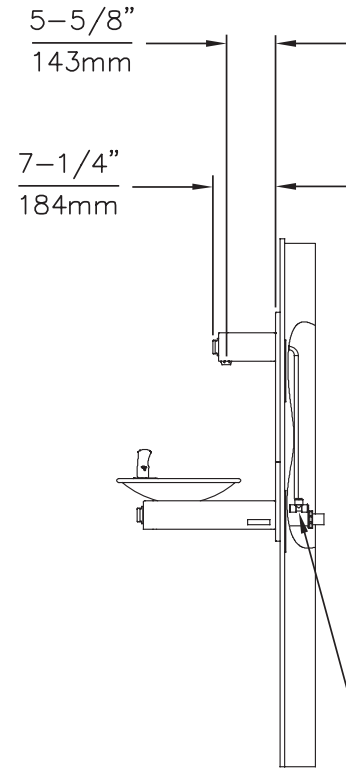
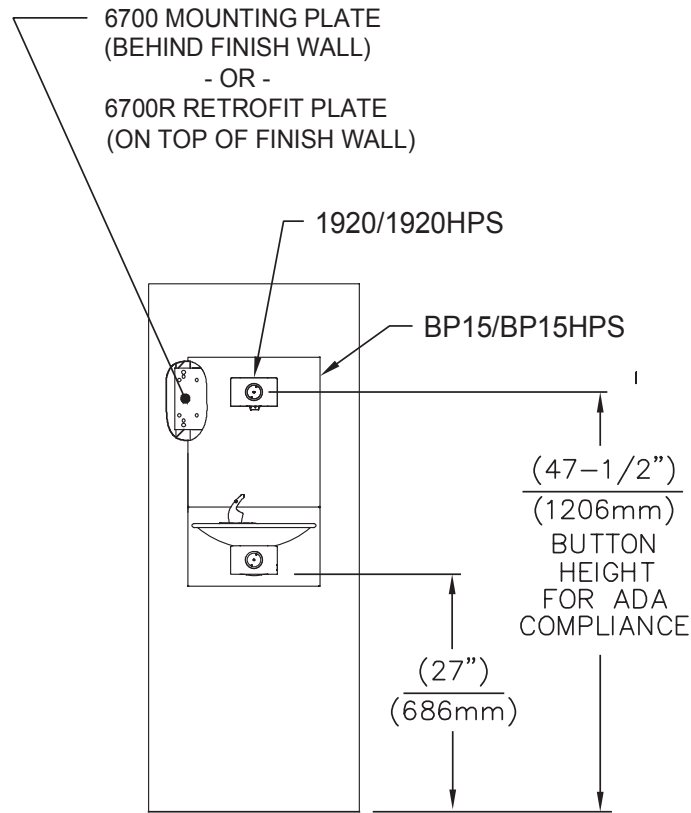
**INSTALLATION OVER SINGLE FOUNTAIN**  
SHOWN FROM REAR

**NOTES:**

1. WHEN INSTALLING THIS UNIT, LOCAL, STATE OR FEDERAL CODES SHOULD BE ADHERED TO.

		1455 KLEPPE LANE SPARKS, NEVADA 89431 (775) 359-4712 FAX (775) 359-7424 E-MAIL: HAWS@HAWSCO.COM WEBSITE: WWW.HAWSCO.COM	
		ECN NO: - ECN: - REVISION: -	REVISION: - DATE: 05/31/17 DATE:
DRAWN: GC APPROVED:	CHECKED:	SCALE: 1:1 DRAWING TYPE: INSTALLATION	SIZE: A SHEET 2 OF 2

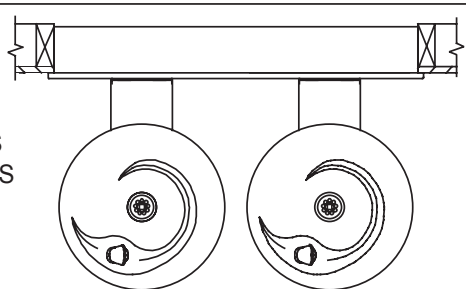
THIS DOCUMENT IS TRUE AND CORRECT AT TIME OF PUBLICATION. CONTINUED PRODUCT IMPROVEMENTS MAKE SPECIFICATIONS AND MEASUREMENTS SUBJECT TO CHANGE WITHOUT NOTICE.



**INSTALLATION ABOVE HAWS 1001, 1001HPS,**

3/8" PUSH IN TEE  
(CONNECT TO  
FOUNTAIN SUPPLY)

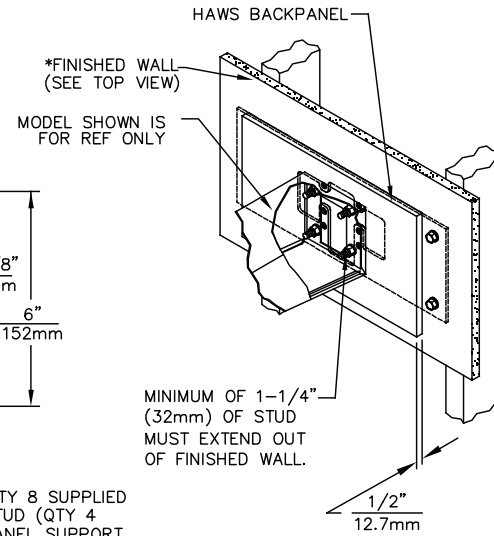
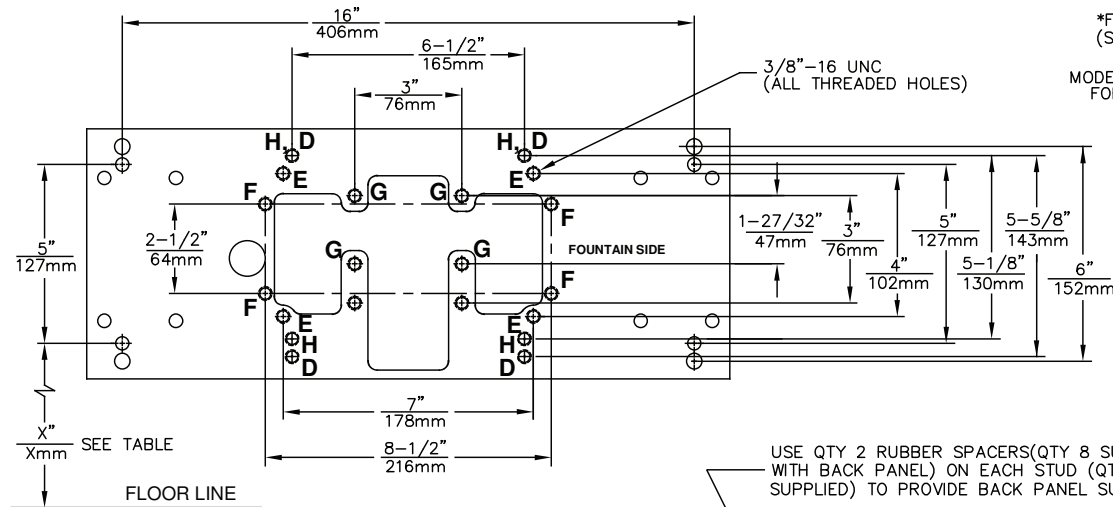
\* IF YOUR FOUNTAIN IS THIS STYLE USE THESE DIMENSIONS



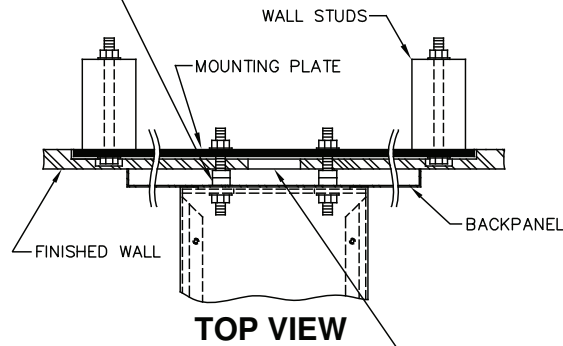
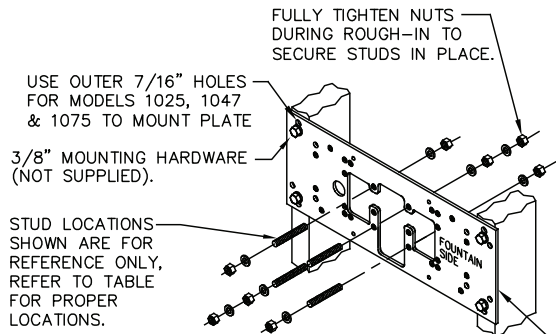
1. SEE SEPARATE INSTALLATION DRAWINGS FOR MOUNTING PLATES AND BACKPANELS
2. WHEN INSTALLING THIS UNIT, LOCAL, STATE OR FEDERAL CODES SHOULD BE ADHERED TO FOR INSTALLATION LOCATIONS, WASTE & SUPPLY REQUIREMENTS OTHER THAN SHOWN.

		1455 KLEPPE LANE SPARKS, NEVADA 89431 (775) 359-4712 FAX (775) 359-7424 E-MAIL: HAWS@HAWS.CO.COM WEBSITE: WWW.HAWS.CO.COM	
ECN NO.:	REVISED PER BY:	MODEL(S)	PART NUMBER
-	GC	MODEL 1001 AND 1001HPS	1001-20
DRAWN:	DATE:	WITH MODEL 1920 BOTTLE FILLER	REVISION
GC	05/31/17		0A.1
APPROVED:	DATE:	SCALE: N/A	DRAWING TYPE: INSTALLATION
		SIZE: A	SHEET 1 OF 2

THIS DOCUMENT IS TRUE AND CORRECT AT TIME OF PUBLICATION. CONTINUED PRODUCT IMPROVEMENTS MAKE SPECIFICATIONS AND MEASUREMENTS SUBJECT TO CHANGE WITHOUT NOTICE.



USE QTY 2 RUBBER SPACERS (QTY 8 SUPPLIED WITH BACK PANEL) ON EACH STUD (QTY 4 SUPPLIED) TO PROVIDE BACK PANEL SUPPORT.



MODEL	MTG HOLES	"X" DIM
1000	"G"	25-3/8" [645mm]
1001	"G"	25-3/8" [645mm]
1025	"D"	28-1/8" [714mm]
1047	"E"	27-1/2" [699mm]
1075	"E"	28" [711mm]
1105	"H"	34-5/16" [872mm]
1109	"H"	27-5/16" [694mm]
1116	"G"	25-3/8" [645mm]
1001FR	"G"	25-3/8" [645mm]
1109FR	"H"	27-5/16" [694mm]
1075FR	"E"	28" [711mm]
1311	"E"	26-3/4" [679mm]
1107L	"F"	26-3/16" [665mm]
1311TRIMCA	"E"	26-3/4" [679mm]

TOP VIEW

\*FINISH WALL OVER MOUNTING PLATE AND BEHIND BACKPANEL. MAKE SURE THAT FINISHED WALL EXTENDS WITHIN THE BRACKET/BOWL MOUNTING HOLES (TO PROVIDE SURFACE AREA FOR RUBBER SPACERS TO CONTACT).

**CAUTION**

REGARDING CONCRETE/MASONRY WALL MOUNTING: DO NOT SECURE MOUNTING PLATE TO SAME SIDE OF WALL AS FOUNTAIN. AVOID COMPROMISING INTEGRITY OF WALL WHEN ANCHORING FOUNTAIN. IT IS RECOMMENDED THAT INSTALLER CALL TECHNICAL SUPPORT IF THERE ARE ANY QUESTIONS AS TO HOW TO OBTAIN A PROPER ANCHOR IN CONCRETE/MASONRY WALLS. 1-800-766-5612

1455 KLEPPE LANE  
SPARKS, NEVADA 89431  
(775) 359-4712 FAX (775) 359-7424  
E-MAIL: HAWS@HAWS.CO.COM  
WEBSITE: WWW.HAWS.CO.COM

ECON NO. REVISED PER BY: FV	MODEL(S)	PART NUMBER	0002080016
DATE: 09/03/03	6700	DRAWING NO.	05387C00
APPROVED: FV	DATE: 02/27/17	SCALE: 1/5	INSTALLATION
MOUNTING PLATE, SINGLE		SIZE: A	SHEET 1 OF 2