

FEATURES & BENEFITS

OPTIONS

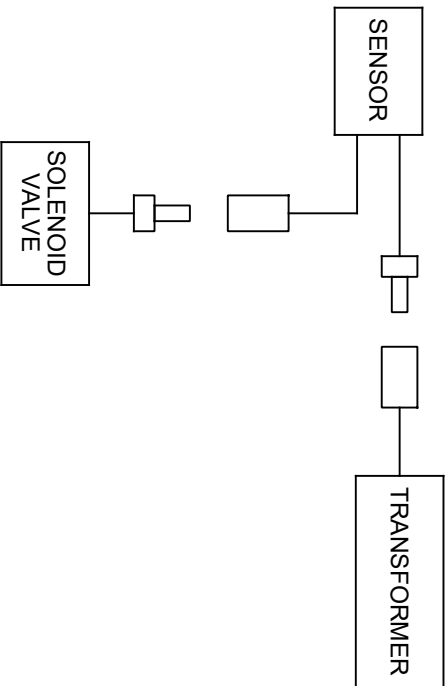
For more information, visit www.hawsc.com or call (888) 640-4297.



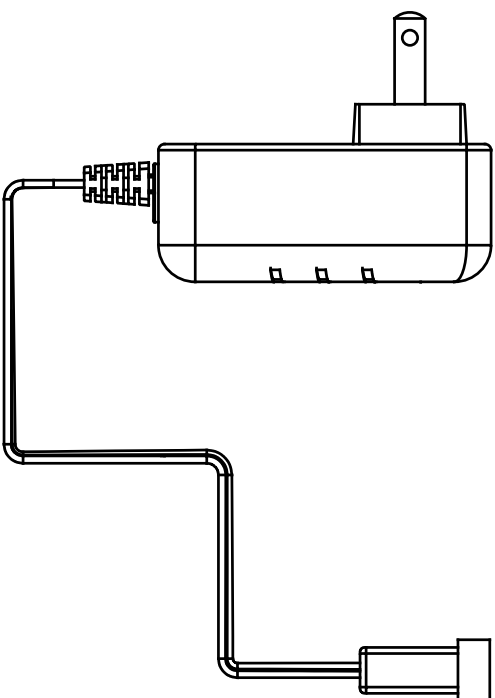
SPECIFICATIONS

Model VRKH07 is the plug-in transformer for the Haws HO (hands-off) fountains, and the 1RKHO, 2RKHO and 3RKHO sensor kits produced after May , 2021.

APPLICATIONS



VRKH07 WIRING SCHEMATIC



PLUG-IN TRANSFORMER

				1459 KLEPPE LANE SPARKS, NEVADA, 89431 (775) 359-4712 FAX (775) 359-7424 E-MAIL: HAWS@HAWSCO.COM WEBSITE: WWW.HAWSCO.COM	
ECN NO. REVISED PER BY:	MODEL(S)	VRKH07			
5849 FV	PLUG-IN TRANSFORMER FOR RKHO	PART NUMBER 0580001163.D			
DRAWN: BIM	DATE: 02/12/21	CHKD: BIM	REVISION: 2		
APPROVED: FV	SCALE: N/A	DRAWING TYPE: INSTALLATION	SIZE: A	SHEET: 4	OF: 4