
FEATURES & BENEFITS

OPTIONS

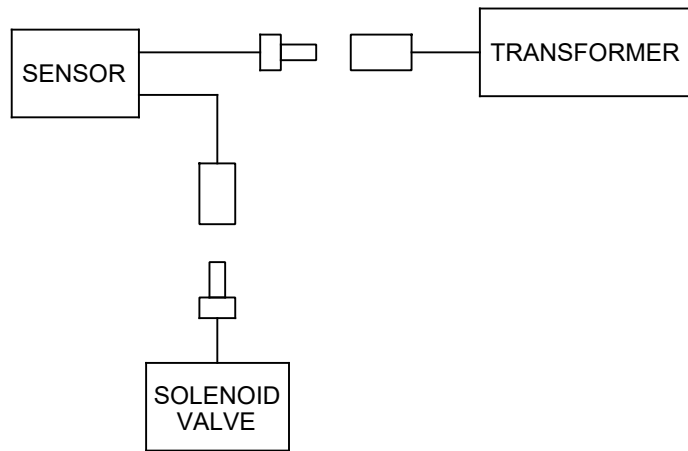
For more information, visit www.hawsc.com or call (888) 640-4297.



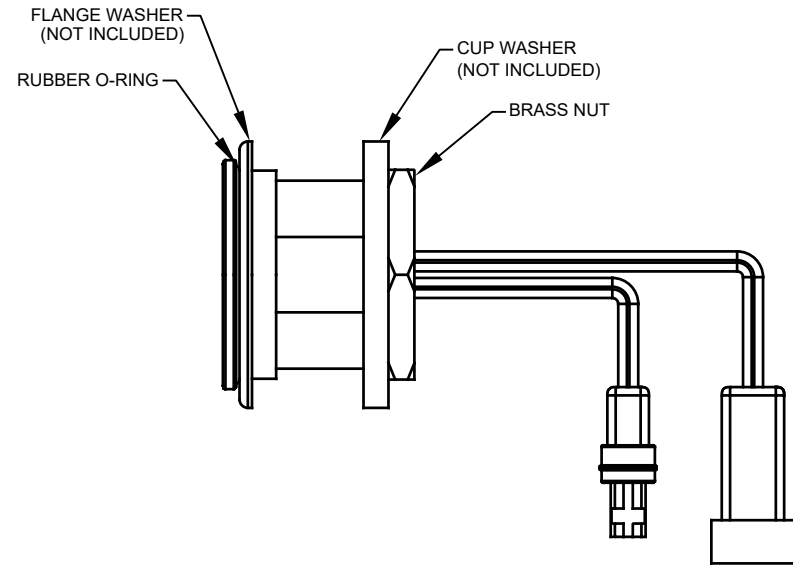
SPECIFICATIONS

Model VRKH06 is the electronic sensor for the Haws HO (hands-off) fountains, and the 1RKHO, 2RKHO and 3RKHO sensor kits produced after May , 2021.


APPLICATIONS



VRKHO6 WIRING SCHEMATIC



SENSOR ASSEMBLY

| | | | | | |
|---|--|--------------------------|--|---|--|
|  | | Haws [®] | | 1455 KLEPPE LANE SPARKS, NEVADA 89431 (775) 359-4712 FAX (775) 359-7424 E-MAIL: HAWS@HAWS.CO.COM WEBSITE: WWW.HAWS.CO.COM | |
| | | | | ECN NO. 5649 REVISED PER ECN: 5649 BY: BJM | |
| DRAWN: BJM | | DATE: 02/12/21 | | CHK'D: FV | |
| APPROVED: BJM | | DATE: 02/22/21 | | SCALE: N/A DRAWING TYPE: INSTALLATION SIZE: A | |
| VRKHO6 SENSOR FOR RKHO | | | | PART NUMBER 0580001162.D REVISION 1 | |
| | | | | SHEET 4 OF 4 | |