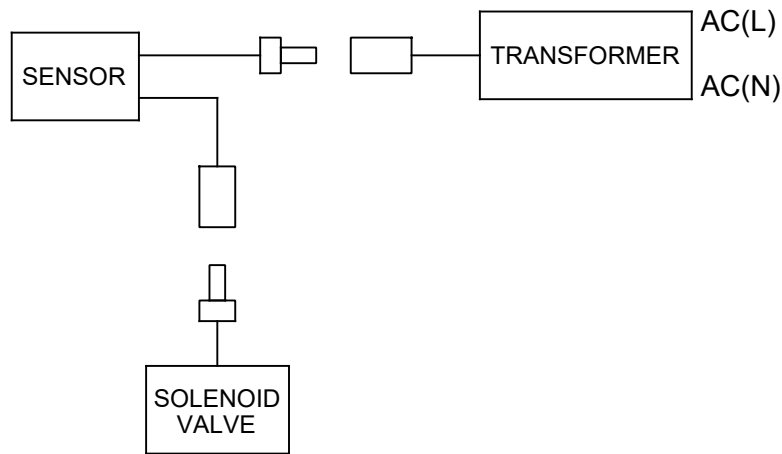
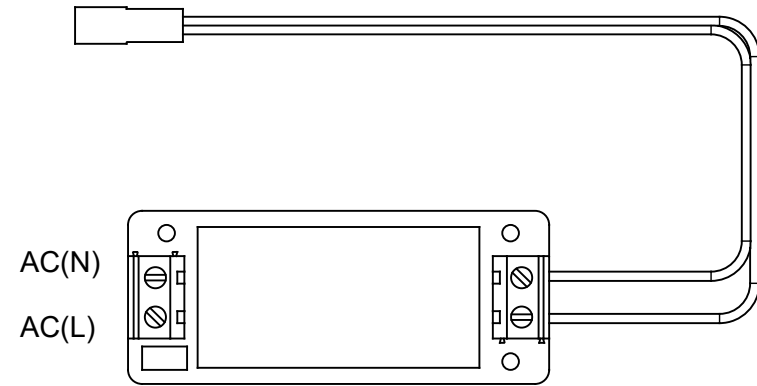


NOTES:

1. VRKHO8 REQUIRES 100-277V POWER CONNECTION.
2. TRANSFORMER MUST BE MOUNTED SUCH THAT THEY ARE PROTECTED FROM WATER.



VRKHO8 WIRING SCHEMATIC



HARDWIRE TRANSFORMER

		1455 KLEPPE LANE SPARKS, NEVADA 89431 (775) 359-4712 FAX (775) 359-7424 E-MAIL: HAWS@HAWS.CO.COM WEBSITE: WWW.HAWS.CO.COM	
ECN NO. 5649	REVISED PER ECN: 5749	BY: FV	MODEL(S) VRKHO8
DRAWN: BJM	DATE: 02/12/21	CHK'D: BJM	HARDWIRE TRANSFORMER FOR RKHO
APPROVED: FV	DATE: 10/28/21	SCALE: N/A	DRAWING TYPE: INSTALLATION
			PART NUMBER 0580001164.D
			REVISION 3
			SIZE: A SHEET 4 OF 4