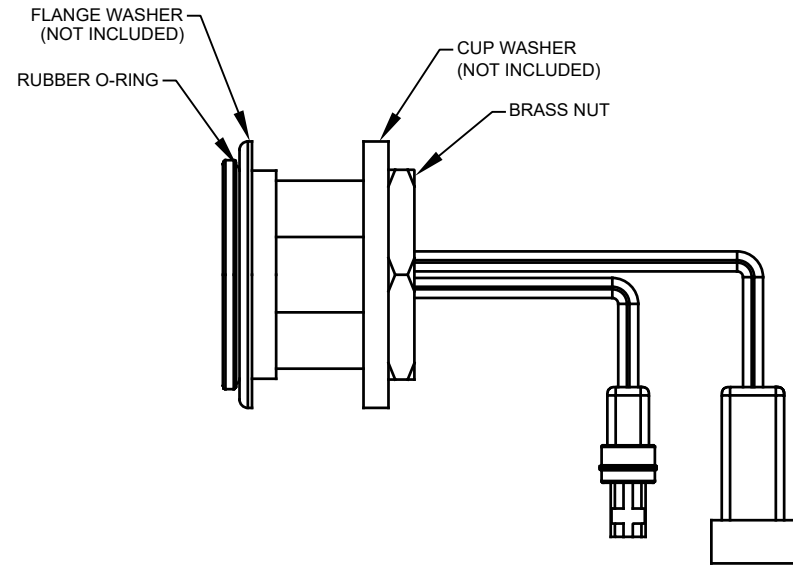



VRKHO6 WIRING SCHEMATIC



SENSOR ASSEMBLY

		Haws [®]		1455 KLEPPE LANE SPARKS, NEVADA 89431 (775) 359-4712 FAX (775) 359-7424 E-MAIL: HAWS@HAWS.CO.COM WEBSITE: WWW.HAWS.CO.COM	
ECN NO. 5649	REVISED PER ECN: 5649	BY: BJM	MODEL(S)		PART NUMBER
DRAWN: BJM	DATE: 02/12/21	CHK'D: FV	VRKHO6		0580001162.D
APPROVED: BJM	DATE: 02/22/21	SCALE: N/A	DRAWING TYPE:	INSTALLATION	REVISION 1
			SIZE: A	SHEET 4 OF 4	