

NOTES:

1. 3RKHO.P AND 3RKHO.H RETROFIT KITS ALLOW INDOOR FOUNTAINS TO BE CONVERTED FROM A HAWS 5874 PUSH BUTTON VALVE TO HANDS-OFF (TOUCHLESS) OPERATION.

FOUNTAINS (NOT SUPPLIED) MAY BE MOUNTED ON THE EXTERNAL WALL OF A BUILDING PROVIDED THE TRANSFORMER SHALL BE MOUNTED INSIDE THE WALL AND PROTECTED FROM WATER AS SHOWN IN THIS INSTALLATION PER NEC/CEC AND LOCAL CODE. AVOID DIRECT CONTACT WITH SUNLIGHT ON THE SENSOR LENS.

2. RETROFIT KIT MODEL:

3RKHO.P: TRIPLE INDOOR HO RETRO-FIT KIT (INCLUDES 3X HO SENSOR WITH MOUNTING HARDWARE, 3X SOLENOID VALVE, 3X REGULATOR, WIRE SPLITTER, AND 100-240V PLUG-IN TRANSFORMER - SEE SHEET 2).

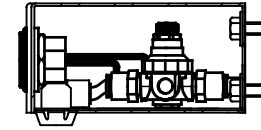
3RKHO.H: TRIPLE INDOOR HO RETRO-FIT KIT (INCLUDES 3X HO SENSOR WITH MOUNTING HARDWARE, 3X SOLENOID VALVE, 3X REGULATOR, WIRE SPLITTER, AND 100-277V HARDWIRE TRANSFORMER - SEE SHEET 3).

3. 3RKHO.P REQUIRES 100-240VAC POWER CONNECTION. 3RKHO.H REQUIRES 100-277V POWER CONNECTION.

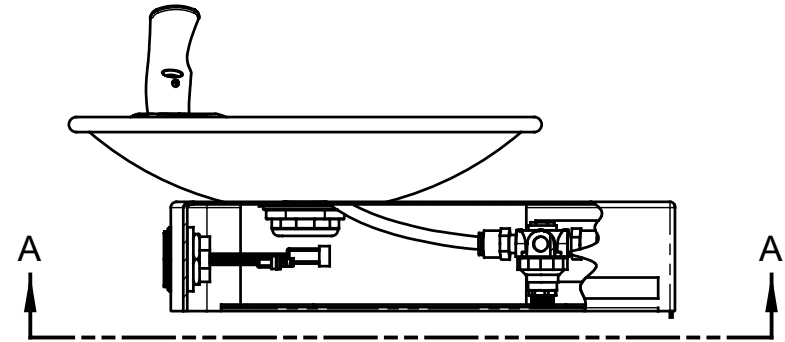
4. TRANSFORMERS MUST BE MOUNTED SUCH THAT THEY ARE PROTECTED FROM WATER.

5. 3RKHO.P TRANSFORMER IS COMPATIBLE WITH TYPE A AND TYPE B NORTH AMERICAN ELECTRICAL OUTLETS. FOR OTHER RECEPTACLE TYPES, AN ADAPTER (NOT SUPPLIED) MUST BE PROVIDED BY OTHERS.

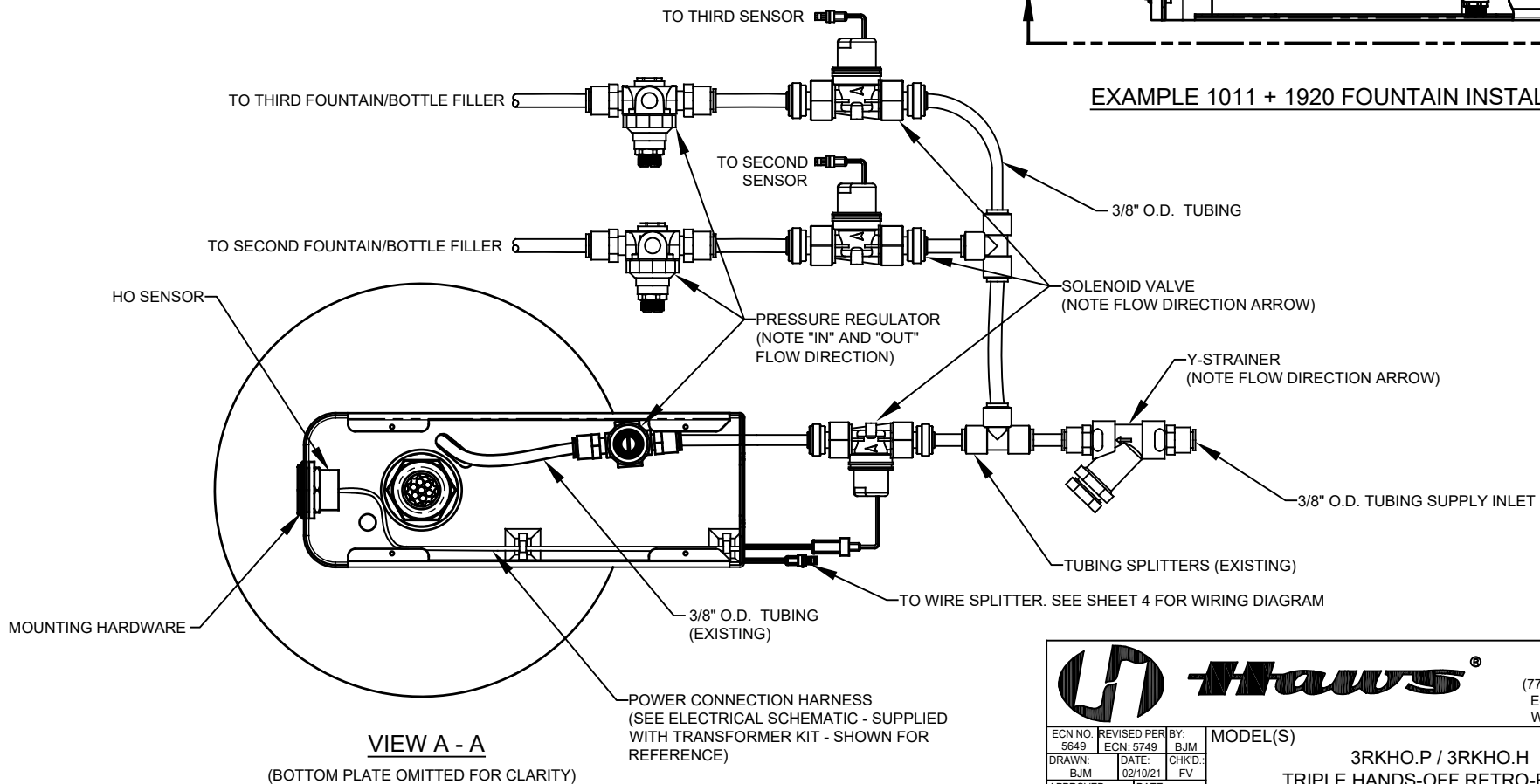
(NOTES CONTINUED ON SHEET 4)



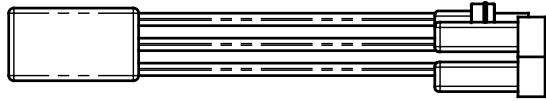
EXAMPLE 1920 BOTTLE FILLER INSTALLATION



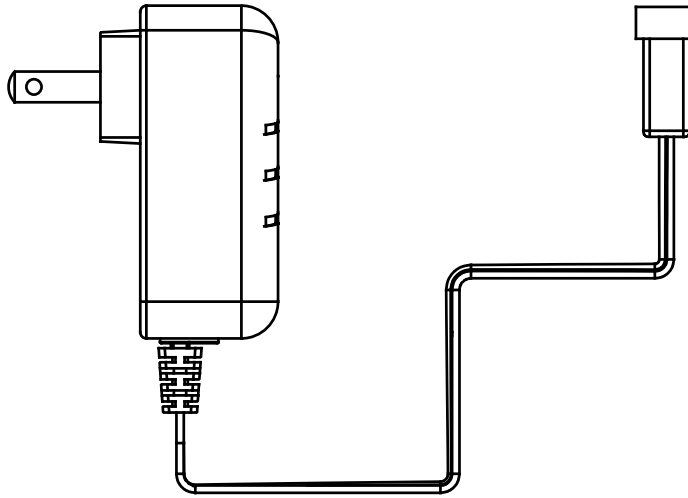
EXAMPLE 1011 + 1920 FOUNTAIN INSTALLATION



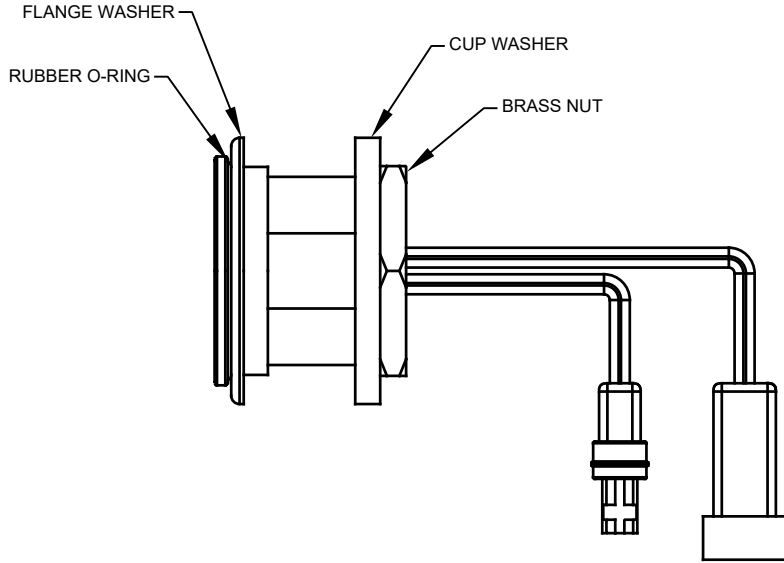
		1455 KLEPPE LANE SPARKS, NEVADA 89431 (775) 359-4712 FAX (775) 359-7424 E-MAIL: HAWS@HAWSCO.COM WEBSITE: WWW.HAWSCO.COM	
		ECN NO. 5649 DRAWN: BJM APPROVED: BJM	REVISED PER: BJM ECN: 5749 DATE: 02/10/21 DATE: 10/26/21
SCALE: N/A		DRAWING TYPE: INSTALLATION	SIZE: A SHEET 1 OF 4



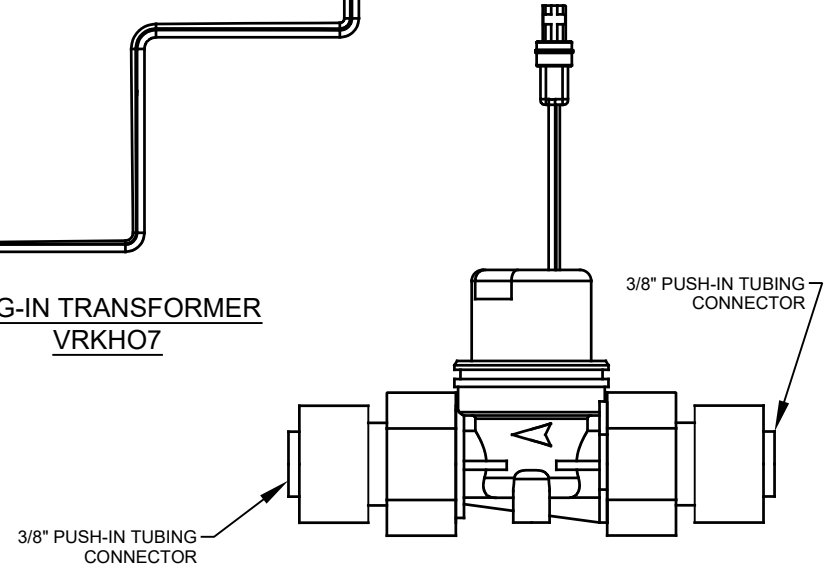
TRIPLE POWER SPLITTER



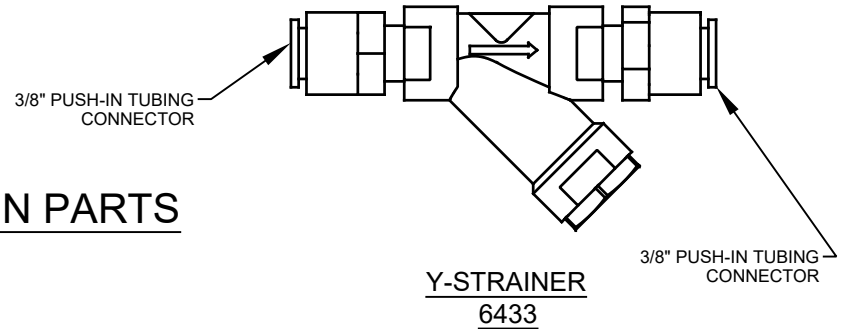
PLUG-IN TRANSFORMER
VRKH07



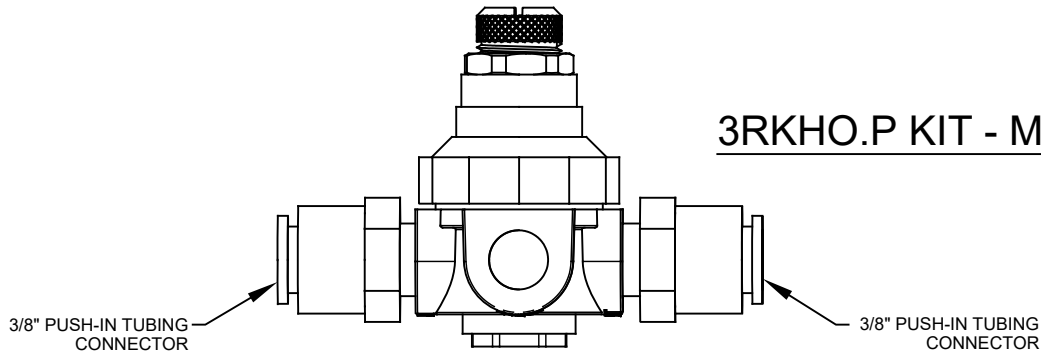
HO SENSOR ASSEMBLY (3X)
VRKH06



SOLENOID VALVE ASSEMBLY (3X)
VRKH05



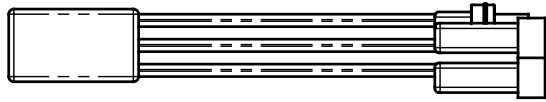
Y-STRAINER
6433



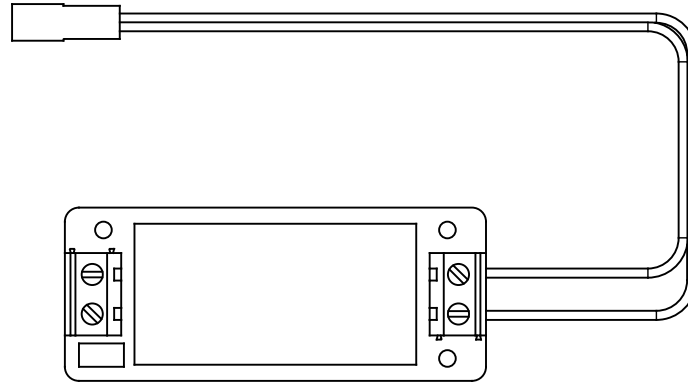
VALVE REGULATOR (3X)
5867

3RKHO.P KIT - MAIN PARTS

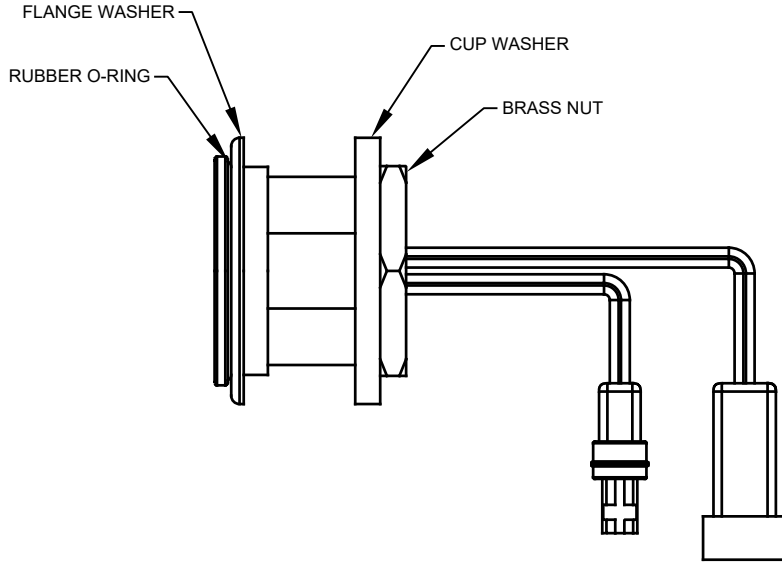
		1455 KLEPPE LANE SPARKS, NEVADA 89431 (775) 359-4712 FAX (775) 359-7424 E-MAIL: HAWS@HAWS.CO.COM WEBSITE: WWW.HAWS.CO.COM		
ECN NO. 5649	REVISED PER ECN: 5749	BY: BJM	MODEL(S) 3RKHO.P / 3RKHO.H	PART NUMBER 0580001157.D
DRAWN: BJM	DATE: 02/10/21	CHK'D.: FV	TRIPLE HANDS-OFF RETRO-FIT KIT	REVISION 4
APPROVED: BJM	DATE: 10/28/21	SCALE: N/A	DRAWING TYPE: INSTALLATION	SIZE: A SHEET 2 OF 4



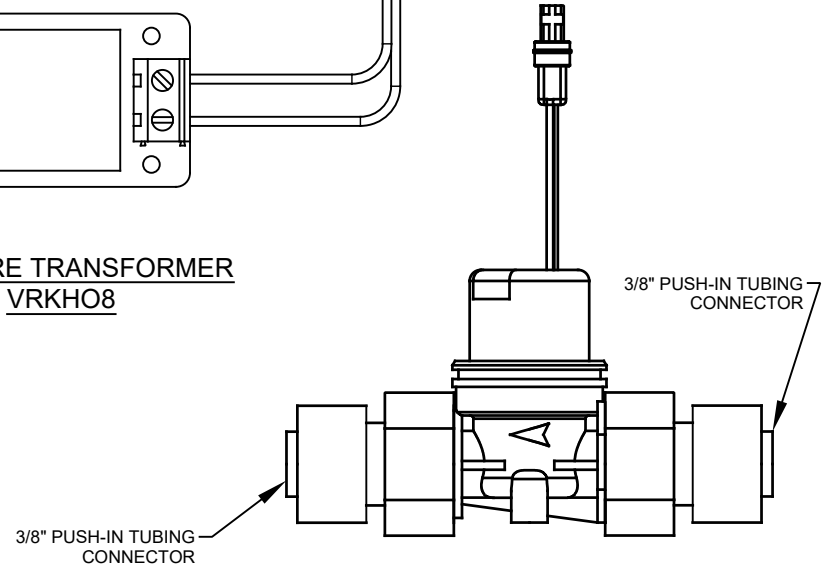
TRIPLE POWER SPLITTER



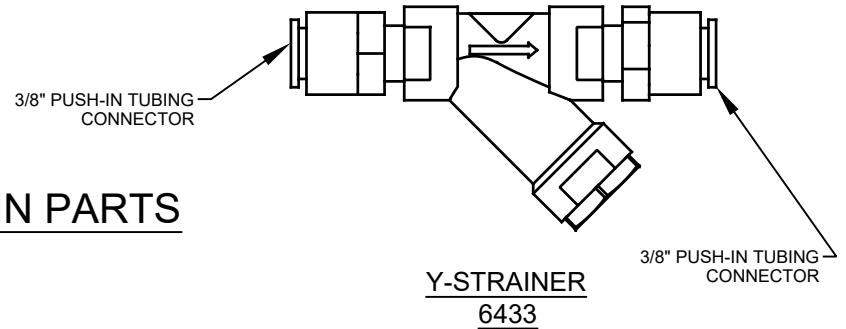
HARDWIRE TRANSFORMER
VRKH08



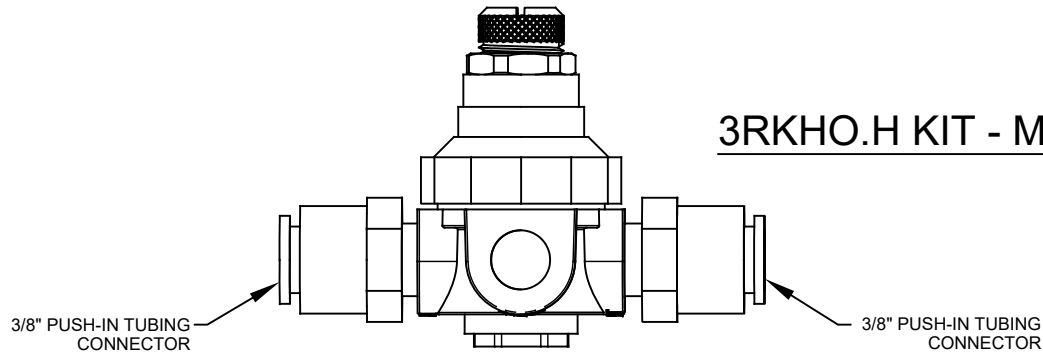
HO SENSOR ASSEMBLY (3X)
VRKH06



SOLENOID VALVE ASSEMBLY (3X)
VRKH05



Y-STRAINER
6433



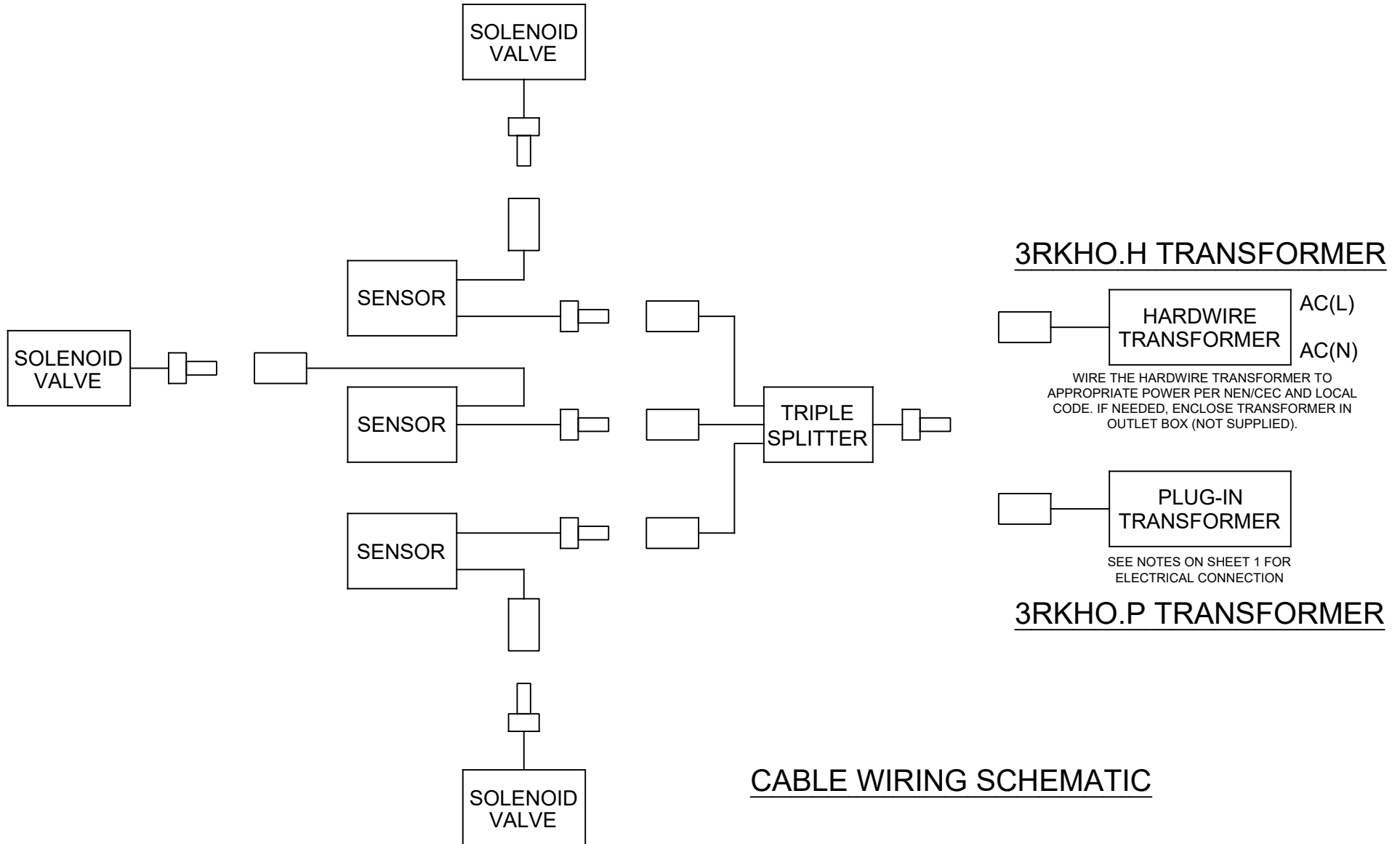
VALVE REGULATOR (3X)
5867

3RKHO.H KIT - MAIN PARTS

		1455 KLEPPE LANE SPARKS, NEVADA 89431 (775) 359-4712 FAX (775) 359-7424 E-MAIL: HAWS@HAWS.CO.COM WEBSITE: WWW.HAWS.CO.COM	
ECN NO. 5649	REVISED PER ECN: 5749	BY: BJM	MODEL(S) 3RKHO.P / 3RKHO.H
DRAWN: BJM	DATE: 02/10/21	CHK'D: FV	PART NUMBER 0580001157.D
APPROVED: BJM	DATE: 10/28/21	SCALE: N/A	DRAWING TYPE: INSTALLATION
TRIPLE HANDS-OFF RETRO-FIT KIT		SIZE: A	SHEET 3 OF 4

NOTES (CONTINUED FROM SHEET 1):

- 6. 3RKHO.H TRANSFORMER WIRE RANGE: 24-12 AWG
3RKHO.H TRANSFORMER TIGHTENING TORQUE: MAX 0.4 N*m



CABLE WIRING SCHEMATIC

		1455 KLEPPE LANE SPARKS, NEVADA 89431 (775) 359-4712 FAX (775) 359-7424 E-MAIL: HAWS@HAWSO.COM WEBSITE: WWW.HAWSO.COM	
		ECN NO. 5649 DRAWN: BJM APPROVED: BJM	REVISED PER: ECN: 5749 DATE: 02/10/21 DATE: 10/28/21
PART NUMBER 0580001157.D			REVISION 4
SCALE: N/A		DRAWING TYPE: INSTALLATION	SIZE: A SHEET 4 OF 4