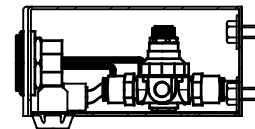


NOTES:

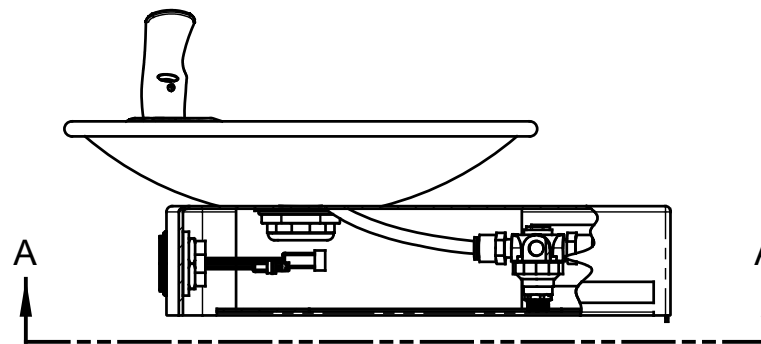
1. 2RKHO.P AND 2RKHO.H RETROFIT KITS ALLOW INDOOR FOUNTAINS TO BE CONVERTED FROM A HAWS 5874 PUSH BUTTON VALVE TO HANDS-OFF (TOUCHLESS) OPERATION.

FOUNTAINS (NOT SUPPLIED) MAY BE MOUNTED ON THE EXTERNAL WALL OF A BUILDING PROVIDED THE TRANSFORMER SHALL BE MOUNTED INSIDE THE WALL AND PROTECTED FROM WATER AS SHOWN IN THIS INSTALLATION PER NEC/CEC AND LOCAL CODE. AVOID DIRECT CONTACT WITH SUNLIGHT ON THE SENSOR LENS.
2. RETROFIT KIT MODEL:
2RKHO.P: INDOOR HO RETRO-FIT KIT (INCLUDES 2X HO SENSOR WITH MOUNTING HARDWARE, 2X SOLENOID VALVE, 2X REGULATOR, WIRE SPLITTER, AND 100-240V PLUG-IN TRANSFORMER - SEE SHEET 2).
2RKHO.H: INDOOR HO RETRO-FIT KIT (INCLUDES 2X HO SENSOR WITH MOUNTING HARDWARE, 2X SOLENOID VALVE, 2X REGULATOR, WIRE SPLITTER, AND 100-277V HARDWIRE TRANSFORMER - SEE SHEET 3).
3. 2RKHO.P REQUIRES 100-240VAC POWER CONNECTION. 2RKHO.H REQUIRES 100-277V POWER CONNECTION.
4. TRANSFORMERS MUST BE MOUNTED SUCH THAT THEY ARE PROTECTED FROM WATER.
5. 2RKHO.P TRANSFORMER IS COMPATIBLE WITH TYPE A AND TYPE B NORTH AMERICAN ELECTRICAL OUTLETS. FOR OTHER RECEPTACLE TYPES, AN ADAPTER (NOT SUPPLIED) MUST BE PROVIDED BY OTHERS.

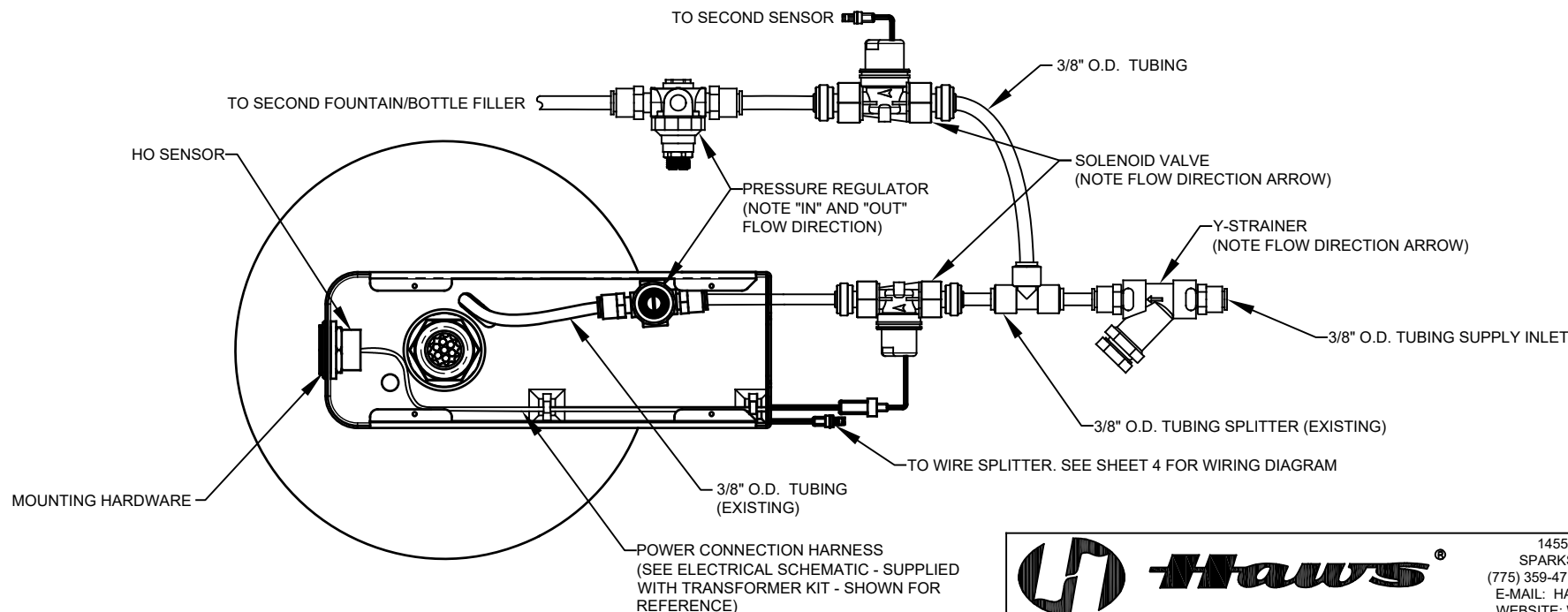
(NOTES CONTINUED ON SHEET 4)



EXAMPLE 1920 BOTTLE FILLER INSTALLATION

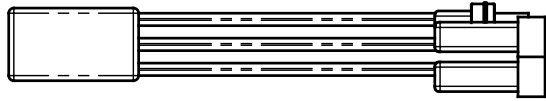


EXAMPLE 1011 FOUNTAIN INSTALLATION

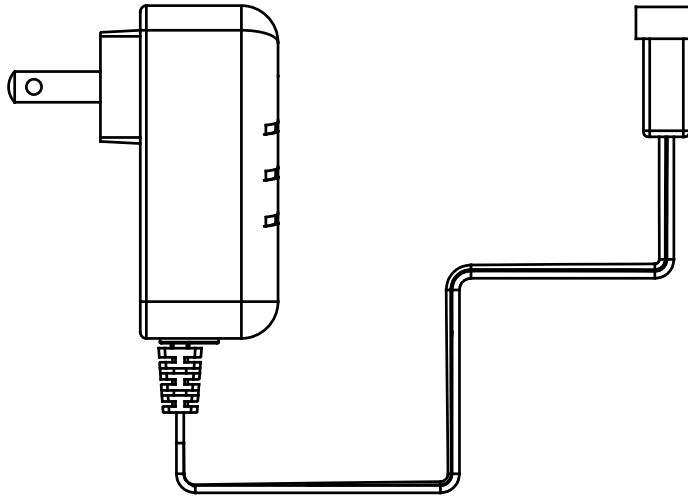


VIEW A - A
(BOTTOM PLATE OMITTED FOR CLARITY)

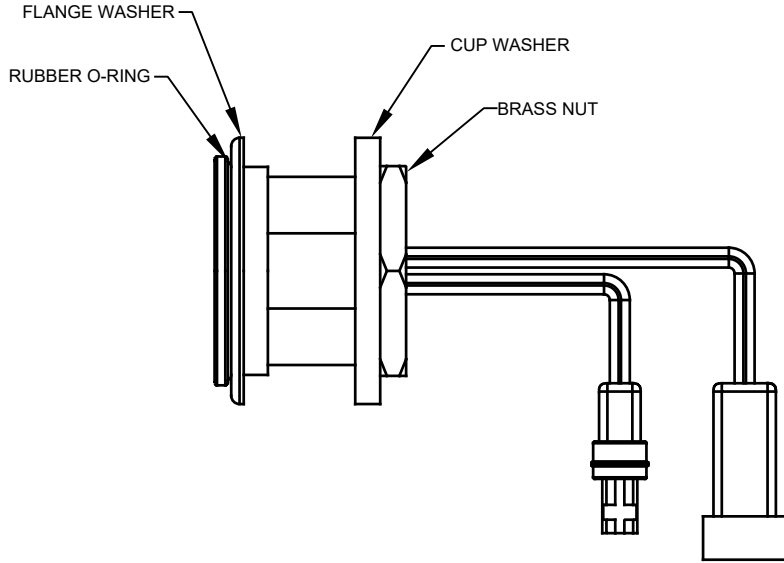
		Haws®		1455 KLEPPE LANE SPARKS, NEVADA 89431 (775) 359-4712 FAX (775) 359-7424 E-MAIL: HAWS@HAWS.CO.COM WEBSITE: WWW.HAWS.CO.COM	
				ECN NO. 5649 DRAWN: BJM APPROVED: BJM	REVISED PER: BJM DATE: 02/10/21 DATE: 10/28/21
SCALE: N/A		DRAWING TYPE: INSTALLATION		SIZE: A SHEET 1 OF 4	



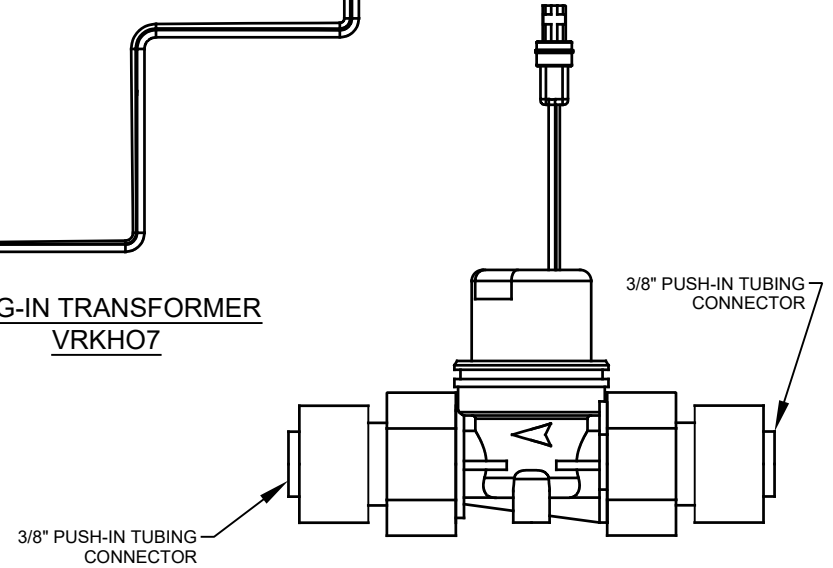
DUAL POWER SPLITTER



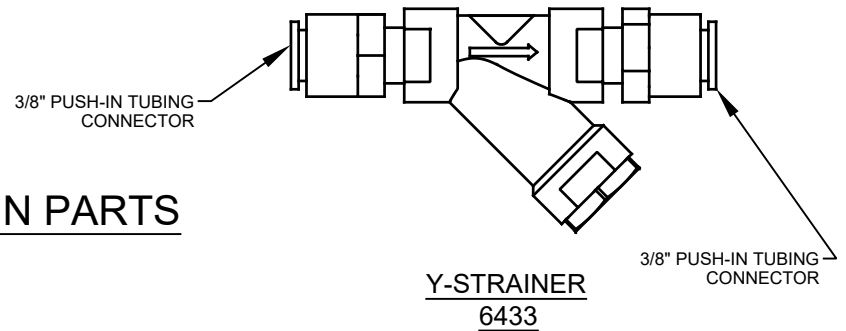
PLUG-IN TRANSFORMER
VRKH07



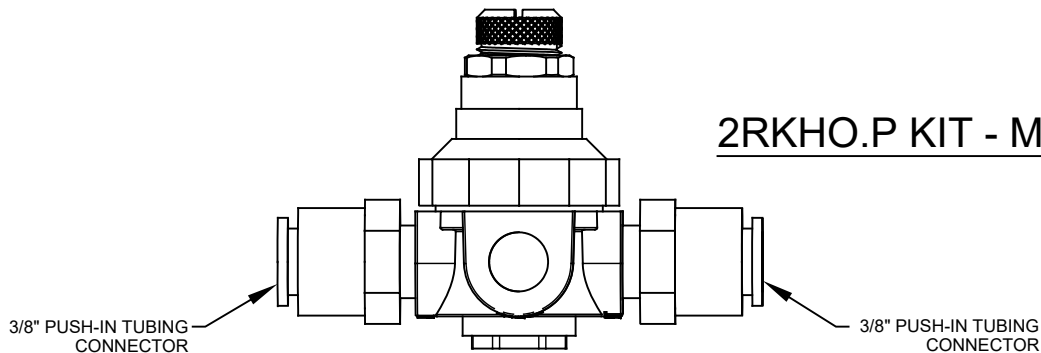
HO SENSOR ASSEMBLY (2X)
VRKH06



SOLENOID VALVE ASSEMBLY (2X)
VRKH05



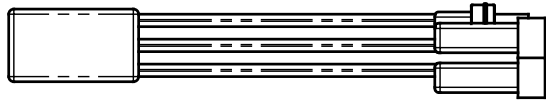
Y-STRAINER
6433



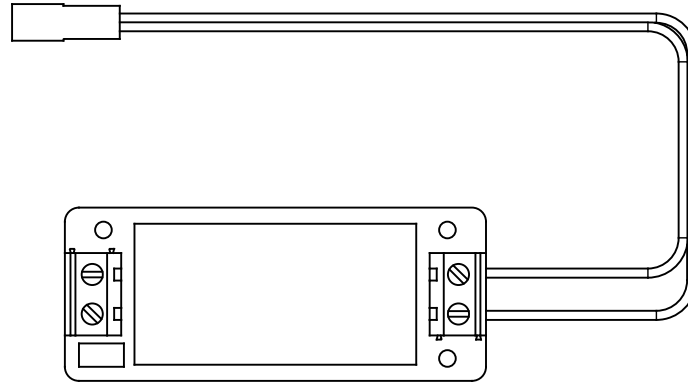
VALVE REGULATOR (2X)
5867

2RKHO.P KIT - MAIN PARTS

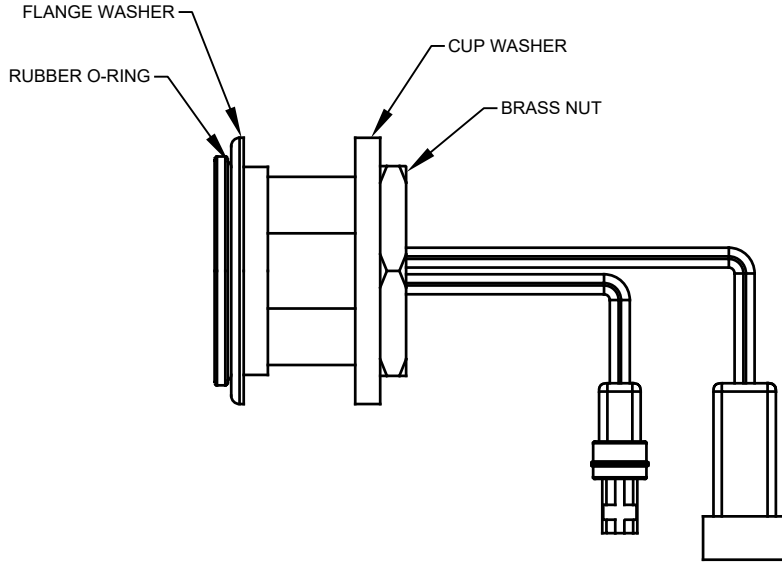
		Haws [®]		1455 KLEPPE LANE SPARKS, NEVADA 89431 (775) 359-4712 FAX (775) 359-7424 E-MAIL: HAWS@HAWS.CO.COM WEBSITE: WWW.HAWS.CO.COM	
ECN NO. 5649	REVISED PER ECN: 5749	BY: BJM	MODEL(S)		
DRAWN: BJM	DATE: 02/10/21	CHKD.: FV	2RKHO.P / 2RKHO.H		
APPROVED: BJM	DATE: 10/28/21		DUAL HANDS-OFF RETRO-FIT KIT		
SCALE: N/A		DRAWING TYPE: INSTALLATION		SIZE: A	SHEET 2 OF 4
				PART NUMBER 0580001156.D	REVISION 4



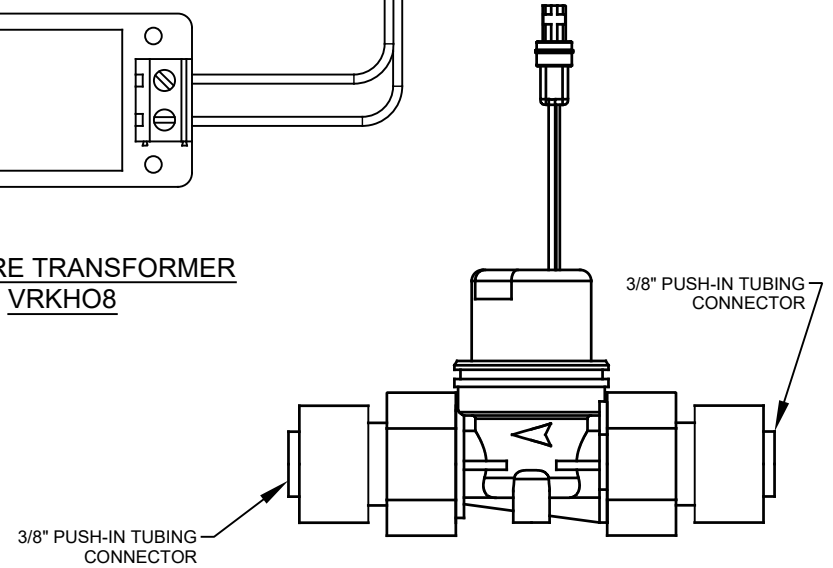
DUAL POWER SPLITTER



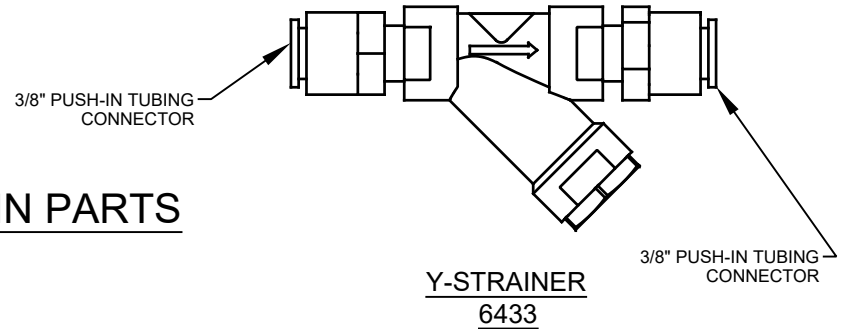
HARDWIRE TRANSFORMER
VRKH08



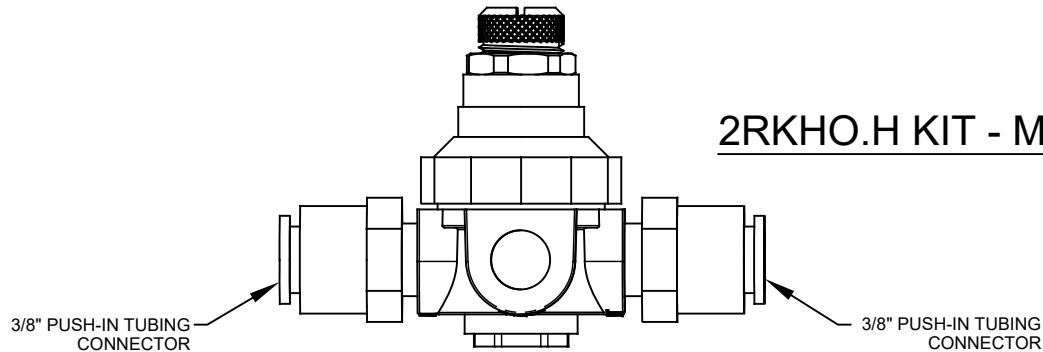
HO SENSOR ASSEMBLY (2X)
VRKH06



SOLENOID VALVE ASSEMBLY (2X)
VRKH05



Y-STRAINER
6433



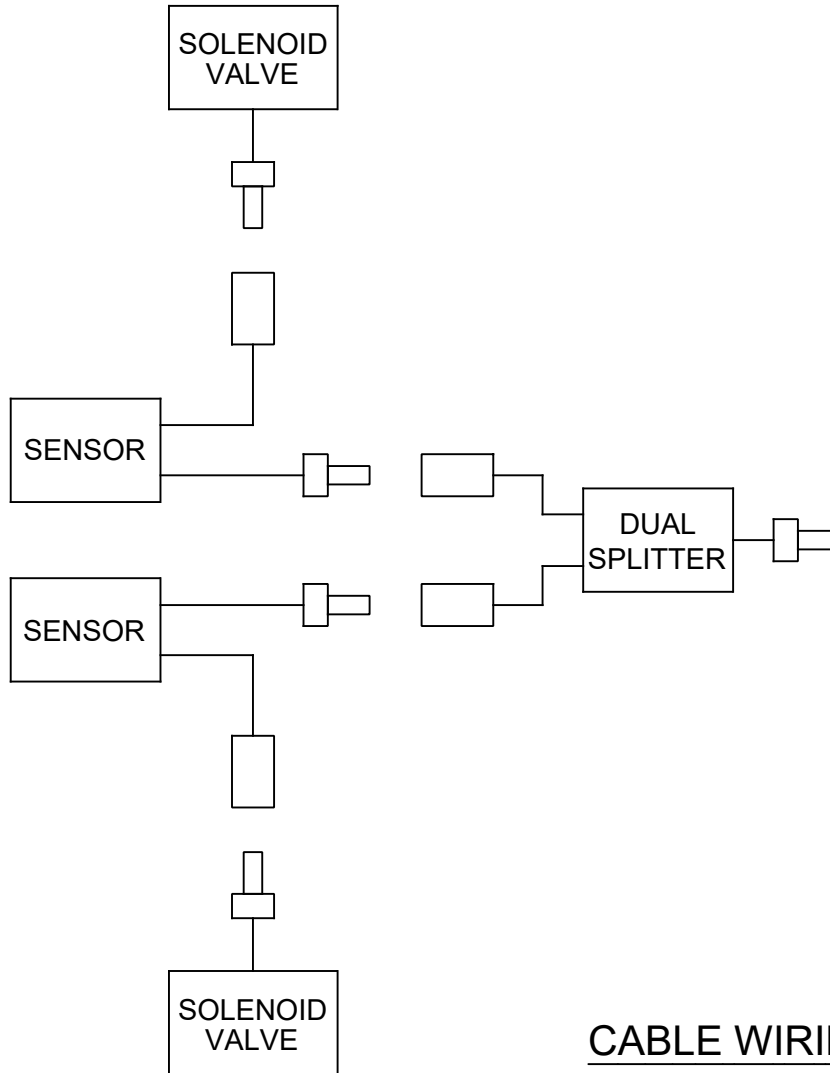
VALVE REGULATOR (2X)
5867

2RKHO.H KIT - MAIN PARTS

		Haws ®		1455 KLEPPE LANE SPARKS, NEVADA 89431 (775) 359-4712 FAX (775) 359-7424 E-MAIL: HAWS@HAWS.CO.COM WEBSITE: WWW.HAWS.CO.COM	
ECN NO. 5649	REVISED PER ECN: 5749	BY: BJM	MODEL(S)		PART NUMBER
DRAWN: BJM	DATE: 02/10/21	CHKD.: FV	2RKHO.P / 2RKHO.H		0580001156.D
APPROVED: BJM	DATE: 10/28/21		DUAL HANDS-OFF RETRO-FIT KIT		REVISION 4
SCALE: N/A		DRAWING TYPE: INSTALLATION		SIZE: A	SHEET 3 OF 4

NOTES (CONTINUED FROM SHEET 1):

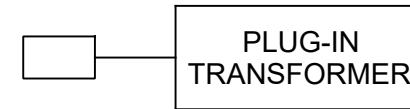
- 6. 2RKHO.H TRANSFORMER WIRE RANGE: 24-12 AWG
2RKHO.H TRANSFORMER TIGHTENING TORQUE: MAX 0.4 N*m



2RKHO.H TRANSFORMER



WIRE THE HARDWIRE TRANSFORMER TO APPROPRIATE POWER PER NEC/CEC AND LOCAL CODE. IF NEEDED, ENCLOSE TRANSFORMER IN OUTLET BOX (NOT SUPPLIED).



PLUG THE 9V TRANSFORMER INTO A DUPLEX RECEPTACLE

2RKHO.P TRANSFORMER

CABLE WIRING SCHEMATIC

			1455 KLEPPE LANE SPARKS, NEVADA 89431 (775) 359-4712 FAX (775) 359-7424 E-MAIL: HAWS@HAWS.CO.COM WEBSITE: WWW.HAWS.CO.COM		
ECN NO. 5649	REVISED PER ECN: 5749	BY: BJM	MODEL(S) 2RKHO.P / 2RKHO.H		PART NUMBER 0580001156.D
DRAWN: BJM	DATE: 02/10/21	CHK'D: FV	DUAL HANDS-OFF RETRO-FIT KIT		REVISION 4
APPROVED: BJM	DATE: 10/28/21	SCALE: N/A	DRAWING TYPE: INSTALLATION	SIZE: A	SHEET 4 OF 4