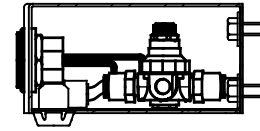


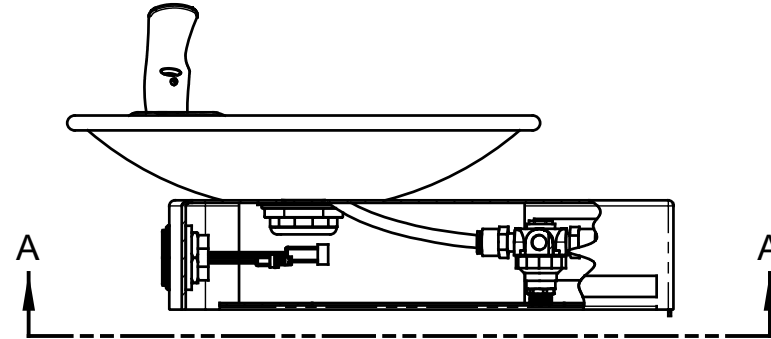
NOTES:

- 1RKHO.P AND 1RKHO.H RETROFIT KITS ALLOW INDOOR FOUNTAINS TO BE CONVERTED FROM A HAWS 5874 PUSH BUTTON VALVE TO HANDS-OFF (TOUCHLESS) OPERATION.
 FOUNTAINS (NOT SUPPLIED) MAY BE MOUNTED ON THE EXTERNAL WALL OF A BUILDING PROVIDED THE TRANSFORMER SHALL BE MOUNTED INSIDE THE WALL AND PROTECTED FROM WATER AS SHOWN IN THIS INSTALLATION PER NEC/CEC AND LOCAL CODE. AVOID DIRECT CONTACT WITH SUNLIGHT ON THE SENSOR LENS.
- RETROFIT KIT MODELS:
 1RKHO.P: INDOOR HO RETRO-FIT KIT (INCLUDES HO SENSOR WITH MOUNTING HARDWARE, SOLENOID VALVE, REGULATOR, AND 100-240V PLUG-IN TRANSFORMER - SEE SHEET 2).
 1RKHO.H: INDOOR HO RETRO-FIT KIT (INCLUDES HO SENSOR WITH MOUNTING HARDWARE, SOLENOID VALVE, REGULATOR, AND 100-277V HARDWIRE TRANSFORMER - SEE SHEET 3).
- 1RKHO.P REQUIRES 100-240VAC POWER CONNECTION. 1RKHO.H REQUIRES 100-277V POWER CONNECTION.
- TRANSFORMERS MUST BE MOUNTED SUCH THAT THEY ARE PROTECTED FROM WATER.
- 1RKHO.P TRANSFORMER IS COMPATIBLE WITH TYPE A AND TYPE B NORTH AMERICAN ELECTRICAL OUTLETS. FOR OTHER RECEPTACLE TYPES, AN ADAPTER (NOT SUPPLIED) MUST BE PROVIDED BY OTHERS.

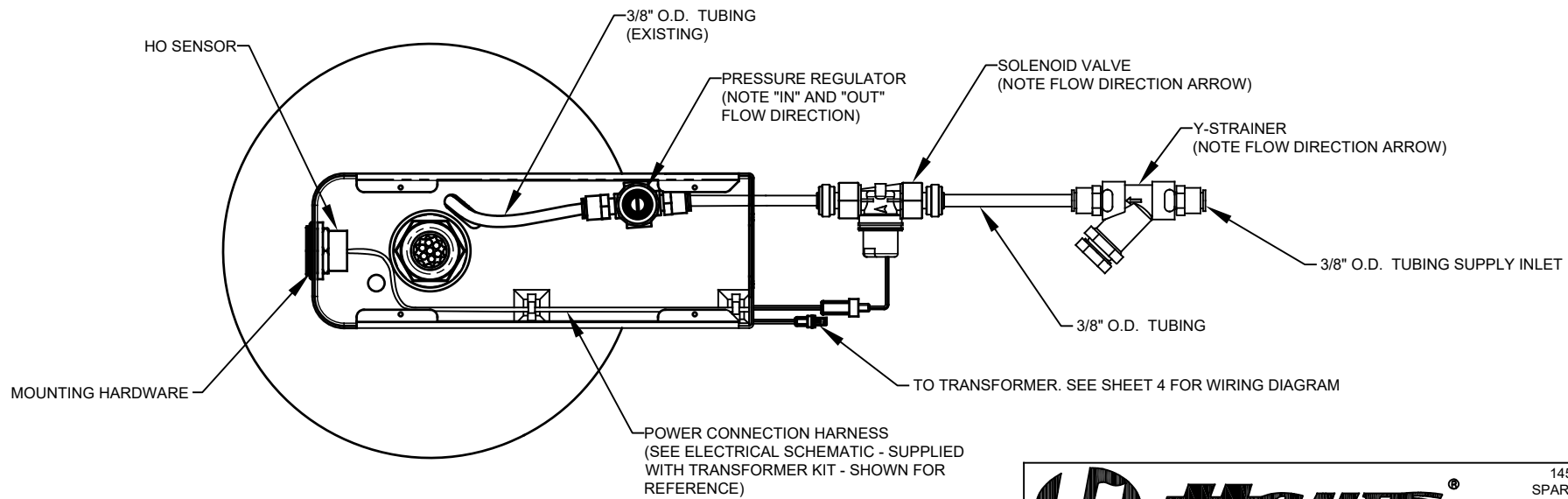
(NOTES CONTINUED ON SHEET 4)



EXAMPLE 1920 BOTTLE FILLER INSTALLATION



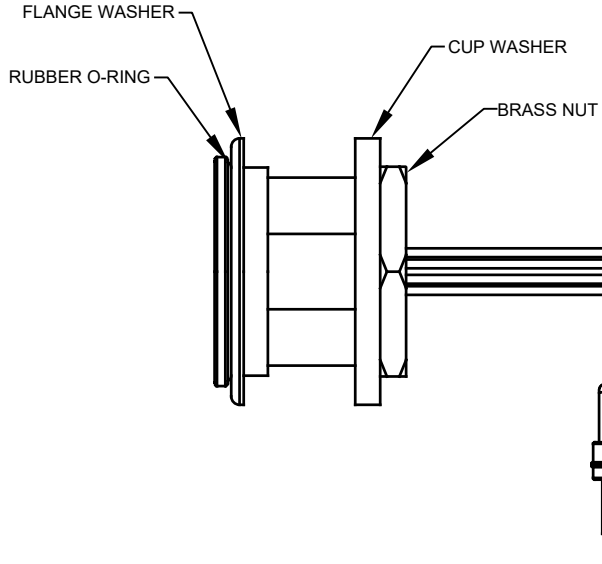
EXAMPLE 1001 FOUNTAIN INSTALLATION



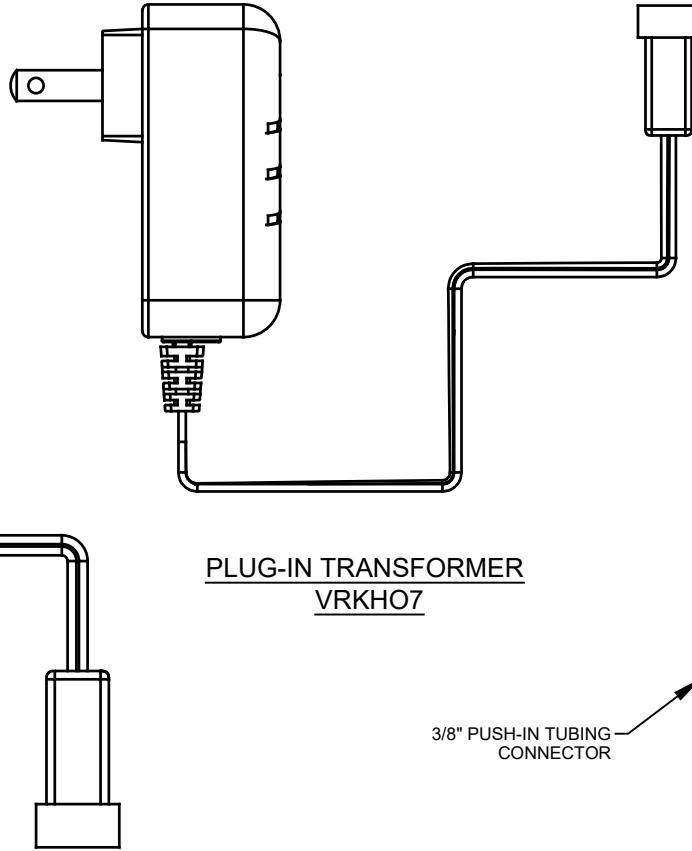
VIEW A - A

(BOTTOM PLATE OMITTED FOR CLARITY)

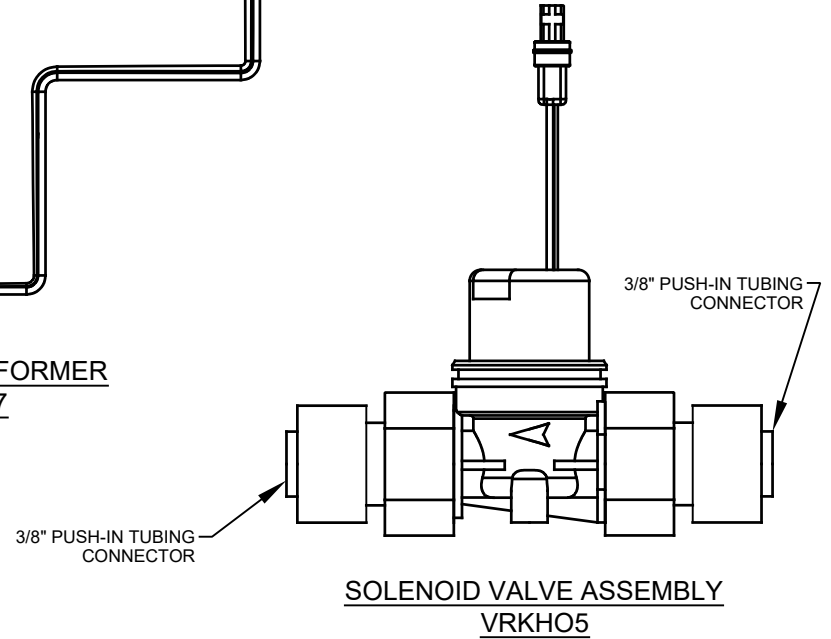
		1455 KLEPPE LANE SPARKS, NEVADA 89431 (775) 359-4712 FAX (775) 359-7424 E-MAIL: HAWS@HAWSCO.COM WEBSITE: WWW.HAWSCO.COM	
		ECN NO. 5598 DRAWN: BJM APPROVED: BJM	REVISED PER: BJM ECN: 5749 DATE: 12/23/20 DATE: 10/28/21
SCALE: N/A		DRAWING TYPE: INSTALLATION	SIZE: A SHEET 1 OF 4



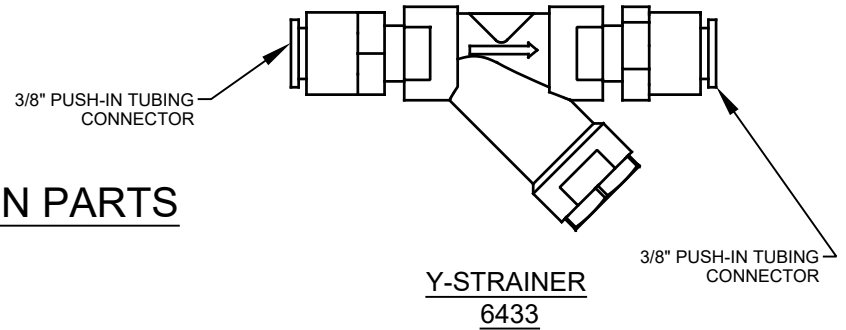
HO SENSOR ASSEMBLY
VRKH06



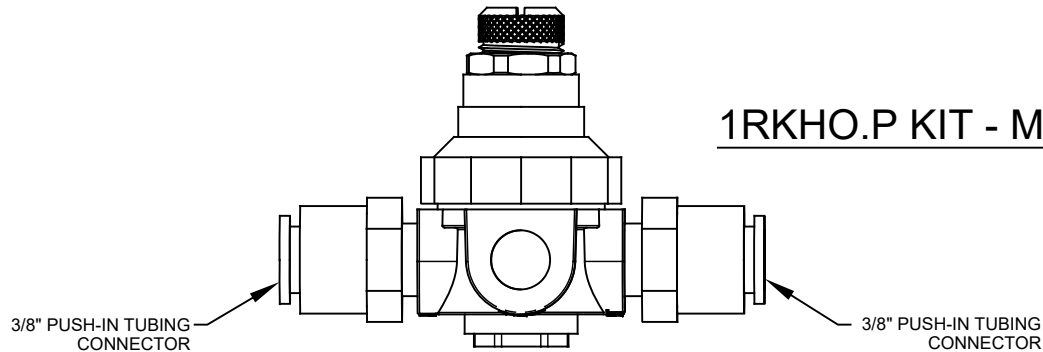
PLUG-IN TRANSFORMER
VRKH07



SOLENOID VALVE ASSEMBLY
VRKH05



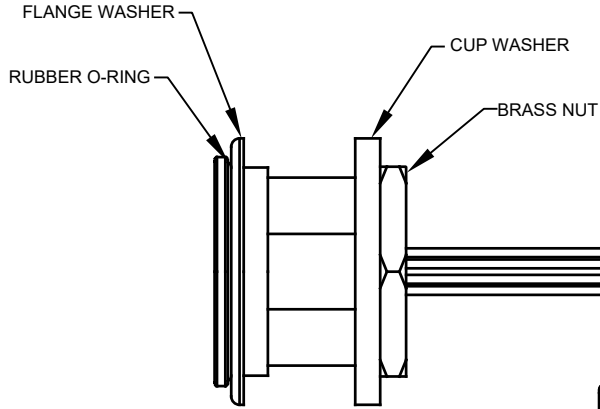
Y-STRAINER
6433



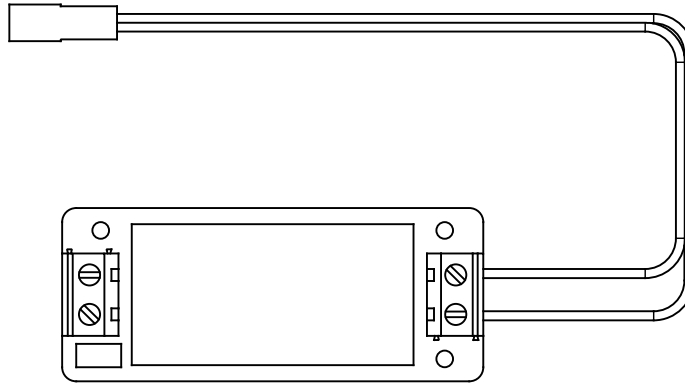
VALVE REGULATOR
5867

1RKHO.P KIT - MAIN PARTS

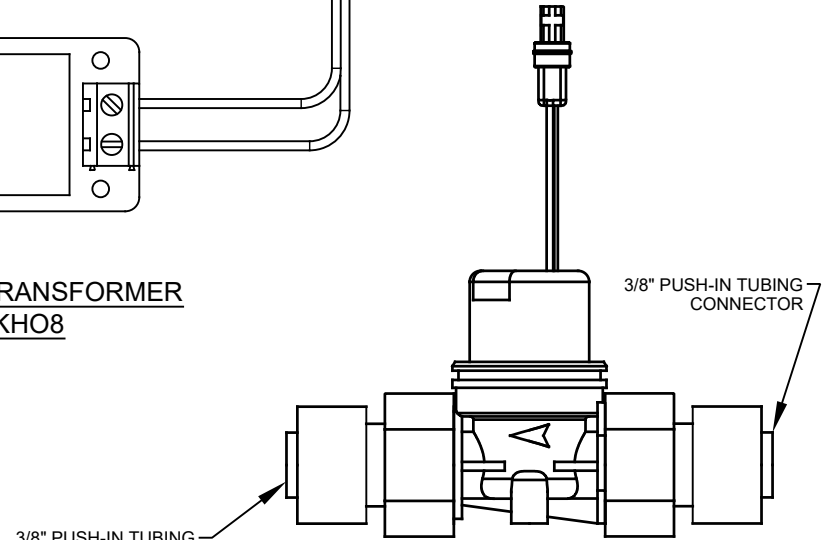
		1455 KLEPPE LANE SPARKS, NEVADA 89431 (775) 359-4712 FAX (775) 359-7424 E-MAIL: HAWS@HAWS.CO.COM WEBSITE: WWW.HAWS.CO.COM	
ECN NO. 5598	REVISED PER ECN: 5749	BY: BJM	MODEL(S) 1RKHO.P / 1RKHO.H
DRAWN: BJM	DATE: 12/23/20	CHKD.: FV	PART NUMBER 0580001133.D
APPROVED: BJM	DATE: 10/28/21	SCALE: N/A	REVISION 5
		DRAWING TYPE: INSTALLATION	SHEET 2 OF 4



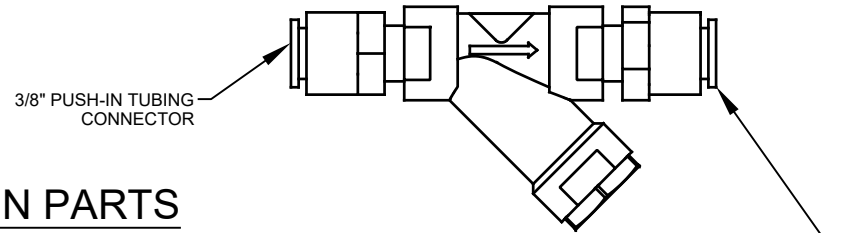
HO SENSOR ASSEMBLY
VRKH06



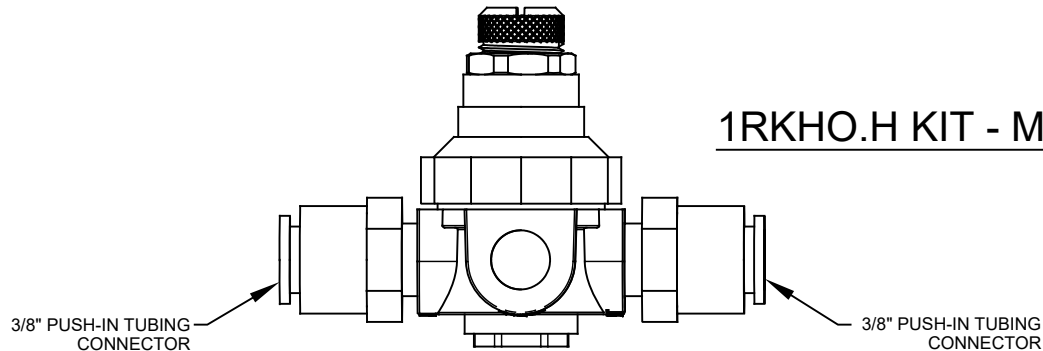
HARDWIRE TRANSFORMER
VRKH08



SOLENOID VALVE ASSEMBLY
VRKH05



Y-STRAINER
6433



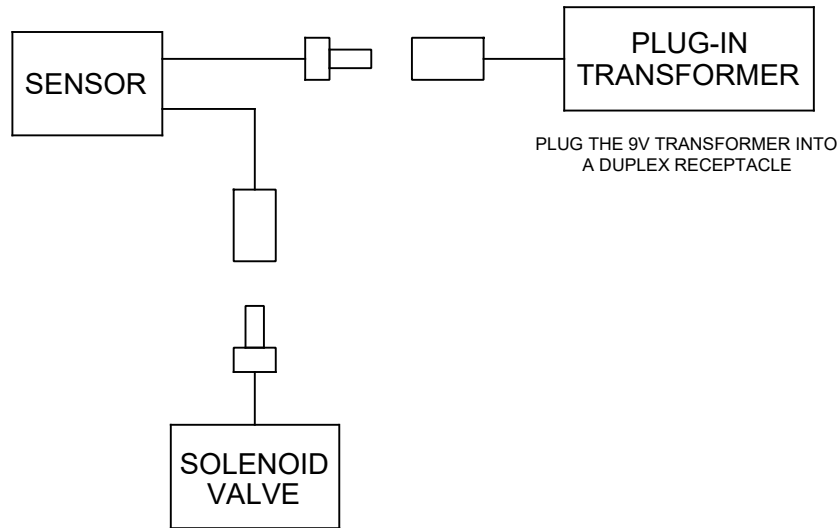
VALVE REGULATOR
5867

1RKHO.H KIT - MAIN PARTS

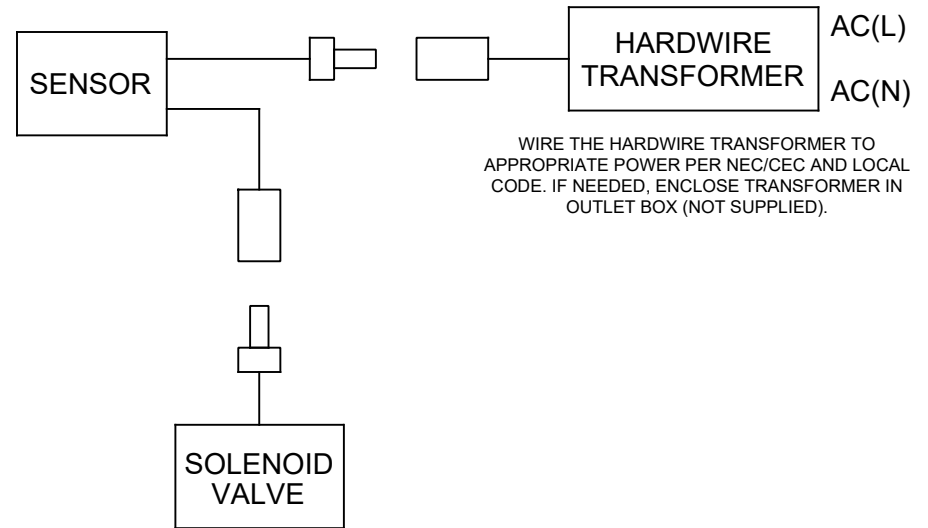
		Haws [®]		1455 KLEPPE LANE SPARKS, NEVADA 89431 (775) 359-4712 FAX (775) 359-7424 E-MAIL: HAWS@HAWSCO.COM WEBSITE: WWW.HAWSCO.COM	
ECN NO. 5598	REVISED PER ECN: 5749	BY: BJM	MODEL(S)		PART NUMBER
DRAWN: BJM	DATE: 02/09/21	CHKD.: FV	1RKHO.P / 1RKHO.H		0580001133.D
APPROVED: BJM	DATE: 10/28/21		SINGLE HANDS-OFF RETRO-FIT KIT		REVISION 4
		SCALE: N/A	DRAWING TYPE:	INSTALLATION	SIZE: A SHEET 3 OF 4

NOTES (CONTINUED FROM SHEET 1):

- 6. 1RKHO.H TRANSFORMER WIRE RANGE: 24-12 AWG
1RKHO.H TRANSFORMER TIGHTENING TORQUE: MAX 0.4 N*m



1RKHO.P CABLE WIRING SCHEMATIC



1RKHO.H CABLE WIRING SCHEMATIC

		1455 KLEPPE LANE SPARKS, NEVADA 89431 (775) 359-4712 FAX (775) 359-7424 E-MAIL: HAWS@HAWSCO.COM WEBSITE: WWW.HAWSCO.COM	
		ECN NO. 5598 DRAWN: BJM APPROVED: BJM	REVISED PER ECN: 5749 DATE: 12/23/20 DATE: 10/28/21
		PART NUMBER 0580001133.D REVISION 5	SCALE: N/A DRAWING TYPE: INSTALLATION SIZE: A SHEET 4 OF 4