

## FEATURES & BENEFITS

### ACTIVATION

Sanitary activation for enhanced hygienic hydration in public places where pushing a valve button is not recommended.

### SENSOR

Mechanical valve is replaced by infrared sensor technology for reliable operation, with 30-second obstruction time-out to reduce tampering.

### TOUCHLESS OPERATION

Touchless electric sensor allows for hands-free operation with a simple front motion, eliminating the need for manual activation.

### INSTALLATION

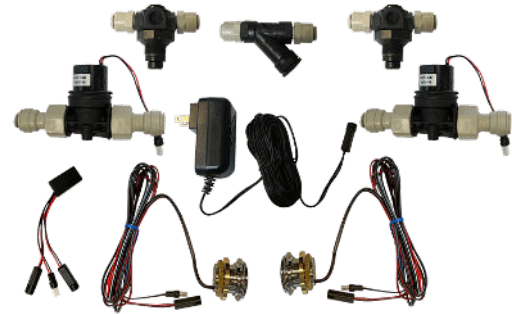
Easy to follow instructions provides quick in-field installation to change a fountain or bottle filler to sensor operation.

### SYSTEM CERTIFIED

System is certified to NSF61 and the California health and safety code 116875 (AB 1953).

## OPTIONS

For more information, visit [www.hawsc.com](http://www.hawsc.com) or call (888) 640-4297.



## SPECIFICATIONS

The Haws 2RKHO.H sensor retrofit kit includes electric solenoid valves controlled by sensors that will convert most Haws standard push button operated wall-mounted dual station drinking fountains, or a single fountain-1920 bottle filler combination to be a touchless system which allows these products to be operated hands-free. Each kit contains touchless, motion activated sensors that activate stainless steel solenoid valves to start the flow of water, valve regulators to control the amount of water delivered to the fountain or bottle filler, and a plug-in transformer (mounted inside a wall, away from water). Not intended for freeze-resistant models.

### FOR INDOOR USE ONLY

## APPLICATIONS

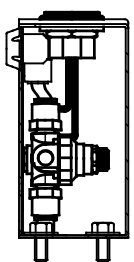
Specifically, this kit will work with Haws Models: 1011, 1011HPS, 1011HPSMS, 1011MS, 1117L, 1117LN, 1119, 1119.14, 1409, 1430, 1431, 1441, 1501, H1011.8, H1011.8HPS, H1117.8 and H1119.8. This kit can also be used with the single fountain-1920 bottle filler combination models (not intended for freeze-resistant models). Haws manufactures drinking fountains, faucets and electric water coolers to be lead-free by all known definitions including NSF/ANSI/CAN 61- Section 9, NSF/ANSI/CAN 372, California Proposition 65, and the Federal Safe Drinking Water Act. Product is compliant to California Health and Safety Code 116875 (AB 1953-2006), and NSF/ANSI/CAN 61: Q ≤ 0.5.



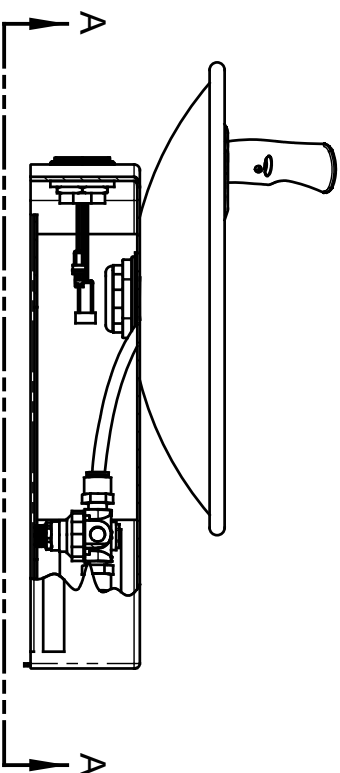
**NOTES:**

1. 2RKHO.P AND 2RKHO.H RETROFIT KITS ALLOW INDOOR FOUNTAINS TO BE CONVERTED FROM A HAWS 5874 PUSH BUTTON VALVE TO HANDS-OFF (TOUCHLESS) OPERATION. FOUNTAINS (NOT SUPPLIED) MAY BE MOUNTED ON THE EXTERNAL WALL OF A BUILDING PROVIDED THE TRANSFORMER SHALL BE MOUNTED INSIDE THE WALL AND PROTECTED FROM WATER AS SHOWN IN THIS INSTALLATION PER NEC/CEC AND LOCAL CODE. AVOID DIRECT CONTACT WITH SUNLIGHT ON THE SENSOR LENS.
2. RETROFIT KIT MODEL:  
2RKHO.P: INDOOR HO RETRO-FIT KIT (INCLUDES 2X HO SENSOR WITH MOUNTING HARDWARE, 2X SOLENOID VALVE, 2X REGULATOR, WIRE SPLITTER, AND 100-240V PLUG-IN TRANSFORMER - SEE SHEET 2).  
2RKHO.H: INDOOR HO RETRO-FIT KIT (INCLUDES 2X HO SENSOR WITH MOUNTING HARDWARE, 2X SOLENOID VALVE, 2X REGULATOR, WIRE SPLITTER, AND 100-277V HARDWIRE TRANSFORMER - SEE SHEET 3).
3. 2RKHO.P REQUIRES 100-240VAC POWER CONNECTION. 2RKHO.H REQUIRES 100-277V POWER CONNECTION.
4. TRANSFORMERS MUST BE MOUNTED SUCH THAT THEY ARE PROTECTED FROM WATER.
5. 2RKHO.P TRANSFORMER IS COMPATIBLE WITH TYPE A AND TYPE B NORTH AMERICAN ELECTRICAL OUTLETS. FOR OTHER RECEPTACLE TYPES, AN ADAPTER (NOT SUPPLIED) MUST BE PROVIDED BY OTHERS.

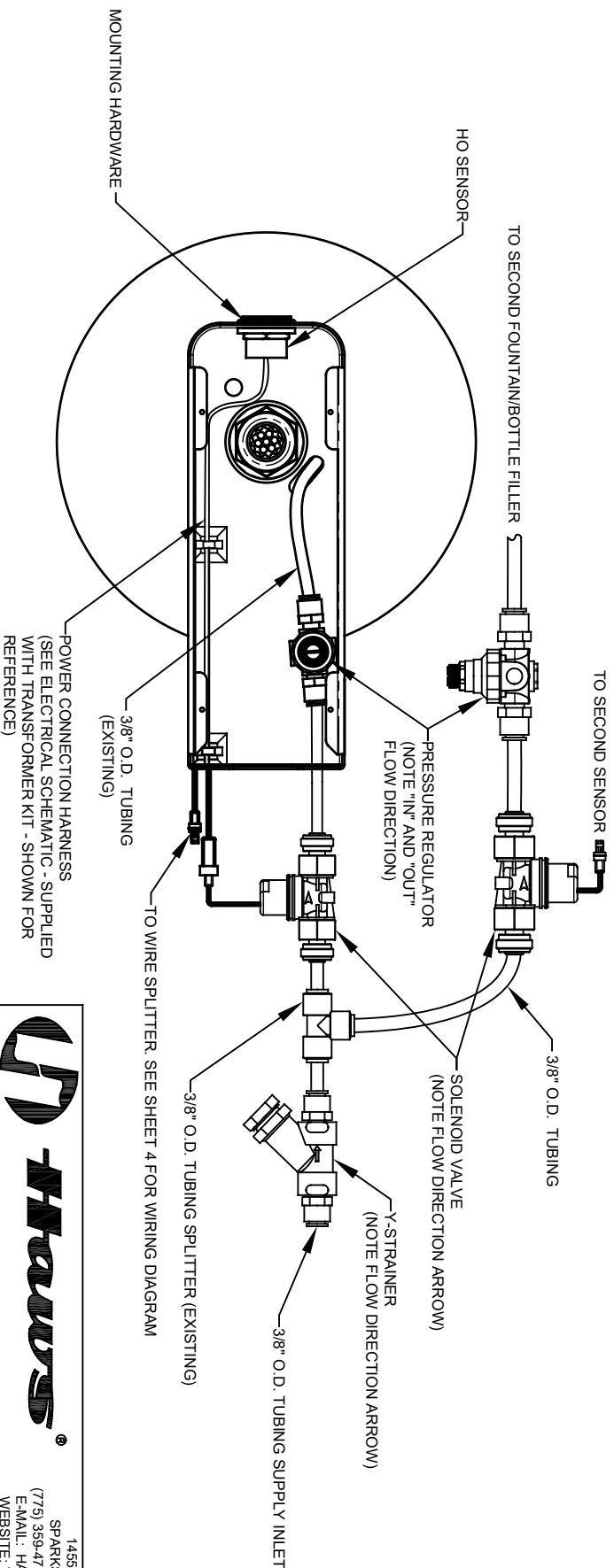
(NOTES CONTINUED ON SHEET 4)



**EXAMPLE 1920 BOTTLE FILLER INSTALLATION**



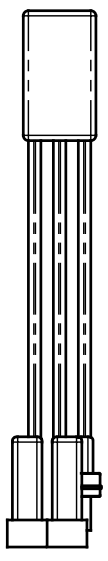
**EXAMPLE 1011 FOUNTAIN INSTALLATION**



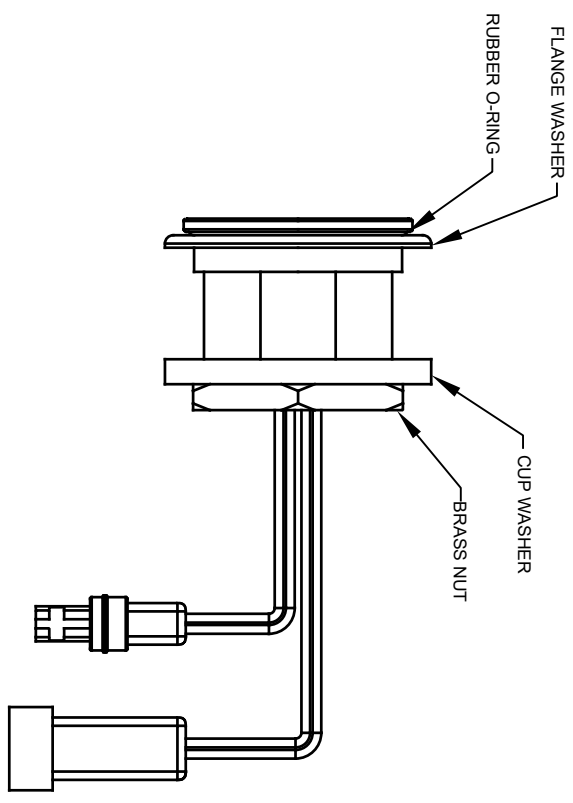
**VIEW A - A**

(BOTTOM PLATE OMITTED FOR CLARITY)

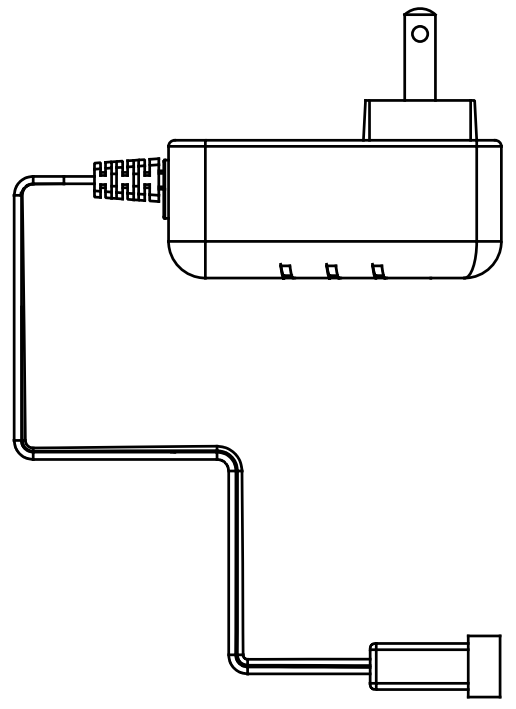
		<b>MODEL(S)</b>		2RKHO.P / 2RKHO.H	
<b>HAWS</b>		<b>DUAL HANDS-OFF RETRO-FIT KIT</b>			
1456 KLEPPE LANE SPARKS, NEVADA, 89431 (775) 359-4712 FAX (775) 359-7424 E-MAIL: HAWS@HAWSCO.COM WEBSITE: WWW.HAWSCO.COM		<b>ECN NO. REVISED PER BY:</b>		5849 B.M.	
		<b>DATE:</b>		02/10/21	
		<b>CHK'D:</b>		F.V.	
		<b>DATE:</b>		10/28/21	
		<b>SCALE:</b>		N/A	
		<b>DRAWING TYPE:</b>		INSTALLATION	
		<b>SIZE:</b>		A	
		<b>SHEET:</b>		1 OF 4	
		<b>PART NUMBER</b>		0580001156.D	
		<b>REVISION:</b>		4	



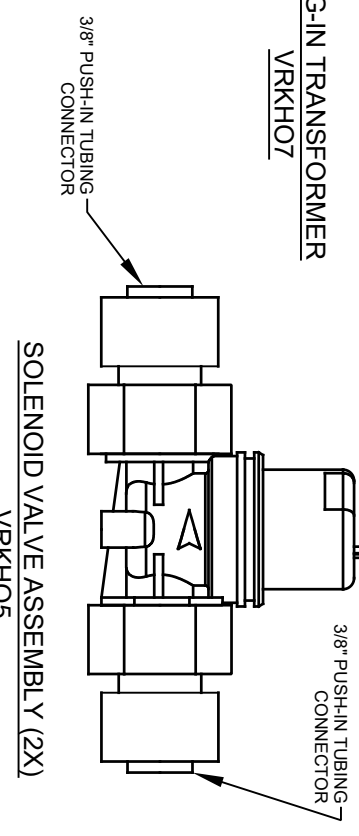
DUAL POWER SPLITTER



FLANGE WASHER  
RUBBER O-RING  
CUP WASHER  
BRASS NUT

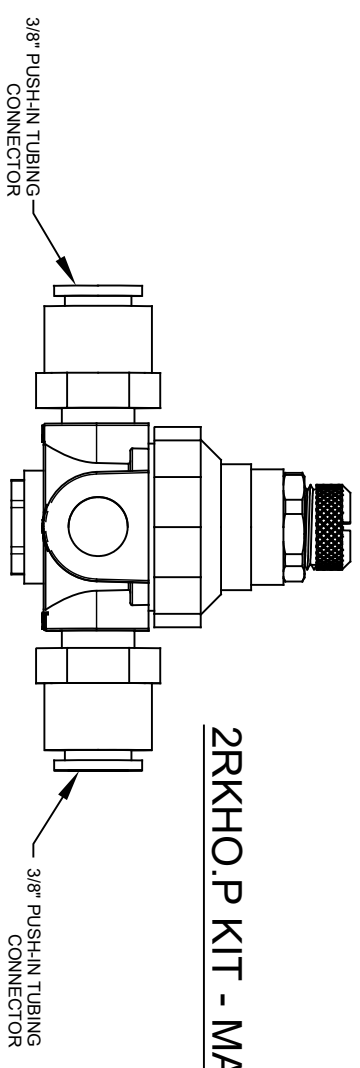


PLUG-IN TRANSFORMER  
VRKH07



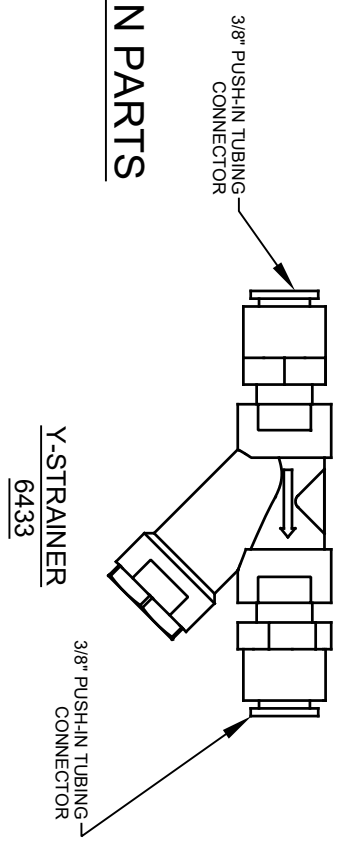
SOLENOID VALVE ASSEMBLY (2X)  
VRKH05

HO SENSOR ASSEMBLY (2X)  
VRKH06



VALVE REGULATOR (2X)  
5867

2RKHO.P KIT - MAIN PARTS



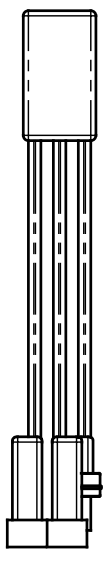
Y-STRAINER  
6433



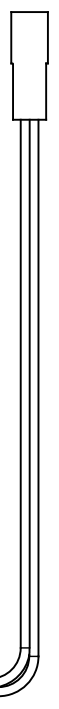
**Haws**

1459 KLEPPE LANE  
SPARKS, NEVADA 89431  
(775) 359-4712 FAX (775) 359-7424  
E-MAIL: HAWS@HAWS.CO.COM  
WEBSITE: WWW.HAWS.CO.COM

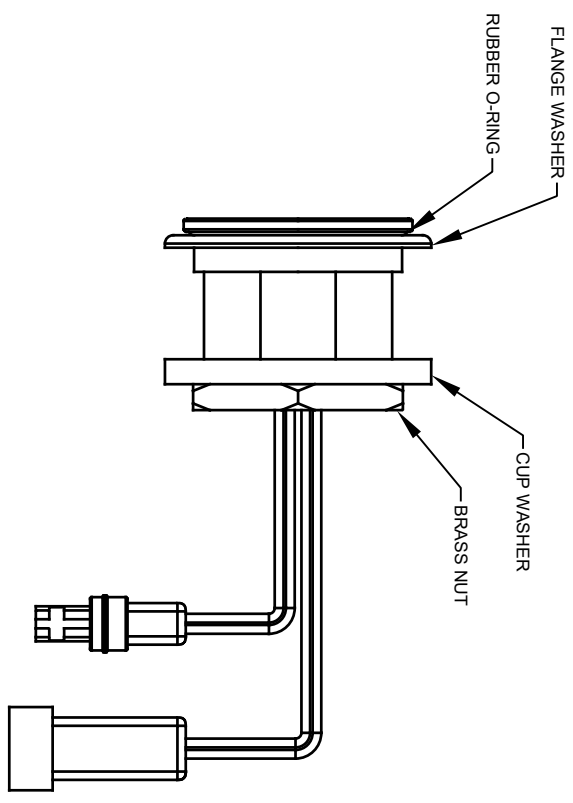
ECN NO. REVISED PER BY:	MODEL(S)	PART NUMBER
5849 5849	2RKHO.P / 2RKHO.H	0580001156.D
DATE: 02/10/21	DUAL HANDS-OFF RETRO-FIT KIT	REVISION: 4
APPROVED: BLM	SCALE: N/A	DRAWING TYPE: INSTALLATION
DATE: 10/28/21		SIZE: A
		SHEET: 2 OF 4



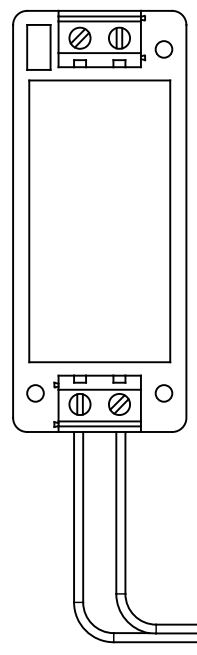
DUAL POWER SPLITTER



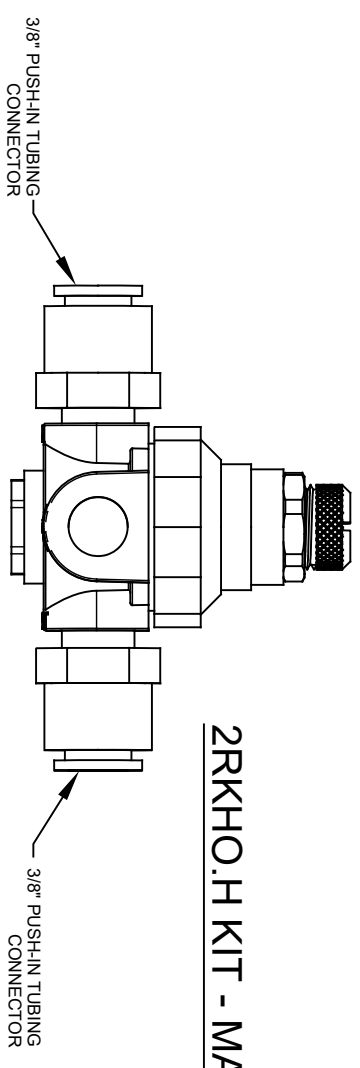
HARDWARE TRANSFORMER  
VRKH08



HO SENSOR ASSEMBLY (2X)  
VRKH06

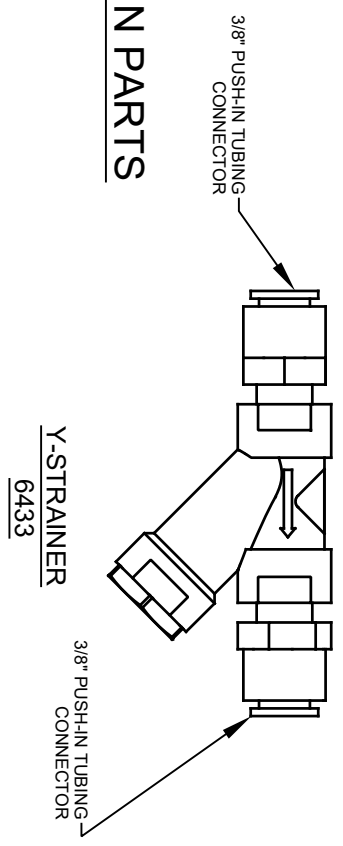


SOLENOID VALVE ASSEMBLY (2X)  
VRKH05



VALVE REGULATOR (2X)  
5867

2RKHO.H KIT - MAIN PARTS

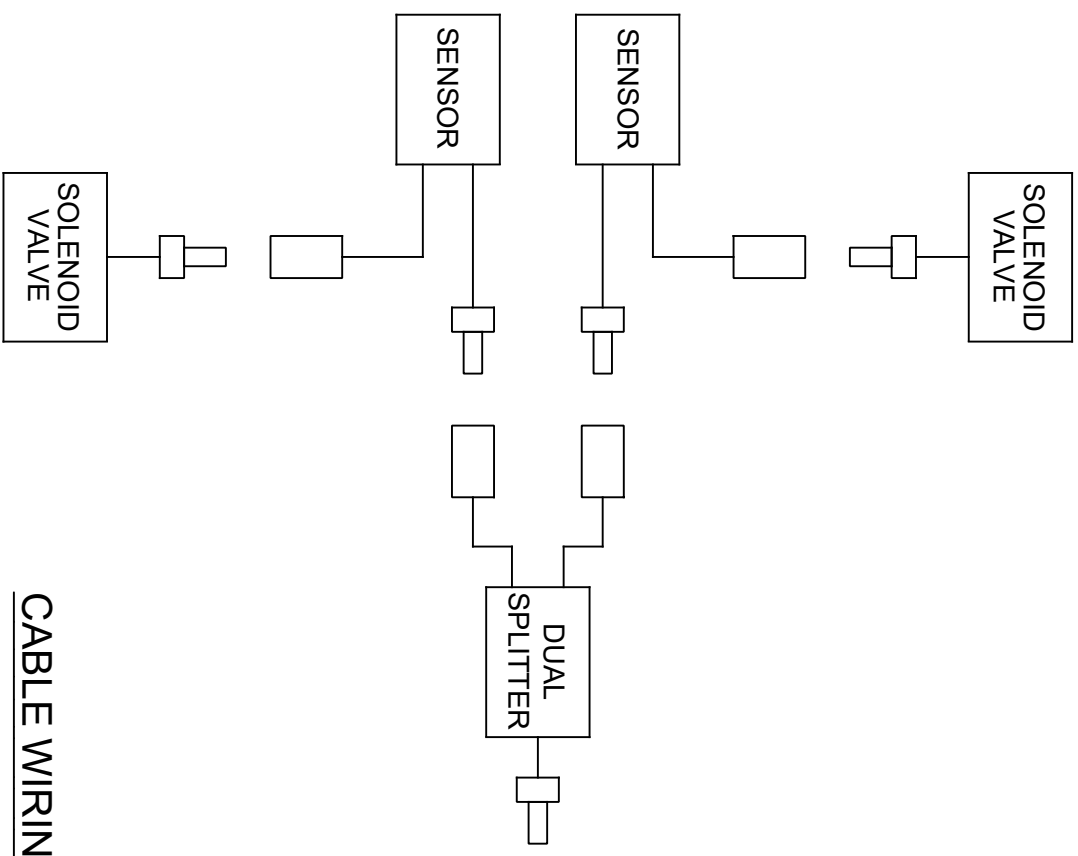


Y-STRAINER  
6433

		<b>Haws</b>	
1456 KLEPPE LANE SPARKS, NEVADA 89431 (775) 359-4712 FAX (775) 359-7424 E-MAIL: HAWS@HAWS.CO.COM WEBSITE: WWW.HAWS.CO.COM			
ECN NO. REVISED PER BY: 5849 B.M.	DATE: 02/10/21	MODEL(S)	2RKHO.P / 2RKHO.H
DRAWN: B.M.	CHK'D: F.V.	DUAL HANDS-OFF RETRO-FIT KIT	
APPROVED: B.M.	DATE: 10/20/21	SCALE: N/A	DRAWING TYPE: INSTALLATION
PART NUMBER: 0580001156.D		REVISION: 4	SHEET 3 OF 4

NOTES (CONTINUED FROM SHEET 1):

- 6. 2RKHO.H TRANSFORMER WIRE RANGE: 24-12 AWG  
2RKHO.H TRANSFORMER TIGHTENING TORQUE: MAX 0.4 N\*m

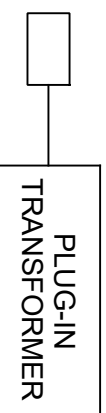


**CABLE WIRING SCHEMATIC**

**2RKHO.H TRANSFORMER**



WIRE THE HARDWARE TRANSFORMER TO APPROPRIATE POWER PER NEC/CEC AND LOCAL CODE. IF NEEDED, ENCLOSE TRANSFORMER IN OUTLET BOX (NOT SUPPLIED).



**2RKHO.P TRANSFORMER**



**Haws**

1459 KLEPPE LANE  
SPARKS, NEVADA, 89431  
(775) 359-4712 FAX (775) 359-7424  
E-MAIL: HAWS@HAWS.CO.COM  
WEBSITE: WWW.HAWS.CO.COM

ECN NO. REVISED PER BY:	MODEL(S)	PART NUMBER
5849	2RKHO.P / 2RKHO.H	0580001156.D
DRAWN: BLM	DATE: 02/10/21	REVISION: 4
APPROVED: BLM	SCALE: N/A	SHEET 4 OF 4
	DRAWING TYPE: DUAL HANDS-OFF RETRO-FIT KIT	
	INSTALLATION:	