

FEATURES & BENEFITS

ACTIVATION

Sanitary activation for enhanced hygienic hydration in public places where pushing a valve button is not recommended.

SENSOR

Mechanical valve is replaced by infrared sensor technology for reliable operation.

TOUCHLESS OPERATION

Touchless electric sensor allows for hands-free operation with a simple front motion, eliminating the need for manual activation.

INSTALLATION

Easy to follow instructions provides quick in-field installation to change a fountain or bottle filler to sensor operation.

SYSTEM CERTIFIED

System is certified to NSF61 and the California health and safety code 116875 (AB 1953).

TAMPER RESISTANT

30-second obstruction time-out to reduce tampering of sensor.



SPECIFICATIONS

The Haws 1RKHO.P sensor retrofit kit includes an electric solenoid valve controlled by a sensor that will convert most Haws standard push button operated stainless-steel single drinking fountains and 1920 series bottle fillers to be touchless systems which allows these products to be operated hands-free. Each kit contains a touchless, motion activated sensor with 30-second obstruction time-out that activates a stainless steel solenoid valve to start the flow of water, a valve regulator to control the amount of water delivered to the fountain or bottle filler, and a plug-in transformer. One kit will convert one fountain or bottle filler.

FOR INDOOR USE ONLY

For more information, visit www.hawsc.com or call (888) 640-4297.

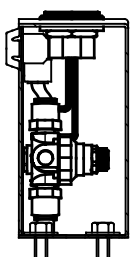
APPLICATIONS

Specifically, this kit will work with Haws models: 1001, 1001HPS, 1001HPSMS, 1001MS, 1025, 1047, 1105, 1107L, 1109, 1109.14, 1311, 1920, 1920HPS, 1920W, 1922, H1001.8, H1001.8HPS, H1107.8, and H1109.8 (not intended for freeze-resistant models). Haws manufactures drinking fountains, faucets and electric water coolers to be lead-free by all known definitions including NSF/ANSI/CAN 61- Section 9, NSF/ANSI/CAN 372, California Proposition 65, and the Federal Safe Drinking Water Act. Product is compliant to California Health and Safety Code 116875 (AB 1953-2006), and NSF/ANSI/CAN 61: Q ≤ 0.5.

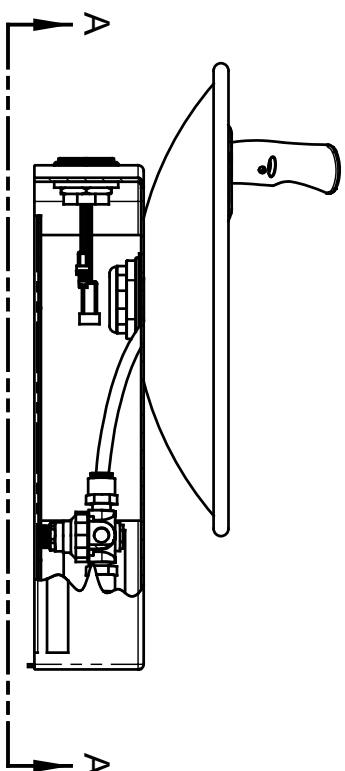
NOTES:

1. 1RKHO.P AND 1RKHO.H RETROFIT KITS ALLOW INDOOR FOUNTAINS TO BE CONVERTED FROM A HAWS 5874 PUSH BUTTON VALVE TO HANDS-OFF (TOUCHLESS) OPERATION. FOUNTAINS (NOT SUPPLIED) MAY BE MOUNTED ON THE EXTERNAL WALL OF A BUILDING PROVIDED THE TRANSFORMER SHALL BE MOUNTED INSIDE THE WALL AND PROTECTED FROM WATER AS SHOWN IN THIS INSTALLATION PER NEC/CEC AND LOCAL CODE. AVOID DIRECT CONTACT WITH SUNLIGHT ON THE SENSOR LENS.
2. RETROFIT KIT MODELS:
 1RKHO.P: INDOOR HO RETROFIT KIT (INCLUDES HO SENSOR WITH MOUNTING HARDWARE, SOLENOID VALVE, REGULATOR, AND 100-240V PLUG-IN TRANSFORMER - SEE SHEET 2).
 1RKHO.H: INDOOR HO RETROFIT KIT (INCLUDES HO SENSOR WITH MOUNTING HARDWARE, SOLENOID VALVE, REGULATOR, AND 100-277V HARDWIRE TRANSFORMER - SEE SHEET 3).
 1RKHO.P REQUIRES 100-240VAC POWER CONNECTION. 1RKHO.H REQUIRES 100-277V POWER CONNECTION.
3. TRANSFORMERS MUST BE MOUNTED SUCH THAT THEY ARE PROTECTED FROM WATER.
4. 1RKHO.P TRANSFORMER IS COMPATIBLE WITH TYPE A AND TYPE B NORTH AMERICAN ELECTRICAL OUTLETS. FOR OTHER RECEPTACLE TYPES, AN ADAPTER (NOT SUPPLIED) MUST BE PROVIDED BY OTHERS.

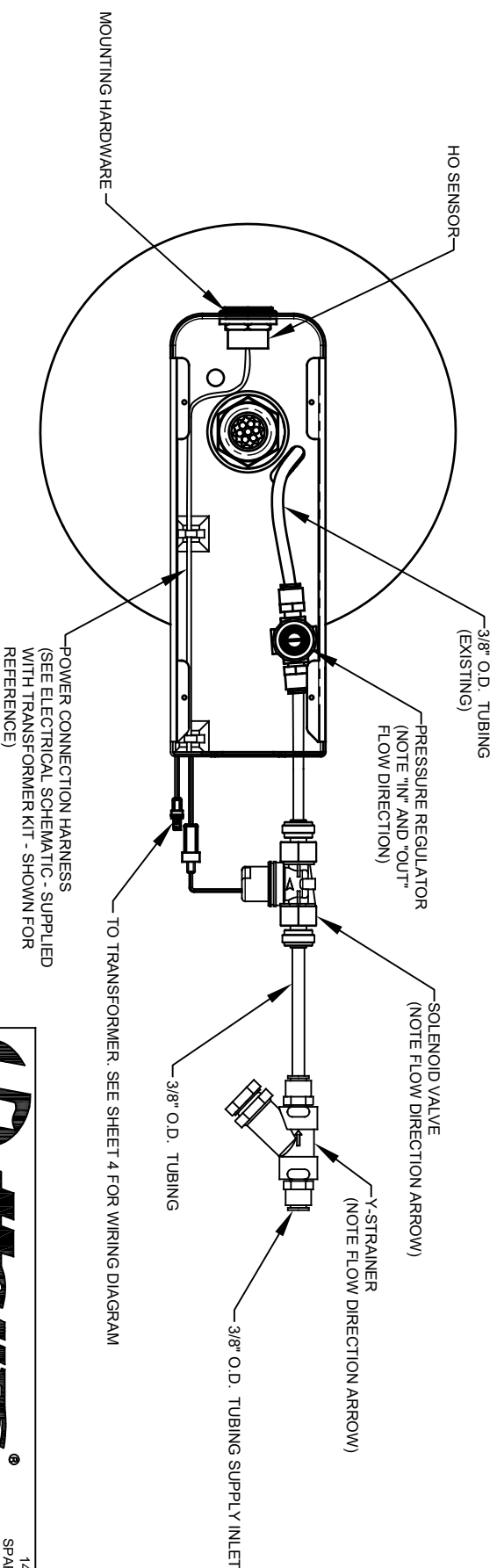
(NOTES CONTINUED ON SHEET 4)



EXAMPLE 1920 BOTTLE FILLER INSTALLATION



EXAMPLE 1001 FOUNTAIN INSTALLATION



VIEW A - A

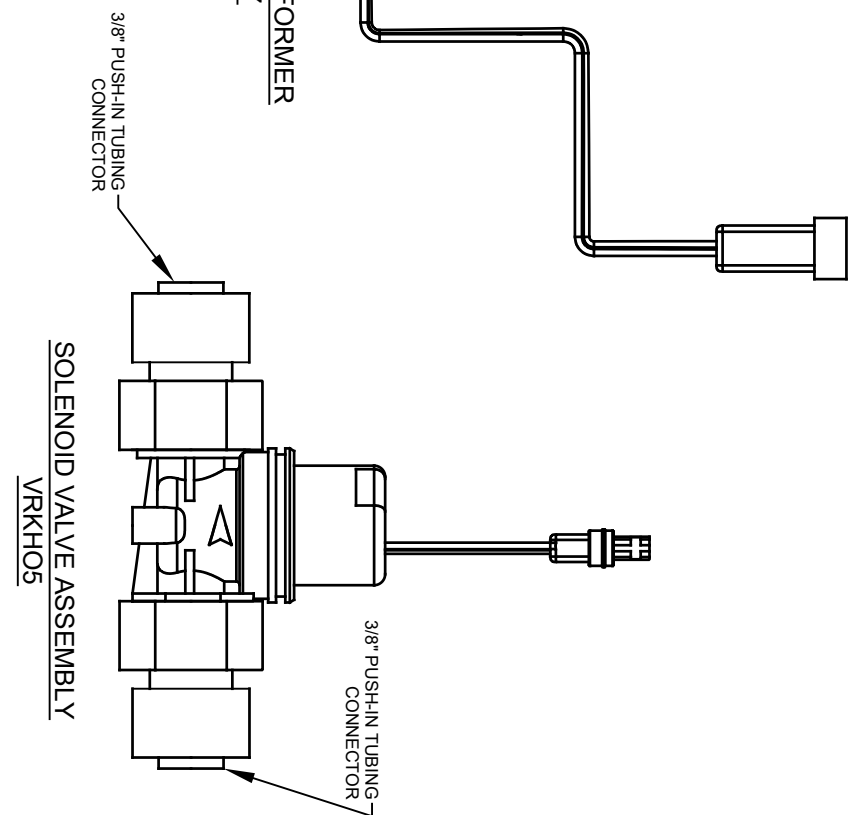
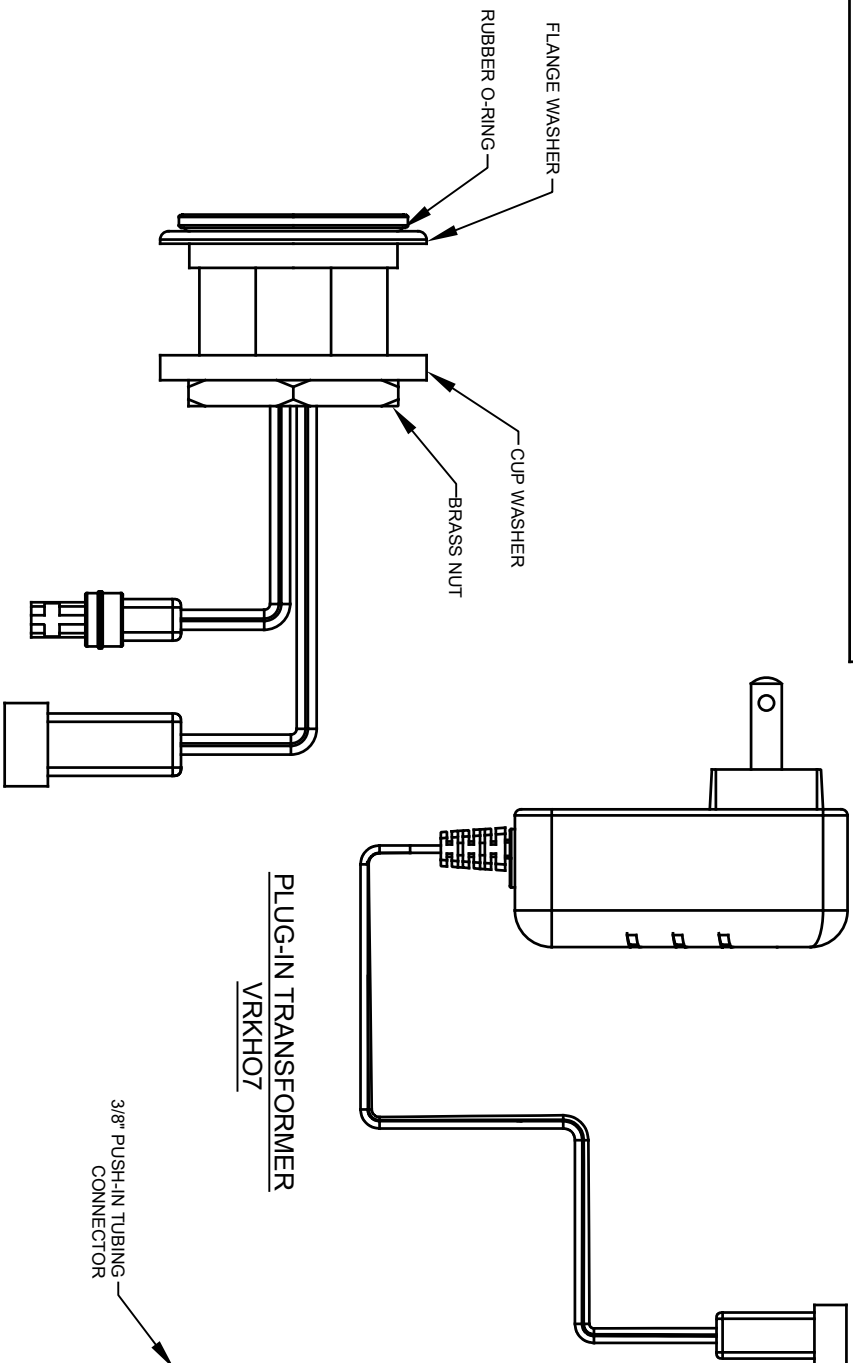
(BOTTOM PLATE OMITTED FOR CLARITY)



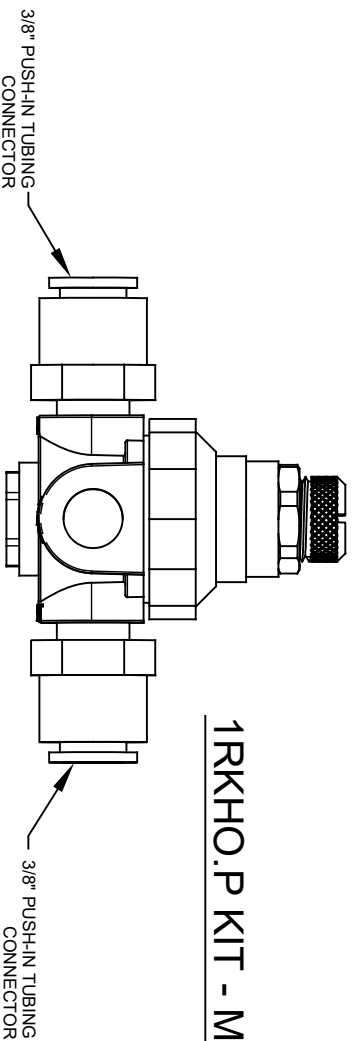
Haws

1459 KLEPPE LANE
 SPARKS, NEVADA, 89431
 (775) 359-4712 FAX (775) 359-7424
 E-MAIL: HAWS@HAWS.CO.COM
 WEBSITE: WWW.HAWS.CO.COM

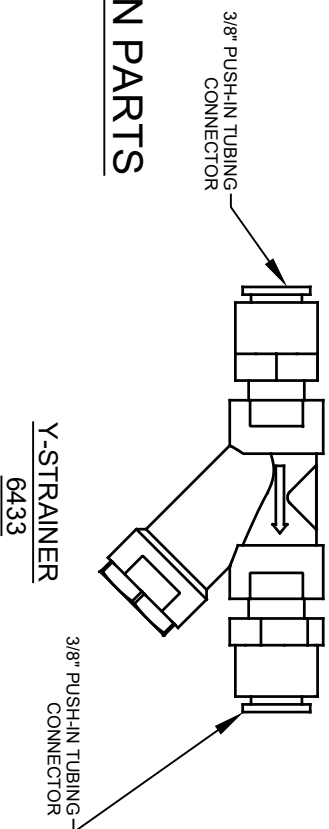
ECN NO. REVISED PER BY:	MODEL(S)	PART NUMBER
5898 ECN: 5749 B.M.	1RKHO.P / 1RKHO.H	0580001133.D
DATE: CHKD:	SINGLE HANDS-OFF RETRO-FIT KIT	REVISION:
1/23/20 EV		5
APPROVED: B.M.	SCALE: N/A	DRAWING TYPE: INSTALLATION
DATE: 10/26/21		SIZE: A SHEET: 1 OF 4



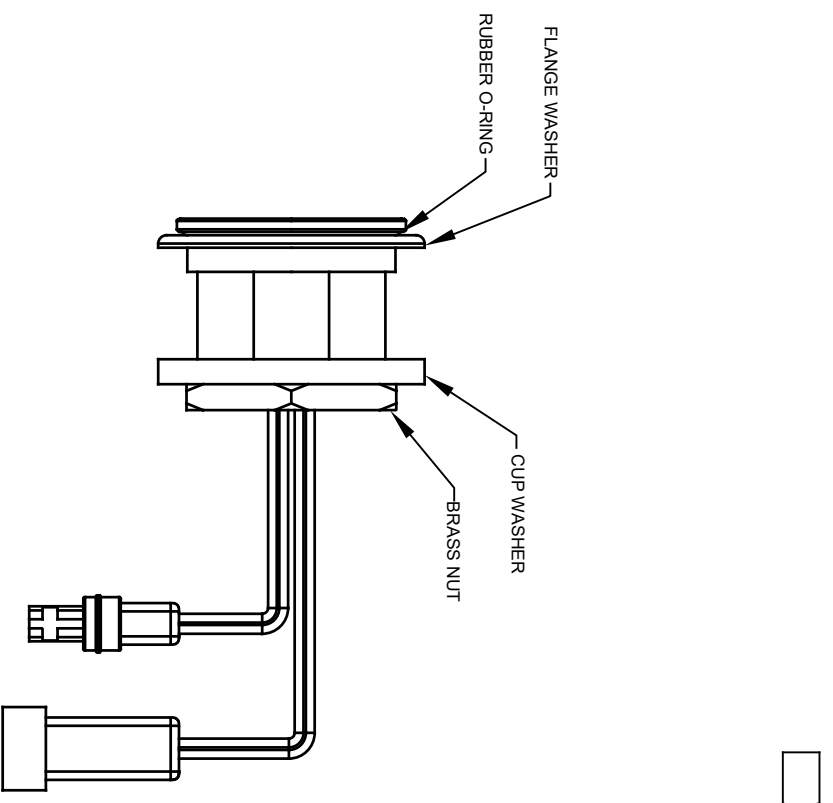
HO SENSOR ASSEMBLY
VRKH06



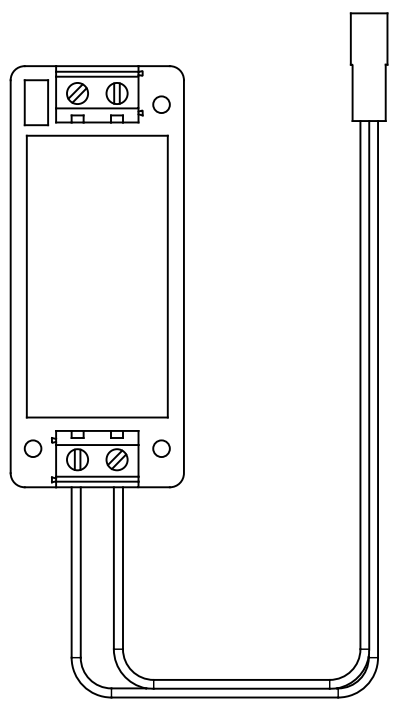
1RKHO.P KIT - MAIN PARTS



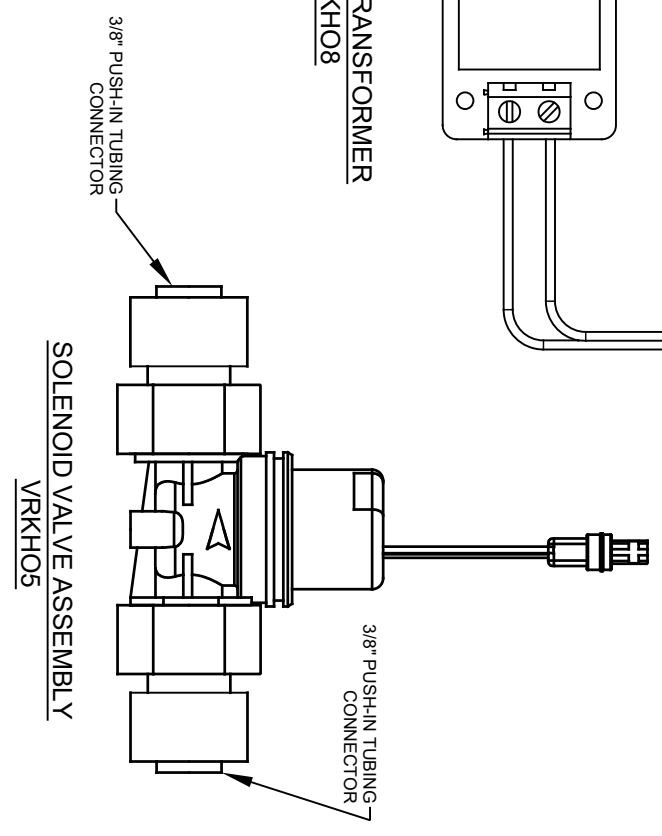
		1459 KLEPPE LANE	
		SPARKS, NEVADA, 89431	
		(775) 359-4712 FAX (775) 359-7424	
		E-MAIL: HAWS@HAWSCO.COM	
		WEBSITE: WWW.HAWSCO.COM	
ECN NO. REVISED PER BY:	MODEL(S)	PART NUMBER	
5898 ECN: 5749 BIM	1RKHO.P / 1RKHO.H	0580001133.D	
DATE: 1/22/20	DATE: BIM	REVISION: 5	
CHK'D: EV	DATE: BIM	REVISION: 5	
APPROVED: BIM	SCALE: N/A	DRAWING TYPE: INSTALLATION	
DATE: 10/28/21	SCALE: N/A	DRAWING TYPE: INSTALLATION	
SINGLE HANDS-OFF RETRO-FIT KIT		SIZE: A SHEET 2 OF 4	



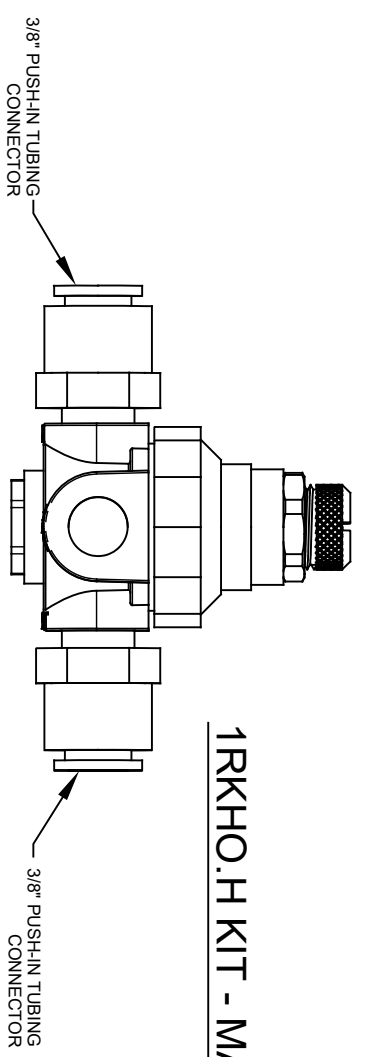
HO SENSOR ASSEMBLY
VRKH06



HARDWARE TRANSFORMER
VRKH08

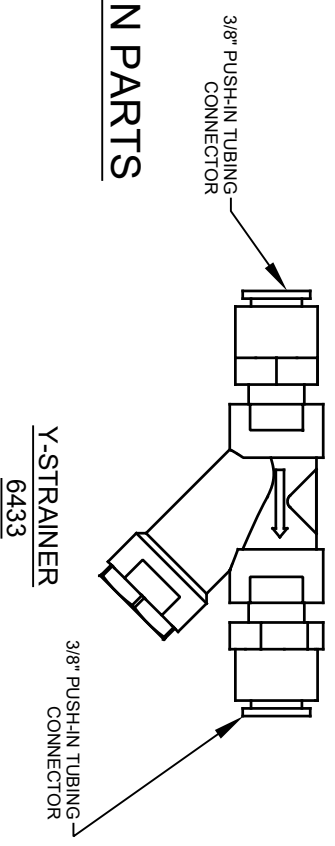


SOLENOID VALVE ASSEMBLY
VRKH05



VALVE REGULATOR
5867

1RKHO.H KIT - MAIN PARTS



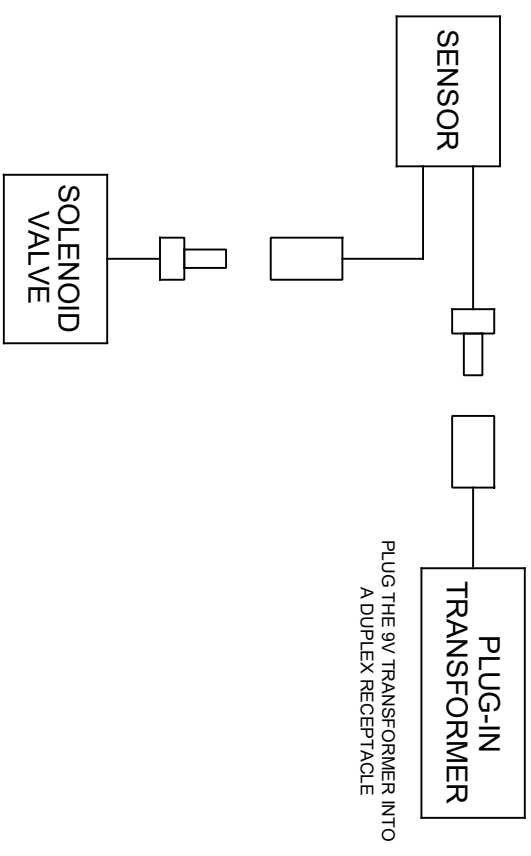
Haws

1459 KLEPPE LANE
SPARKS, NEVADA, 89431
(775) 359-4712 FAX (775) 359-7424
E-MAIL: HAWS@HAWS.CO.COM
WEBSITE: WWW.HAWS.CO.COM

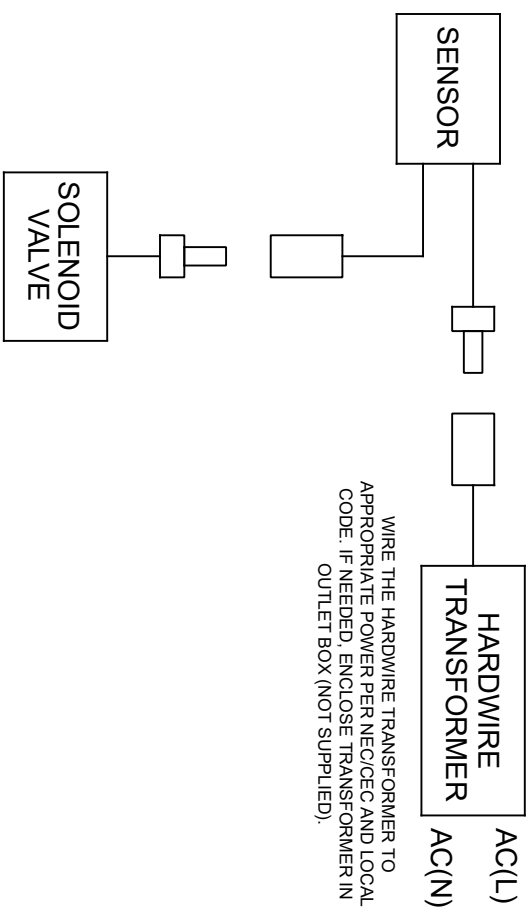
ECN NO. REVISED PER BY:	5898	ECN. 5749	BLM	MODEL(S)	1RKHO.P / 1RKHO.H	PART NUMBER	0580001133.D
DRAWN:	BLM	DATE:	02/09/21	CHK'D:	EV	REVISION:	4
APPROVED:	BLM	DATE:	10/20/21	SCALE:	N/A	DRAWING TYPE:	INSTALLATION
				SINGLE HANDS-OFF RETRO-FIT KIT			
		SIZE:	A	SHEET:		3 OF 4	

NOTES (CONTINUED FROM SHEET 1):


- 6. 1RKHO.H TRANSFORMER WIRE RANGE: 24-12 AWG
1RKHO.H TRANSFORMER TIGHTENING TORQUE: MAX 0.4 N*m



1RKHO.P CABLE WIRING SCHEMATIC



1RKHO.H CABLE WIRING SCHEMATIC

		1459 KLEPPE LANE SPARKS, NEVADA, 89431 (775) 359-4712 FAX (775) 359-7424 E-MAIL: HAWS@HAWS.CO.COM WEBSITE: WWW.HAWS.CO.COM	
		MODEL(S) 1RKHO.P / 1RKHO.H SINGLE HANDS-OFF RETRO-FIT KIT	
ECN NO. REVISED PER BY: 5898 ECN: 5749 BIM	DATE: BIM 12/23/20 EV	APPROVED: DATE: BIM 10/20/21	SCALE: DRAWING TYPE: N/A INSTALLATION
PART NUMBER 0580001133.D		REVISION: 5	