

## FEATURES & BENEFITS

### ACTIVATION

Sanitary activation for enhanced hygienic hydration in public places where pushing a valve button is not recommended.

### SENSOR

Mechanical valve is replaced by infrared sensor technology for reliable operation.

### TOUCHLESS OPERATION

Touchless electric sensor allows for hands-free operation with a simple front motion, eliminating the need for manual activation.

### INSTALLATION

Easy to follow instructions provides quick in-field installation to change a fountain or bottle filler to sensor operation.

### SYSTEM CERTIFIED

System is certified to NSF61 and the California health and safety code 116875 (AB 1953).

### TAMPER RESISTANT

30-second obstruction time-out to reduce tampering of sensor.



For more information, visit [www.hawsc.com](http://www.hawsc.com) or call (888) 640-4297.

## SPECIFICATIONS

The Haws 1RKHO.H sensor retrofit kit includes an electric solenoid valve controlled by a sensor that will convert most Haws standard push button operated wall-mounted single station drinking fountains, and 1920 bottle fillers to be touchless, which allows these products to be operated hands-free. Each kit contains a touchless, motion activated sensor with 30-second obstruction time-out that activates a stainless steel solenoid valve to start the flow of water, a valve regulator to control the amount of water delivered to the fountain or bottle filler, and a hard-wired transformer (mounted inside a wall, away from water). Not intended for freeze-resistant models.

**FOR INDOOR USE ONLY**

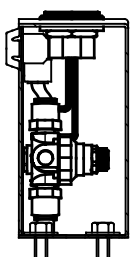
## APPLICATIONS

Specifically, this kit will work with Haws models: 1001, 1001HPS, 1001HPSMS, 1001MS, 1025, 1047, 1105, 1107L, 1109, 1109.14, 1311, 1920, 1920HPS, 1920W, 1922, H1001.8, H1001.8HPS, H1107.8, and H1109.8 (not intended for freeze-resistant models). Haws manufactures drinking fountains, faucets and electric water coolers to be lead-free by all known definitions including NSF/ANSI/CAN 61- Section 9, NSF/ANSI/CAN 372, California Proposition 65, and the Federal Safe Drinking Water Act. Product is compliant to California Health and Safety Code 116875 (AB 1953-2006), and NSF/ANSI/CAN 61: Q ≤ 0.5.

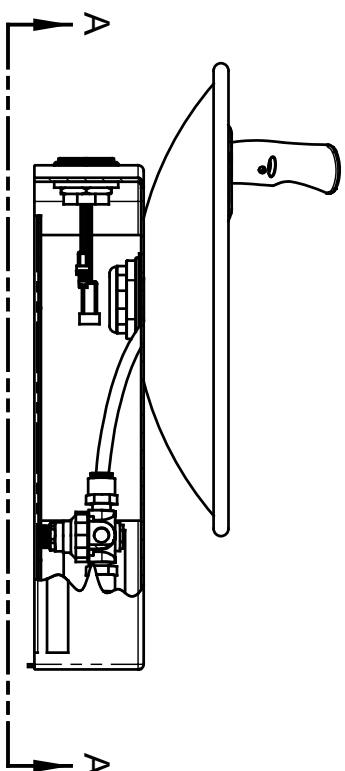
**NOTES:**

- 1RKH0.P AND 1RKH0.H RETROFIT KITS ALLOW INDOOR FOUNTAINS TO BE CONVERTED FROM A HAWS 5874 PUSH BUTTON VALVE TO HANDS-OFF (TOUCHLESS) OPERATION. FOUNTAINS (NOT SUPPLIED) MAY BE MOUNTED ON THE EXTERNAL WALL OF A BUILDING PROVIDED THE TRANSFORMER SHALL BE MOUNTED INSIDE THE WALL AND PROTECTED FROM WATER AS SHOWN IN THIS INSTALLATION PER NEC/CEC AND LOCAL CODE. AVOID DIRECT CONTACT WITH SUNLIGHT ON THE SENSOR LENS.
- RETROFIT KIT MODELS:  
 1RKH0.P: INDOOR HO RETROFIT KIT (INCLUDES HO SENSOR WITH MOUNTING HARDWARE, SOLENOID VALVE, REGULATOR, AND 100-240V PLUG-IN TRANSFORMER - SEE SHEET 2).  
 1RKH0.H: INDOOR HO RETROFIT KIT (INCLUDES HO SENSOR WITH MOUNTING HARDWARE, SOLENOID VALVE, REGULATOR, AND 100-277V HARDWIRE TRANSFORMER - SEE SHEET 3).  
 1RKH0.P REQUIRES 100-240VAC POWER CONNECTION. 1RKH0.H REQUIRES 100-277V POWER CONNECTION.
- TRANSFORMERS MUST BE MOUNTED SUCH THAT THEY ARE PROTECTED FROM WATER.
- 1RKH0.P TRANSFORMER IS COMPATIBLE WITH TYPE A AND TYPE B NORTH AMERICAN ELECTRICAL OUTLETS. FOR OTHER RECEPTACLE TYPES, AN ADAPTER (NOT SUPPLIED) MUST BE PROVIDED BY OTHERS.

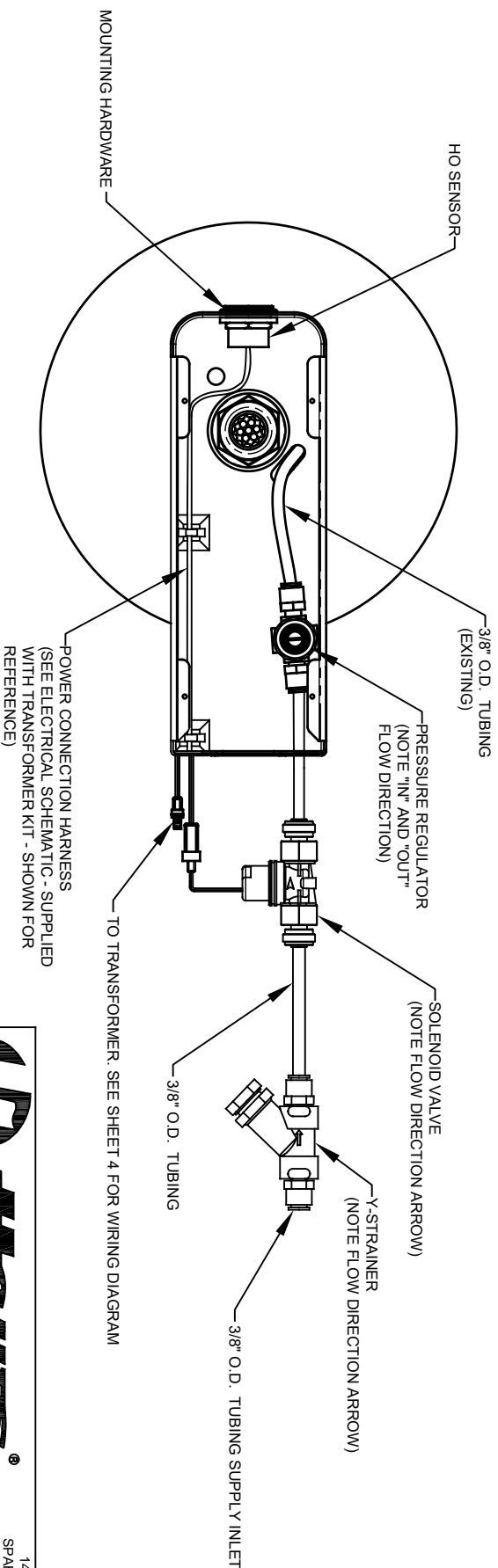
(NOTES CONTINUED ON SHEET 4)



**EXAMPLE 1920 BOTTLE FILLER INSTALLATION**



**EXAMPLE 1001 FOUNTAIN INSTALLATION**



**VIEW A - A**

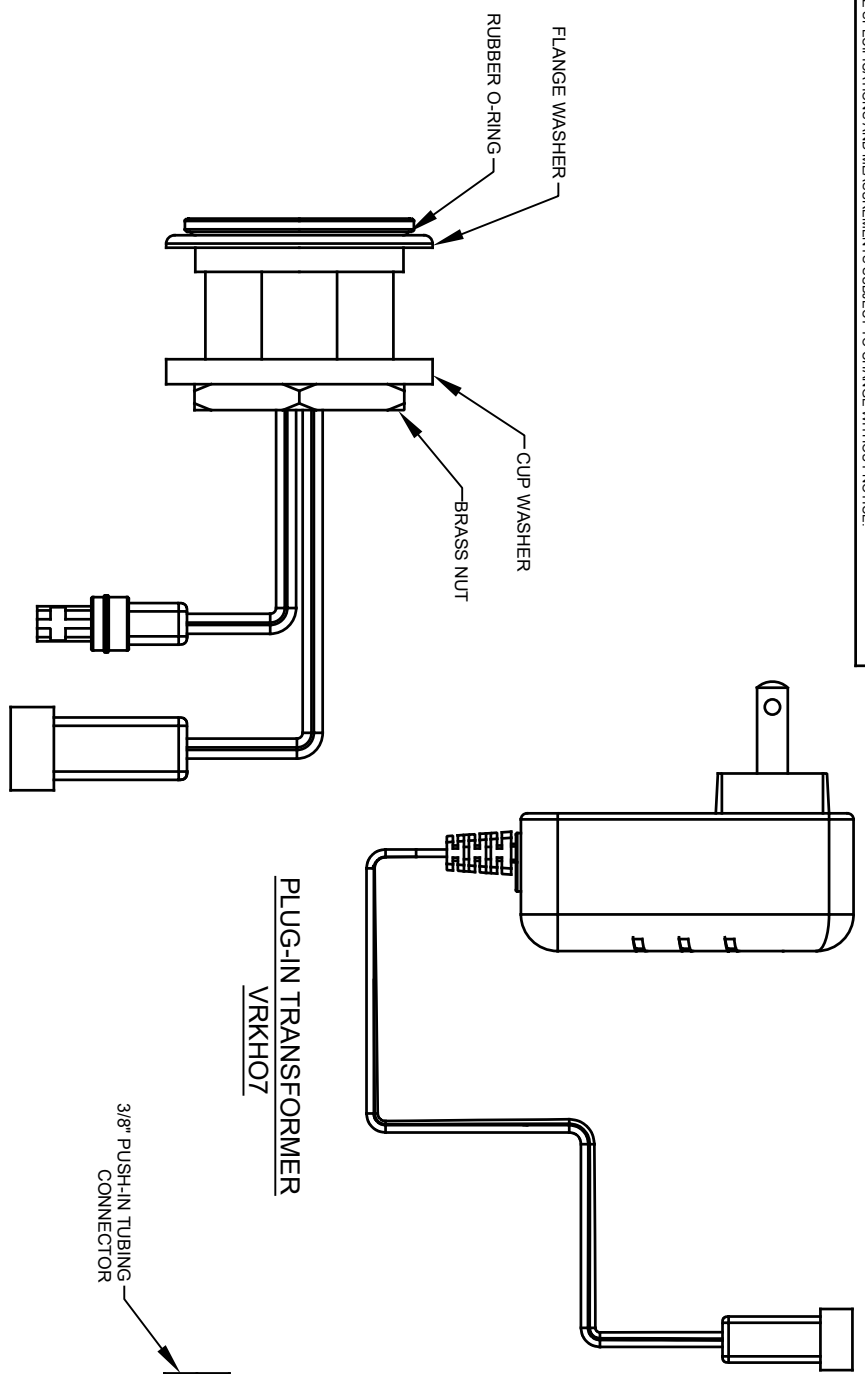
(BOTTOM PLATE OMITTED FOR CLARITY)



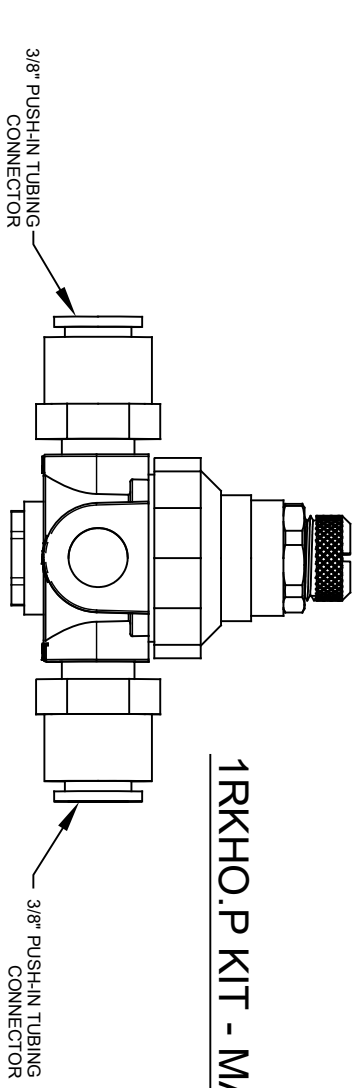
**Haws**

1459 KLEPPE LANE  
 SPARKS, NEVADA, 89431  
 (775) 359-4712 FAX (775) 359-7424  
 E-MAIL: HAWS@HAWS.CO.COM  
 WEBSITE: WWW.HAWS.CO.COM

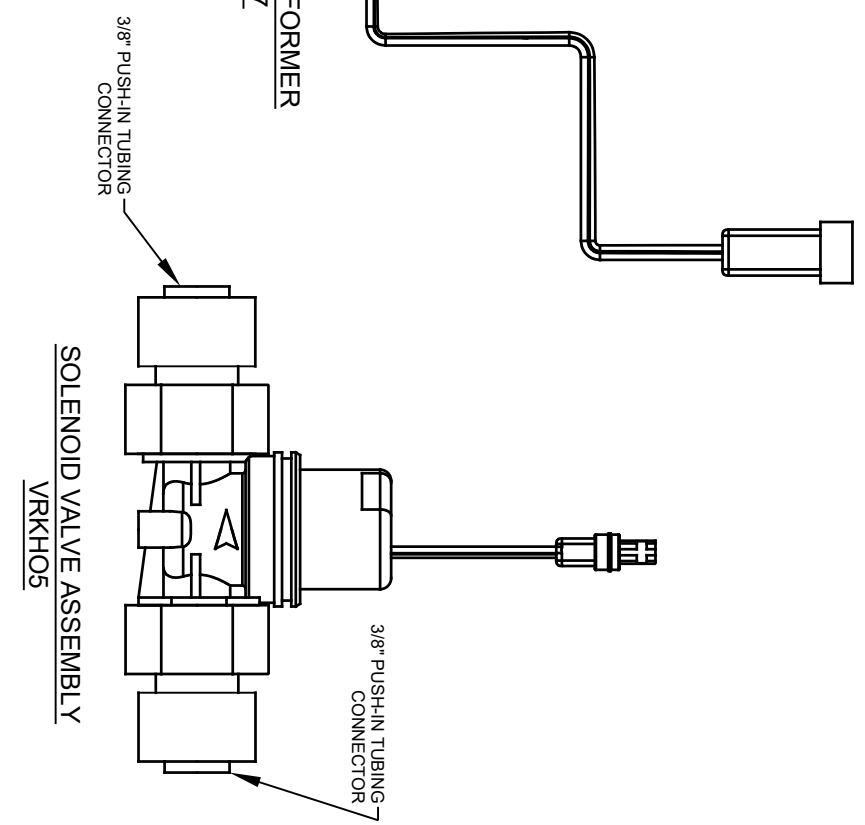
ECN NO. REVISED PER BY:	MODEL(S)	PART NUMBER
5898 ECN: 5749 B.M.	1RKH0.P / 1RKH0.H	0580001133.D
DATE: CHKD:	SINGLE HANDS-OFF RETRO-FIT KIT	REVISION:
1/23/20 EV		5
APPROVED: B.M.	SCALE: N/A	DRAWING TYPE: INSTALLATION
DATE: 10/20/21		SIZE: A SHEET: 1 OF 4



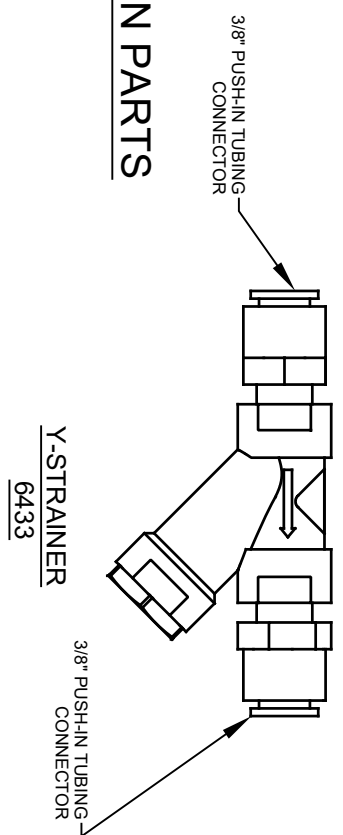
HO SENSOR ASSEMBLY  
VRKH06



1RKHO.P KIT - MAIN PARTS

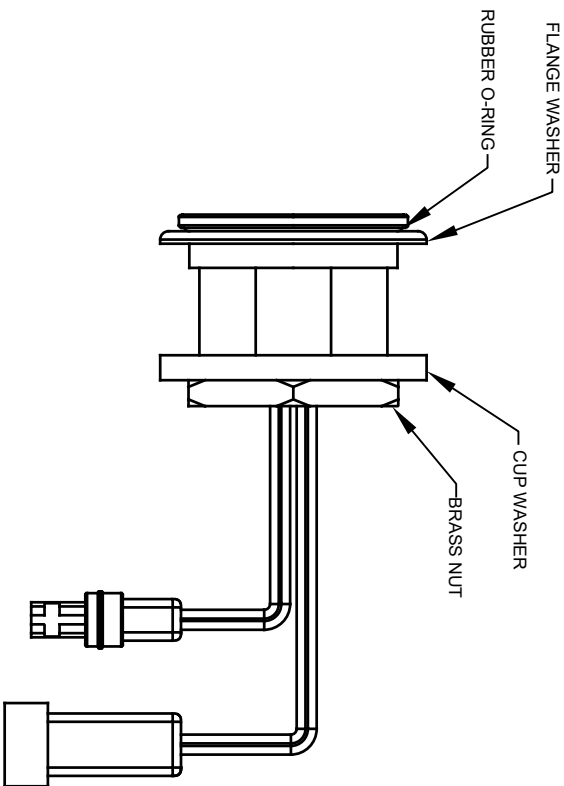


SOLENOID VALVE ASSEMBLY  
VRKH05

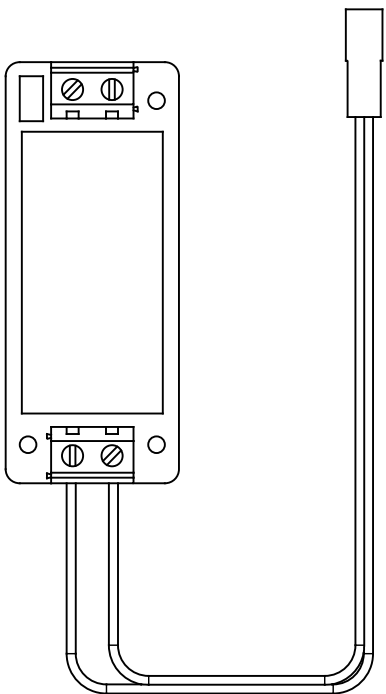


Y-STRAINER  
6433

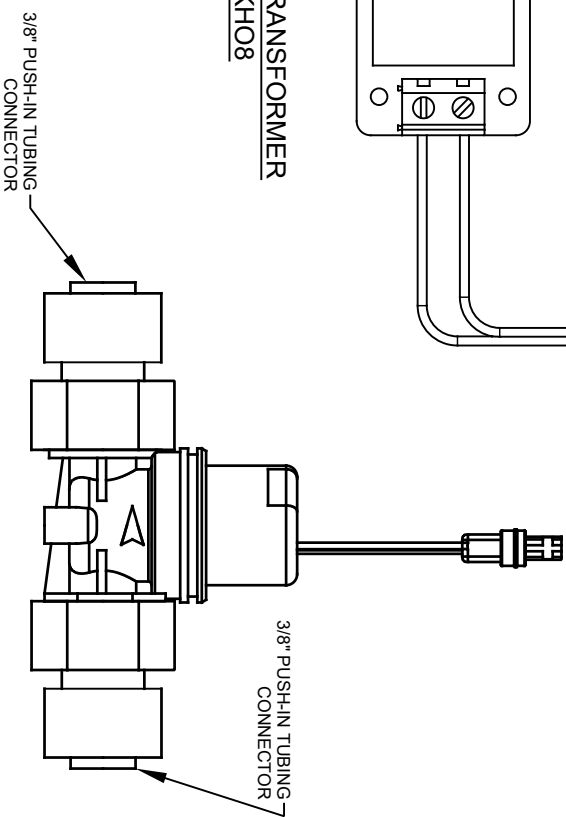
		<b>Haws</b>	
1459 KLEPPE LANE SPARKS, NEVADA, 89431 (775) 359-4712 FAX (775) 359-7424 E-MAIL: HAWS@HAWSCO.COM WEBSITE: WWW.HAWSCO.COM			
ECN NO. REVISED PER BY:	DATE:	ECN NO. REVISED PER BY:	DATE:
5898	12/23/20	5898	12/23/20
APPROVED: BIM	SCALE: N/A	APPROVED: BIM	SCALE: N/A
10/20/21	DRAWING TYPE:	10/20/21	DRAWING TYPE:
MODEL(S)	1RKHO.P / 1RKHO.H	MODEL(S)	1RKHO.P / 1RKHO.H
SINGLE HANDS-OFF RETRO-FIT KIT		SINGLE HANDS-OFF RETRO-FIT KIT	
PART NUMBER	0580001133.D	PART NUMBER	0580001133.D
REVISION:	5	REVISION:	5
SIZE: A	SHEET 2 OF 4	SIZE: A	SHEET 2 OF 4



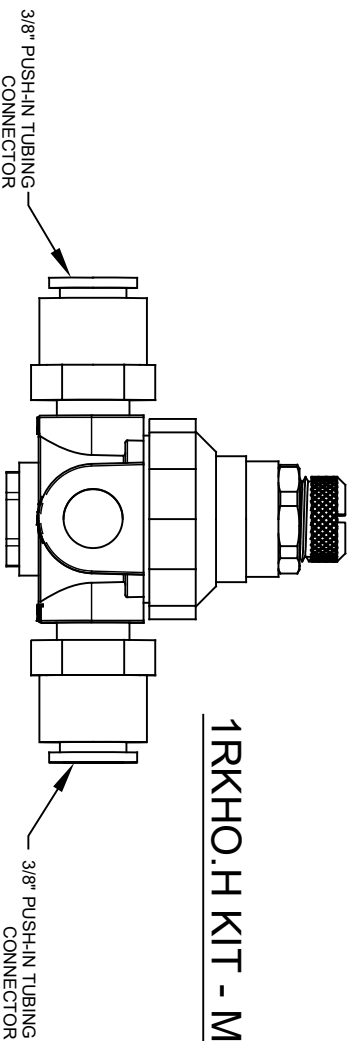
HO SENSOR ASSEMBLY  
VRKH06



HARDWARE TRANSFORMER  
VRKH08

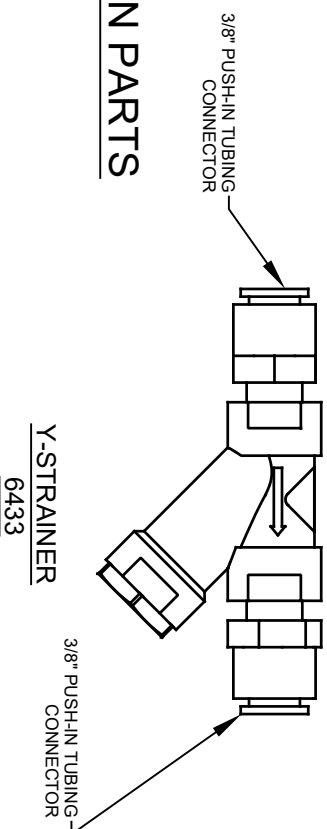


SOLENOID VALVE ASSEMBLY  
VRKH05



VALVE REGULATOR  
5867

1RKHO.H KIT - MAIN PARTS



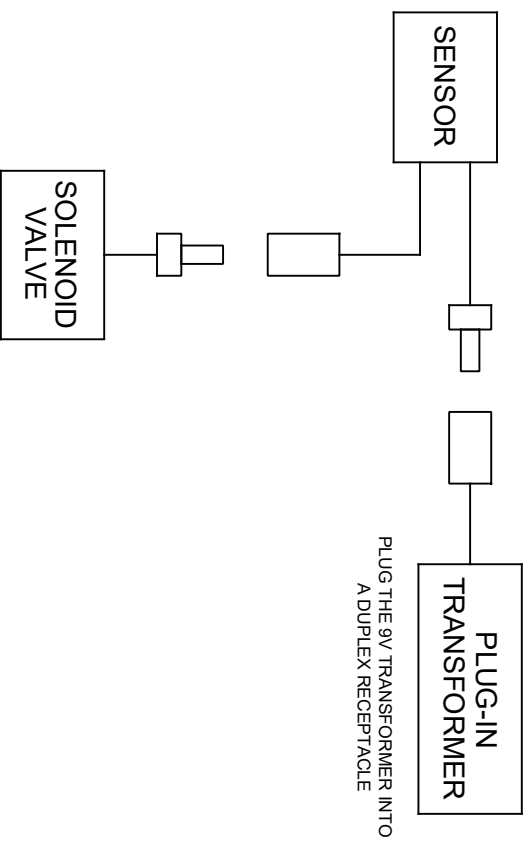
**Haws**

1459 KLEPPE LANE  
SPARKS, NEVADA, 89431  
(775) 359-4712 FAX (775) 359-7424  
E-MAIL: HAWS@HAWS.CO.COM  
WEBSITE: WWW.HAWS.CO.COM

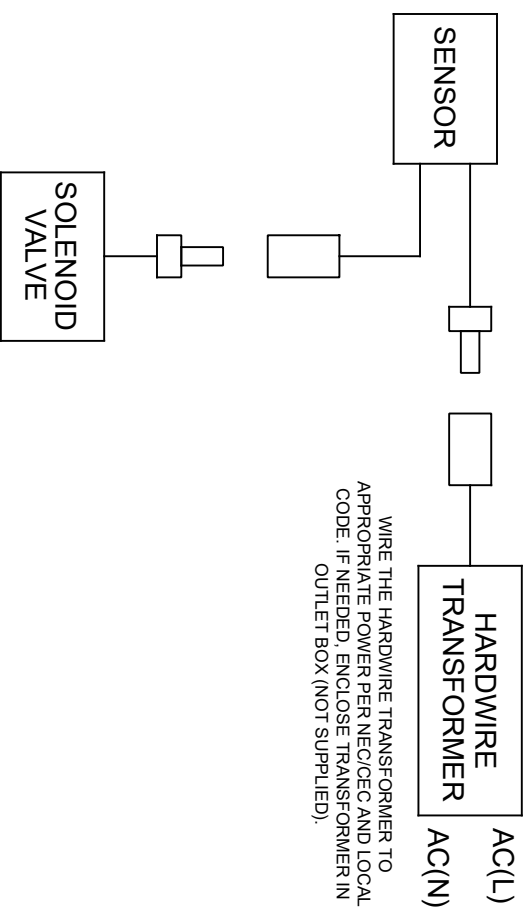
ECN NO. REVISED PER BY:	MODEL(S)	PART NUMBER
5898 ECN: 5749 BJM	1RKHO.P / 1RKHO.H	0580001133.D
DATE: 02/09/21	CHKD: BJM	REVISION: 4
APPROVED: BJM	SCALE: N/A	DRAWING TYPE: INSTALLATION
DATE: 10/20/21	SIZE: A	SHEET: 3 OF 4
SINGLE HANDS-OFF RETRO-FIT KIT		

NOTES (CONTINUED FROM SHEET 1):

- 6. 1RKHO.H TRANSFORMER WIRE RANGE: 24-12 AWG  
1RKHO.H TRANSFORMER TIGHTENING TORQUE: MAX 0.4 N\*m



1RKHO.P CABLE WIRING SCHEMATIC



1RKHO.H CABLE WIRING SCHEMATIC

		<b>Haws</b>	
1459 KLEPPE LANE SPARKS, NEVADA, 89431 (775) 359-4712 FAX (775) 359-7424 E-MAIL: HAWS@HAWSCO.COM WEBSITE: WWW.HAWSCO.COM			
ECN NO. REVISED PER BY:	MODEL(S)	PART NUMBER	
5898	1RKHO.P / 1RKHO.H	0580001133.D	
DRAWN: BIM	DATE: 12/23/20	CHK'D: FV	REVISION: 5
APPROVED: BIM	SCALE: N/A	DRAWING TYPE: SINGLE HANDS-OFF RETRO-FIT KIT	SHEET 4 OF 4
		INSTALLATION	