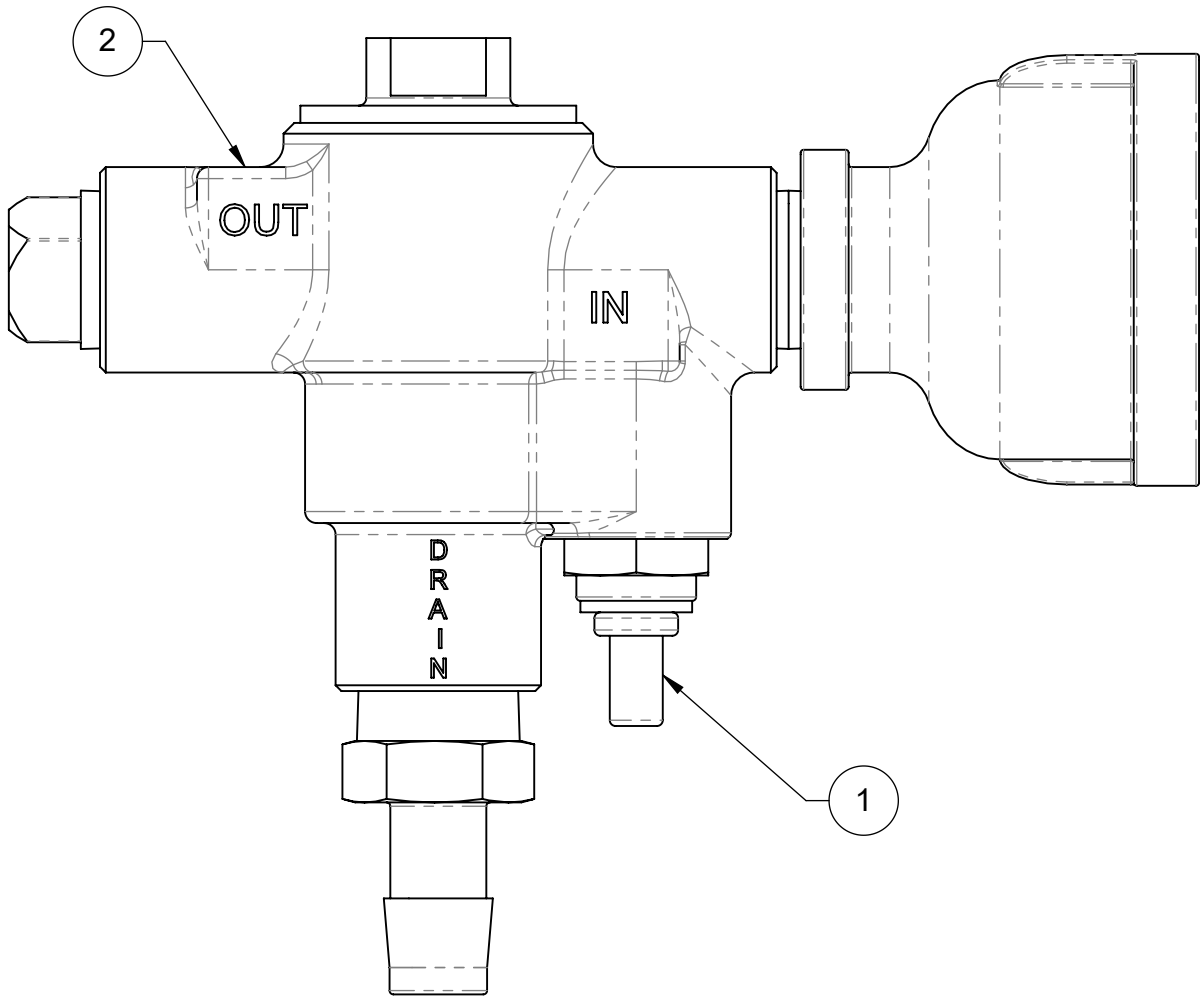


THIS DOCUMENT IS TRUE AND CORRECT AT TIME OF PUBLICATION. CONTINUED PRODUCT IMPROVEMENTS MAKE SPECIFICATIONS AND MEASUREMENTS SUBJECT TO CHANGE WITHOUT NOTICE.

ITEM	DESCRIPTION	PART NO.
1	KIT, REPAIR, SP158B (THERMOSTAT CARTRIDGE)	VRK158B
2	FREEZE PROTECTION VALVE (INCLUDES VRK158B COMPONENTS)	SP158B



(INSULATION, ETC. HIDDEN FOR CLARITY)

WHEN ORDERING PARTS, PLEASE
SPECIFY PART NUMBER

			1455 KLEPPE LANE SPARKS, NEVADA 89431 (775) 359-4712 FAX (775) 359-7424 E-MAIL: HAWS@HAWS.CO.COM WEBSITE: WWW.HAWS.CO.COM		
			ECN: 5588 DRAWN: JL APPROVED: JL	REV. ECN: 5661 DATE: 09/17/20 DATE: 04/19/21	BY: JL CHKD: BJM DATE:
SCALE: 1:1		DRAWING TYPE: PARTS BREAKDOWN		SIZE: A	SHEET 1 OF 1

© 2021 Haws Corporation - All Rights Reserved.

HAWS® and other trademarks used in these materials are the exclusive property of Haws Corporation.