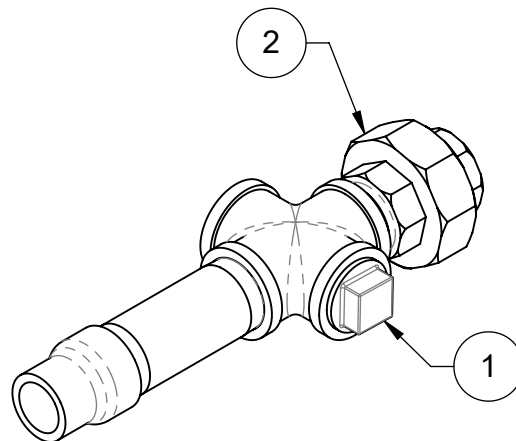
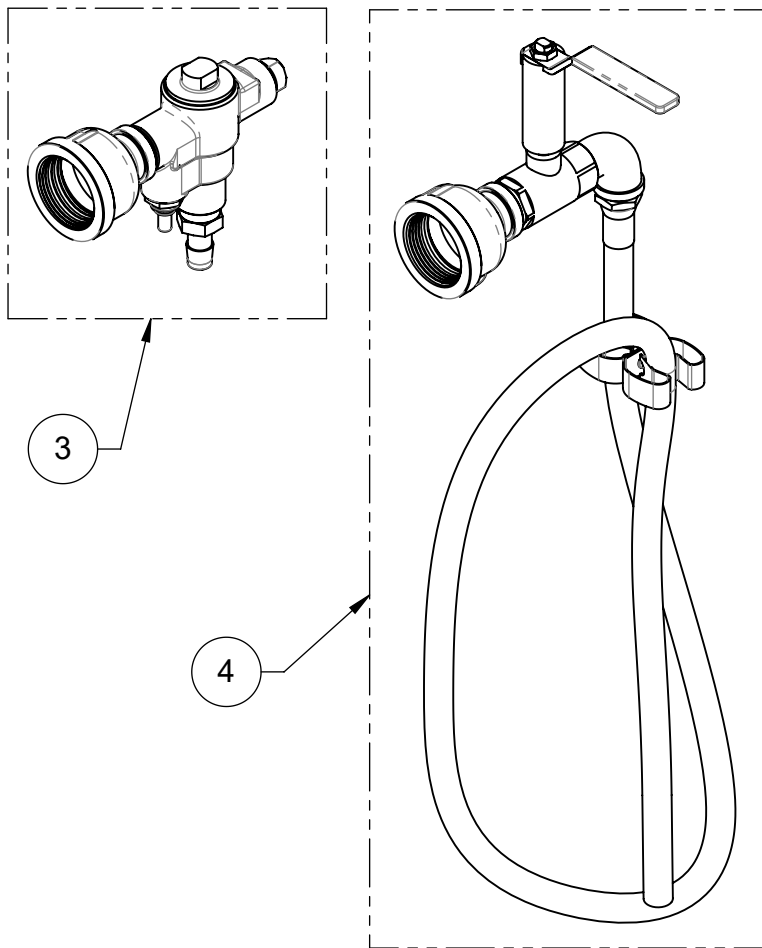
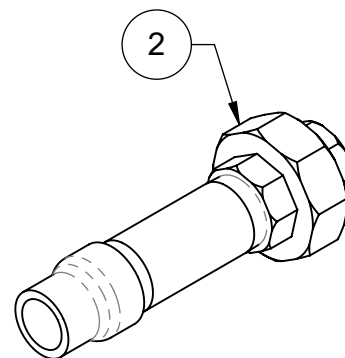


ITEM	DESCRIPTION	PART NO.
1	1-1/4" GALVANIZED PLUG	0004597985
2	1-1/4" GALVANIZED UNION	0006191712
3	FREEZE VALVE ASSEMBLY (SOLD SEPARATELY)	SP158.15
4	DRENCH HOSE ASSEMBLY (SOLD SEPARATELY)	SP145




ASSEMBLED PLUMBING FOR MULTIPLE ACCESSORIES



ASSEMBLED PLUMBING FOR RECIRC LOOP

ACCESSORIES THAT MAY BE USED IN CONJUNCTION (SOLD SEPARATELY)

WHEN ORDERING PARTS, PLEASE SPECIFY PART NUMBER

		1455 KLEPPE LANE SPARKS, NEVADA 89431 (775) 359-4712 FAX (775) 359-7424 E-MAIL: HAWS@HAWSO.COM WEBSITE: WWW.HAWSO.COM	
		ECN: 5578 REV. ECN: BY: JL MODEL(S) SP121 - AUXILIARY PLUMBING MODEL	PART NUMBER 0510001071 REVISION 2
DRAWN: JL DATE: 09/17/20 CHKD: BJM	APPROVED: JL DATE: 04/19/21	SCALE: 1:4 DRAWING TYPE: PARTS BREAKDOWN	SIZE: A SHEET 1 OF 1