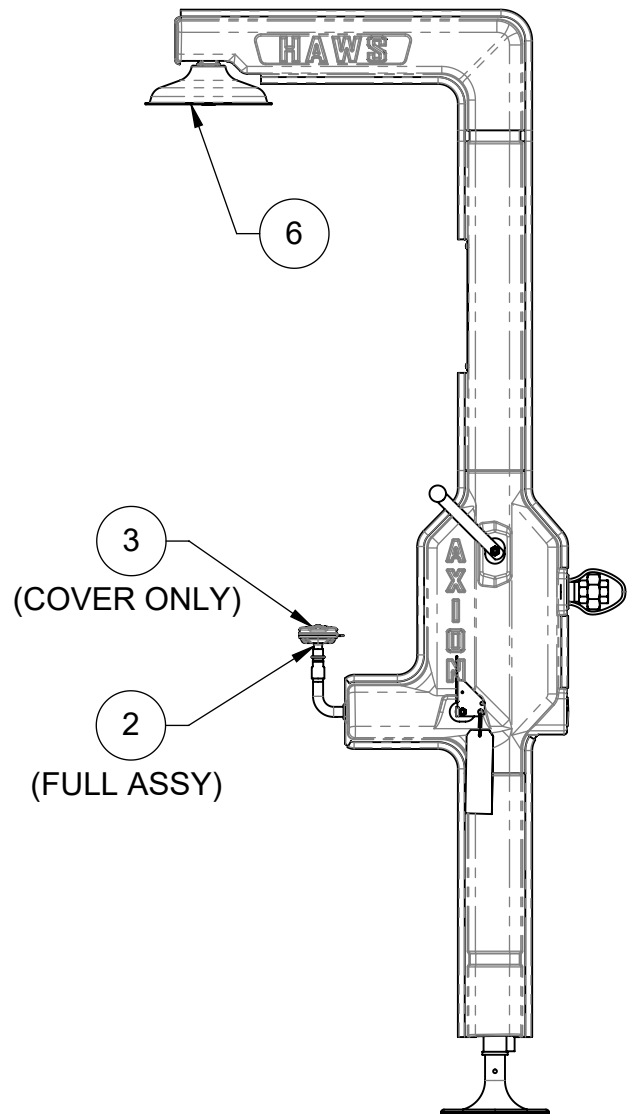
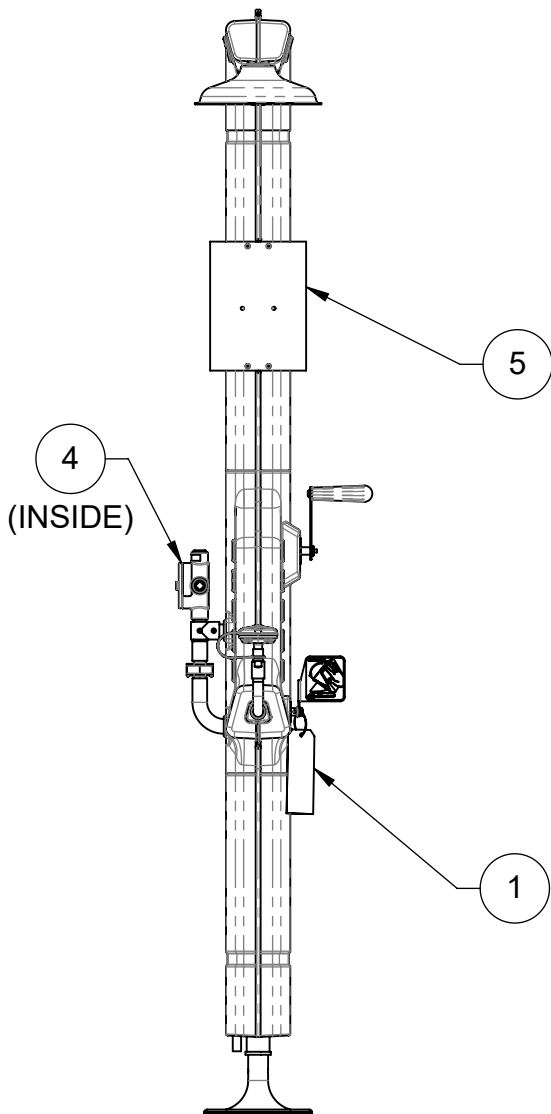


**FREEZE VALVE -
8315CTFP.8 & 8315CTFP.220V ONLY
(INSULATION, ETC. REMOVED)**

ITEM	DESCRIPTION	PART NO.
1	TEST TAG	SP170
2	EYE/FACE WASH ASSY (COVER INCLUDED)	SP65CTFP
3	EYE/FACE WASH COVER	9091
4	THERMOSTAT	SP156
5	SHOWER/EYEWASH SIGN	0510001012
6	SHOWER HEAD	SP829
7	KIT, REPAIR, SP158B (THERMOSTAT CARTRIDGE)	VRK158B
8	FREEZE PROTECTION VALVE (INCLUDES VRK158B COMPONENTS)	SP158B



**WHEN ORDERING PARTS, PLEASE
SPECIFY PART NUMBER**

			1455 KLEPPE LANE SPARKS, NEVADA 89431 (775) 359-4712 FAX (775) 359-7424 E-MAIL: HAWS@HAWS.CO.COM WEBSITE: WWW.HAWS.CO.COM	
ECN: 5566	REV. ECN: 5661	BY: JL	MODEL(S)	PART NUMBER
DRAWN: JL	DATE: 07/23/20	CHKD: BJM	8315CTFP SERIES - CABLE-TRACE COMBINATION SHOWER	0510001018
APPROVED: JL	DATE: 04/19/21	SCALE: N/A	DRAWING TYPE: PARTS BREAKDOWN	REVISION 3
			SIZE: A	SHEET 1 OF 1