



INSTALLATION, OPERATION & MAINTENANCE INSTRUCTIONS

1455 Kleppe Lane ♦ Sparks, NV 89431-6467 ♦ (775) 359-4712 ♦ Fax (775) 359-7424
E-mail: haws@hawsco.com ♦ website: www.hawsco.com

No. 0580001163 (2)

Model VRKH07 PLUG-IN TRANSFORMER FOR RKHO

NOTE TO INSTALLER: Please leave this information with the Maintenance Department.

CAUTION! Prior to making any electrical connections, verify with a voltmeter that power from the service panel is **off**.

LIMITED WARRANTY

HAWS warrants that all of its products are guaranteed against defective material or poor workmanship for a period of **one year from the date of shipment**. The foregoing notwithstanding, *HAWS* warrants certain specific products or components thereof for an adjusted period. A list of these excepted products and components and a description of their respective warranty terms may be found here: www.hawsco.com/warranty. *HAWS*' liability under this warranty shall be discharged by furnishing without charge F.O.B. *HAWS* factory any goods, or part thereof, which shall appear to the Company upon inspection to be of defective material or not of first-class workmanship, provided that a claim is made in writing to Company within a reasonable period after receipt of the product. Where claims for defects are made, the defective part or parts shall be delivered to the Company, prepaid, for inspection. *HAWS* shall not be liable for the cost of repairs, alterations or replacements, or the labor required to implement them, or for any expense connected therewith made by the owner or owner's agents, except upon written authority from *HAWS*. *HAWS* shall not be liable for any damages caused by defective materials or poor workmanship, except for replacements, as provided above. Buyer agrees that *HAWS* has made no other warranties either express or implied in addition to those above stated, except that of title with respect to any of the products or equipment sold hereunder and that *HAWS* shall not be liable for general, special, incidental, or consequential damages claimed to arise under the contract of sale.

Equipment manufactured by *HAWS* is warranted to function if installation and maintenance instructions provided are adhered to. The units also must be used for the purpose for which they were intended. Any *HAWS* emergency equipment is intended to supplement first-aid treatment. Due to widely varying conditions, *HAWS* cannot guarantee that the use of this emergency equipment will prevent serious injury or the aggravation of existing or prior injuries.

EXCEPT AS EXPRESSLY STATED HEREIN, HAWS HEREBY DISCLAIMS ALL WARRANTIES, WHETHER EXPRESS OR IMPLIED, ARISING BY LAW OR OTHERWISE, INCLUDING WITHOUT LIMITATION, ANY IMPLIED WARRANTIES OF MERCHANTABILITY AND FITNESS FOR A PARTICULAR PURPOSE. THIS WARRANTY MAY NOT BE MODIFIED OR EXTENDED WITHOUT THE WRITTEN CONSENT OF HAWS. REMEDIES AND REPLACEMENTS STATED HEREIN ARE EXCLUSIVE. IN NO EVENT SHALL HAWS BE LIABLE FOR ANY SPECIAL, PUNITIVE, CONSEQUENTIAL OR INCIDENTAL DAMAGES TO ANY PERSON INCLUDING BUT NOT LIMITED TO DAMAGES FOR LOSS OF USE OR PROFITS, SUBSTITUTE PRODUCTS OR COSTS, PROPERTY DAMAGE, OR OTHER MONETARY LOSS.

SHOULD YOU EXPERIENCE DIFFICULTY WITH THE INSTALLATION OF THIS MODEL PLEASE CALL:

TECHNICAL SUPPORT: 1-800-766-5612
FOR CUSTOMER SERVICE: 1-888-640-4297

Recommended Tools: None

INSTALLATION PROCEDURE

Step 1: Remove grille (if applicable) and shut off water supply. Actuate sensor to relieve pressure in the system. Then, disconnect power from plug-in transformer.

Step 2: Disconnect transformer electrical connector. Discard old transformer.

Step 3: Connect replacement transformer electrical connectors. Refer to VRKHO7 Wiring Schematic on page 4 of 4.

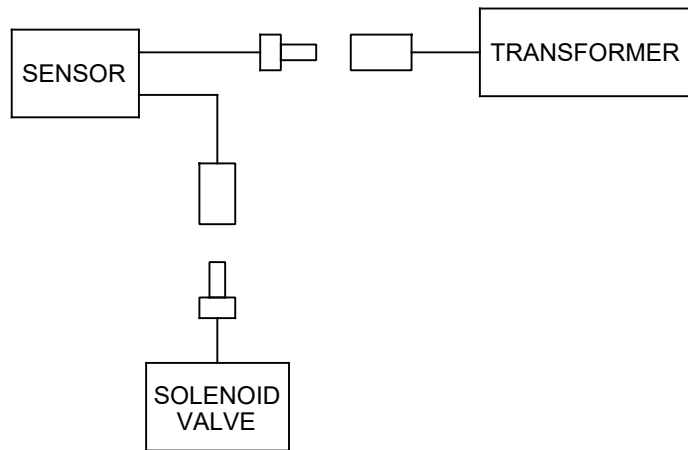
Step 4: Reconnect power to transformer. Turn on water supply and adjust the bubbler's flow using the black regulator mounted next to the solenoid valve. Clockwise adjustment increases flow and counterclockwise decreases flow. Finally, check fountain for leaks.

Step 8: Clear the area in front of the sensor. Allow the sensor to calibrate for at least 10 seconds before operating.

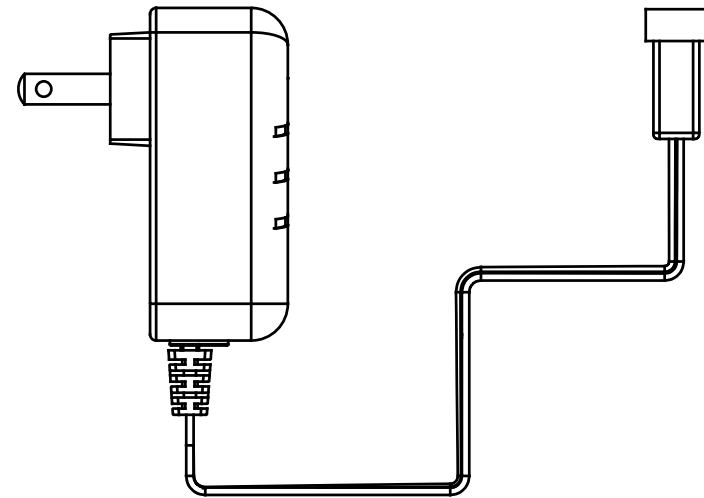
When the sensor is activated continuously for 30 seconds, the sensor will automatically shut off the water supply to the bubbler. To resume activation, remove obstruction and reactivate the sensor. This feature prevents flushing of water due to unintentional activation or vandalism.

Step 9: Re-install bottom plate and grille (if applicable).

SENSOR/SOLENOID TROUBLESHOOTING	
PROBLEM	REPAIR CHECKLIST
1. Insufficient bubbler flow.	<ul style="list-style-type: none"> a. Check that screwdriver stop is wide open. Direction can be counterclockwise or clockwise depending on style of shut-off valve. b. Verify minimum 30 psi supply pressure. c. Clean inlet strainer (if one is present).
3. No bubbler flow – red light in the sensor does not flash once when user’s hands are within the sensor’s range	<ul style="list-style-type: none"> a. Unit is in Security Mode. b. Sensor is picking up reflections from a foreign object. Eliminate the source of reflection.
4. No bubbler flow – red light in the sensor flashes once when user’s hands are within sensor range.	<ul style="list-style-type: none"> a. Connectors between electronic unit and solenoid are disconnected. Reconnect the connectors. b. Debris or scale in solenoid. Shut off water and power. Unscrew solenoid, pull out the plunger and spring from the solenoid and clean them. Use scale remover if needed. When replacing the plunger, ensure the spring is oriented vertically. c. The central orifice in the diaphragm is plugged or the diaphragm is torn. Clean the orifice or replace the diaphragm. d. The water supply pressure is higher than 115 psi. Reduce the supply water pressure.
4. Continuous bubbler flow – sensor flashes once when user’s hands are within the sensor’s range.	<ul style="list-style-type: none"> a. Debris or scale in solenoid diaphragm. Clean the orifice or replace diaphragm per 4b-c.
5. Continuous bubbler flow – red light in the sensor does not flash once when user’s hands are within sensor range.	<ul style="list-style-type: none"> a. Sensor is dirty or covered. Clean or eliminate cause of interference. In this event, the security time will stop flow. b. Sensor is picking up reflections from the washbasin or another object. Decrease the range or eliminate the cause of reflection.
6. Repeated clogs in strainer.	<ul style="list-style-type: none"> a. Install water filter in supply line.
7. Bubbler does not activate.	<ul style="list-style-type: none"> a. Check wiring harness. Replace if necessary. b. Check solenoid valve. Replace if necessary. c. Replace sensor. d. Check transformer for 9V at output terminals; replace if necessary.



VRKH07 WIRING SCHEMATIC



PLUG-IN TRANSFORMER

		Haws [®]		1455 KLEPPE LANE	
				SPARKS, NEVADA 89431	
ECN NO. 5649		REVISED PER ECN: 5749	BY: FV	PART NUMBER 0580001163.D	
DRAWN: BJM	DATE: 02/12/21	CHK'D: BJM	MODEL(S) VRKH07		REVISION 2
APPROVED: FV			DATE: 10/28/21	PLUG-IN TRANSFORMER FOR RKHO	
SCALE: N/A		DRAWING TYPE: INSTALLATION	SIZE: A	SHEET 4 OF 4	