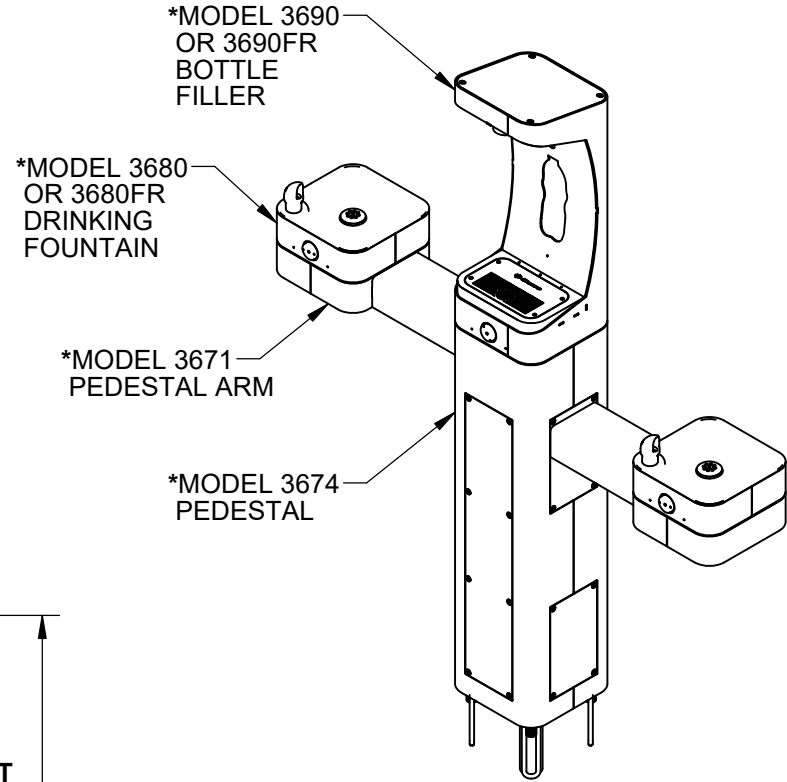
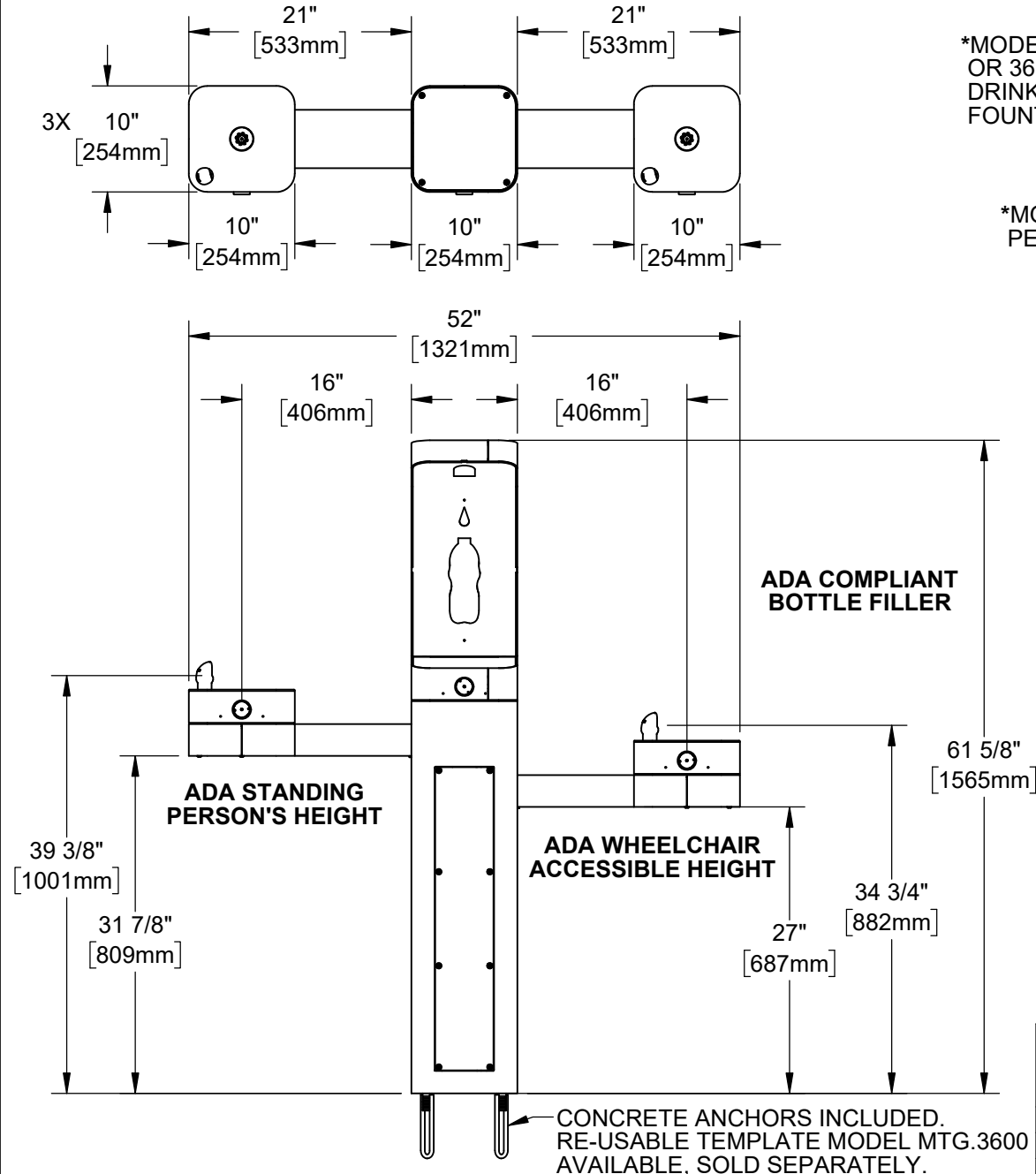


NOTES:  
 1. WHEN INSTALLING THIS UNIT, LOCAL, STATE, OR FEDERAL CODES SHOULD BE ADHERED TO. INSTALL A TRAP IN THE WASTE LINE AND A SCREWDRIVER STOP IN THE SUPPLY LINE IF REQUIRED.



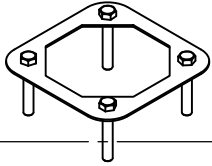
**HAWS MODEL 36XX SERIES MODULAR OUTDOOR FOUNTAINS CAN BE FULLY COMPLIANT WITH THE FEDERAL 2010 AMERICANS WITH DISABILITIES ACT (ADA) ACCESSIBILITY REQUIREMENTS WHEN INSTALLED AS SHOWN HERE AND WHEN INSTALLED WITH PROPER CLEARANCES AND ACCESS. LOCATE THE PEDESTAL BASE WITH AT LEAST 8" OF CLEAR UNOBSTRUCTED HARDSCAPE BEHIND THE PEDESTAL. IT IS THE RESPONSIBILITY OF THE INSTALLER TO ADHERE TO LOCAL, STATE, AND FEDERAL CODES WHEN INSTALLING THIS UNIT. DISTANCE TO SURROUNDING OBJECTS, APPROACH SURFACES, ETC. SHOULD BE CONSIDERED.**

**\*MODELS ARE SHOWN ASSEMBLED FOR REFERENCE ONLY. MUST BE PURCHASED SEPARATELY.**

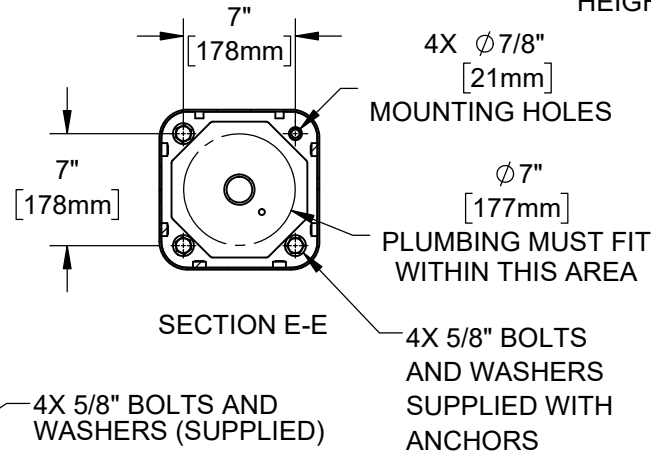
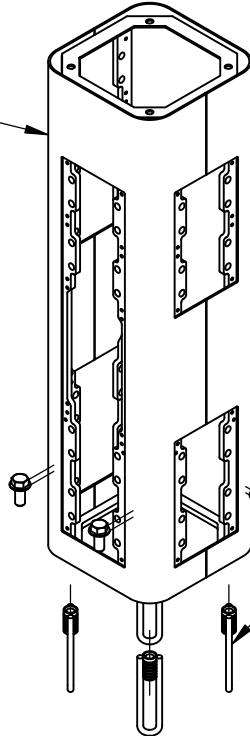
		1455 KLEPPE LANE SPARKS, NEVADA 89431 (775) 359-4712 FAX (775) 359-7424 E-MAIL: HAWS@HAWS.CO.COM WEBSITE: WWW.HAWS.CO.COM	
		ECN: 5652 REV. ECN: 5652 DRAWN: DHP DATE: 6/11/20 APPROVED: FV DATE: 03/18/21	BY: DP CHKD: FV MODEL(S) 3671 / 3674 / 3680 / 3680FR / 3690 / 3690FR
SCALE: 1:24   DRAWING TYPE: INSTALLATION   SIZE: A		SHEET 1 OF 7	

# INSTALLATION INSTRUCTIONS

**MODEL MTG.3600**  
(OPTIONAL)  
TEMPLATE FOR  
SPACING ANCHORS  
DURING CONCRETE  
POUR



MODEL 3674  
PEDESTAL



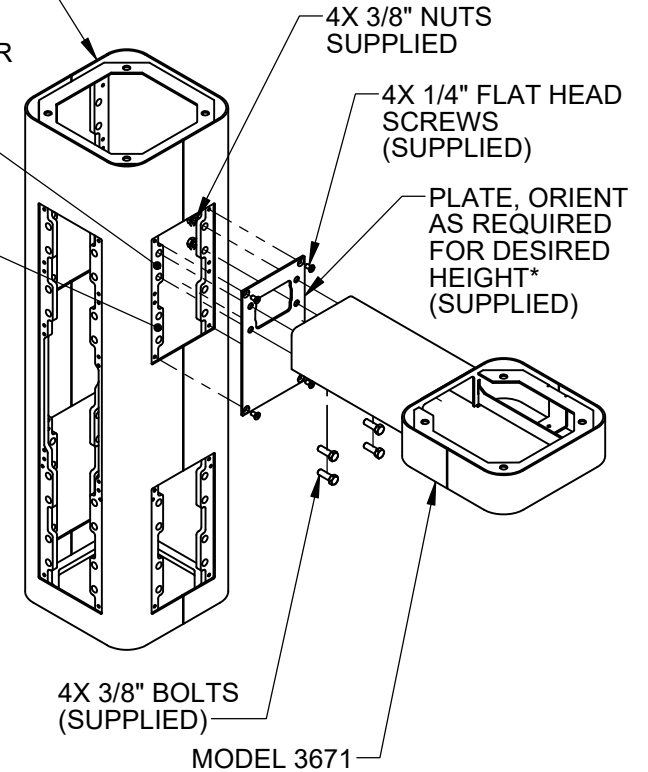
## MODEL 3674

MOUNT PEDESTAL TO CONCRETE SLAB IN DESIRED ORIENTATION. SLAB TO BE 30" MINIMUM SQUARE AND 6" MINIMUM THICK (BY OTHERS). PLUMBING CAST IN CONCRETE MUST FIT IN 7" DIAMETER AREA CENTERED UNDER PEDESTAL LOCATION. FOR 36XXFR MODELS, SEE REQUIRED BURY VALVE (NOT SUPPLIED) INSTALLATION REQUIREMENTS ON SHEET 6.

**NOTE: ALL PEDESTAL COVER PLATES INCLUDED.**

MODEL 3674  
(REFERENCE)

\*FOUNTAIN AT  
ADA WHEELCHAIR  
HEIGHT  
\*FOUNTAIN AT  
ADA CHILD  
HEIGHT



4X 3/8" BOLTS  
(SUPPLIED)

MODEL 3671

## MODEL 3671 (SHOWN RIGHT SIDE)

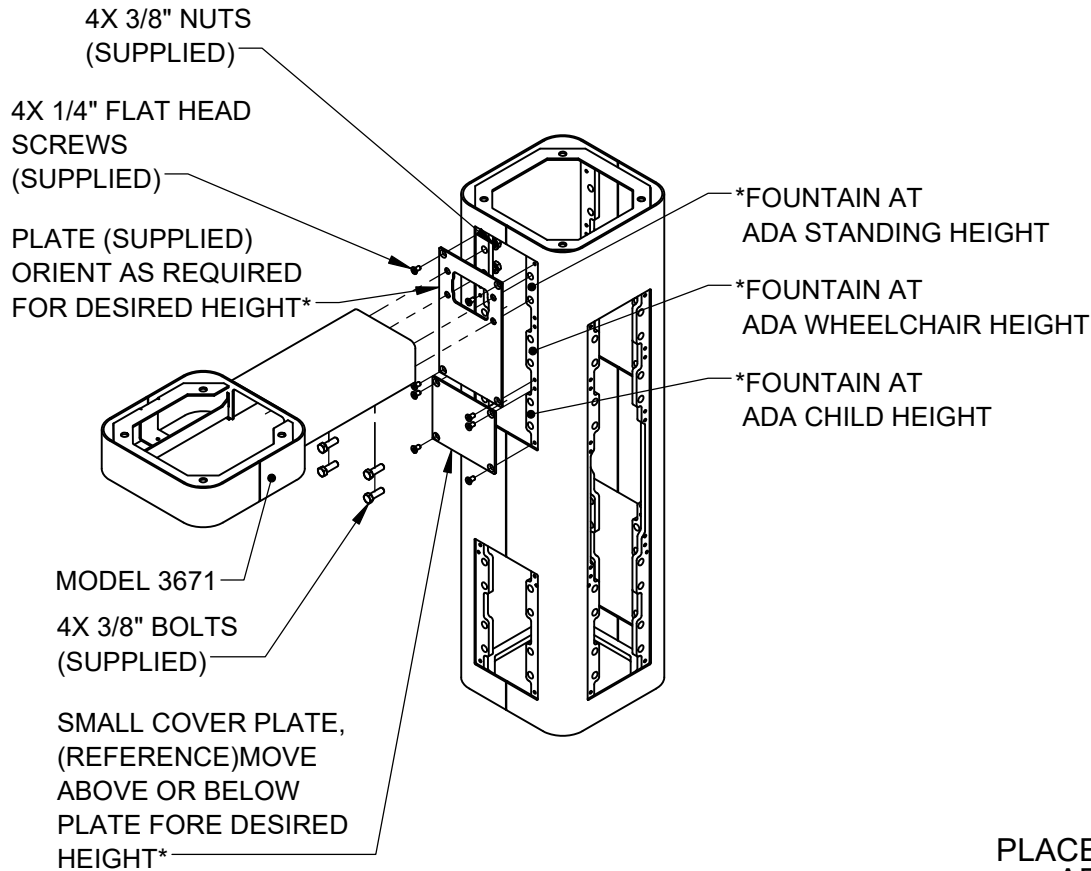
REMOVE BOTTOM COVER PLATES FROM ARM BY REMOVING 3 1/4" BUTTON HEAD SCREWS. INSTALL PEDESTAL ARM ON EITHER SIDE. MOUNTING PLATE CAN BE ORIENTED AS REQUIRED FOR DESIRED FOUNTAIN OR BOTTLE FILLER HEIGHT. USE 1/4" FLAT HEAD SCREWS (SUPPLIED) TO INSTALL PLATE. USE 3/8" BOLTS AND NUTS (SUPPLIED) AND TORQUE TO 18 FT-LBS TO INSTALL ARM.



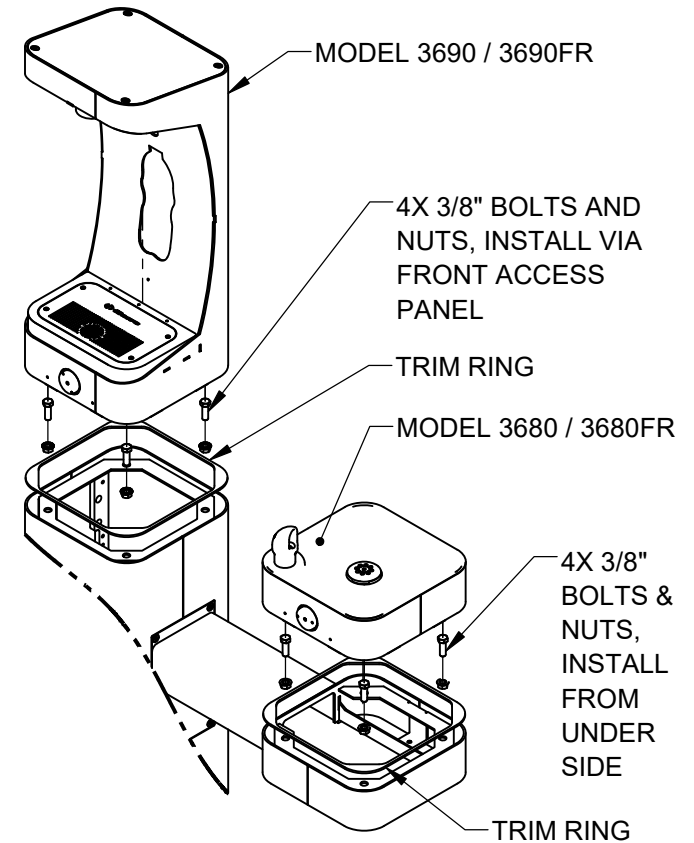
1455 KLEPPE LANE  
SPARKS, NEVADA 89431  
(775) 359-4712 FAX (775) 359-7424  
E-MAIL: HAWS@HAWSO.COM  
WEBSITE: WWW.HAWSO.COM

ECN: 5652	REV. ECN: 5652	BY: DP	MODEL(S): 3671 / 3674 / 3680 / 3680FR / 3690 / 3690FR	PART NUMBER: 0580001176
DRAWN: DHP	DATE: 6/11/20	CHKD: FV		REVISION: 1
APPROVED: FV	DATE: 03/18/21	SCALE: 1:24	DRAWING TYPE: INSTALLATION	SHEET 2 OF 7


## INSTALLATION INSTRUCTIONS



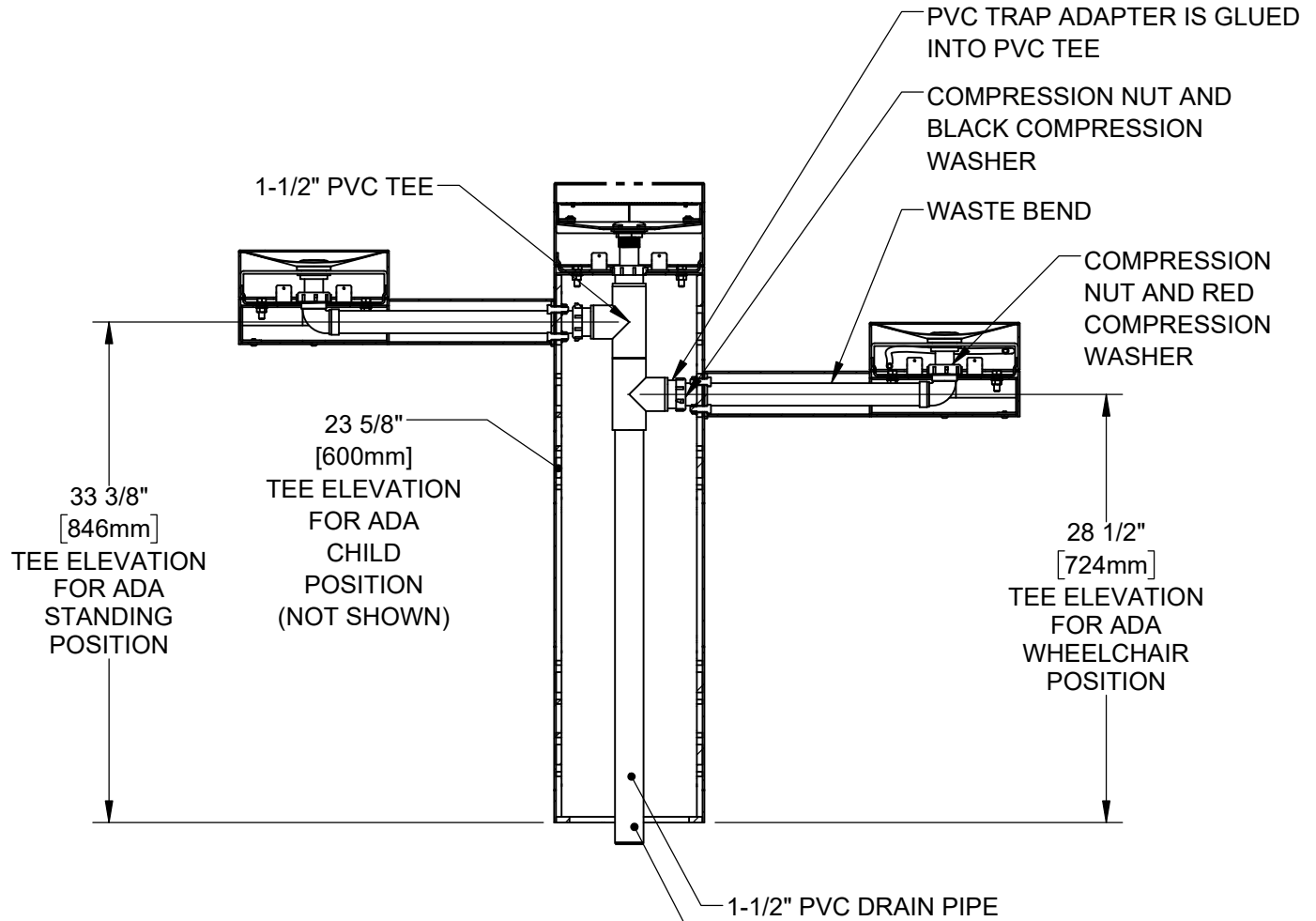
**MODEL 3671 (SHOWN LEFT SIDE)**  
 REMOVE BOTTOM COVER PLATES FROM ARM BY REMOVING 3 1/4" BUTTON HEAD SCREWS. INSTALL PEDESTAL ARM ON EITHER SIDE. MOUNTING PLATE CAN BE ORIENTED AS REQUIRED FOR DESIRED FOUNTAIN OR BOTTLE FILLER HEIGHT. USE 1/4" FLAT HEAD SCREWS (SUPPLIED) TO INSTALL PLATE. USE 3/8" BOLTS AND NUTS (SUPPLIED) AND TORQUE TO 18 FT-LBS TO INSTALL ARM.



**3680 / 3680FR / 3690 / 3690FR**  
 PLACE SUPPLIED SQUARE TRIM RING ON PEDESTAL OR ARM. PLACE MODEL 3680/3680FR FOUNTAIN OR 3690/3690FR BOTTLE FILLER ON PEDESTAL OR ARM(S) ORIENTED AS DESIRED AND SECURE LOOSELY WITH SUPPLIED 3/8" BOLTS AND NUTS AS SHOWN. CAREFULLY CENTER TRIM RING AND MODEL AND TIGHTEN BOLTS/NUTS TO 18 FT-LBS. **NOTE: IT IS POSSIBLE TO ASSEMBLE THESE COMPONENTS SUCH THAT THE RESULT DOES NOT MEET ADA OR OTHER REQUIREMENTS. WHEN INSTALLING THIS UNIT, LOCAL, STATE, OR FEDERAL CODES SHOULD BE ADHERED TO.**


		1455 KLEPPE LANE SPARKS, NEVADA 89431 (775) 359-4712 FAX (775) 359-7424 E-MAIL: HAWS@HAWS.CO.COM WEBSITE: WWW.HAWS.CO.COM	
		ECN: 5652 DRAWN: DHP APPROVED: FV	REV. ECN: 5652 DATE: 6/11/20 DATE: 03/18/21
PART NUMBER 0580001176			REVISION 1
SCALE: 1:24   DRAWING TYPE: INSTALLATION   SIZE: A			SHEET 3 OF 7

## INSTALLATION INSTRUCTIONS

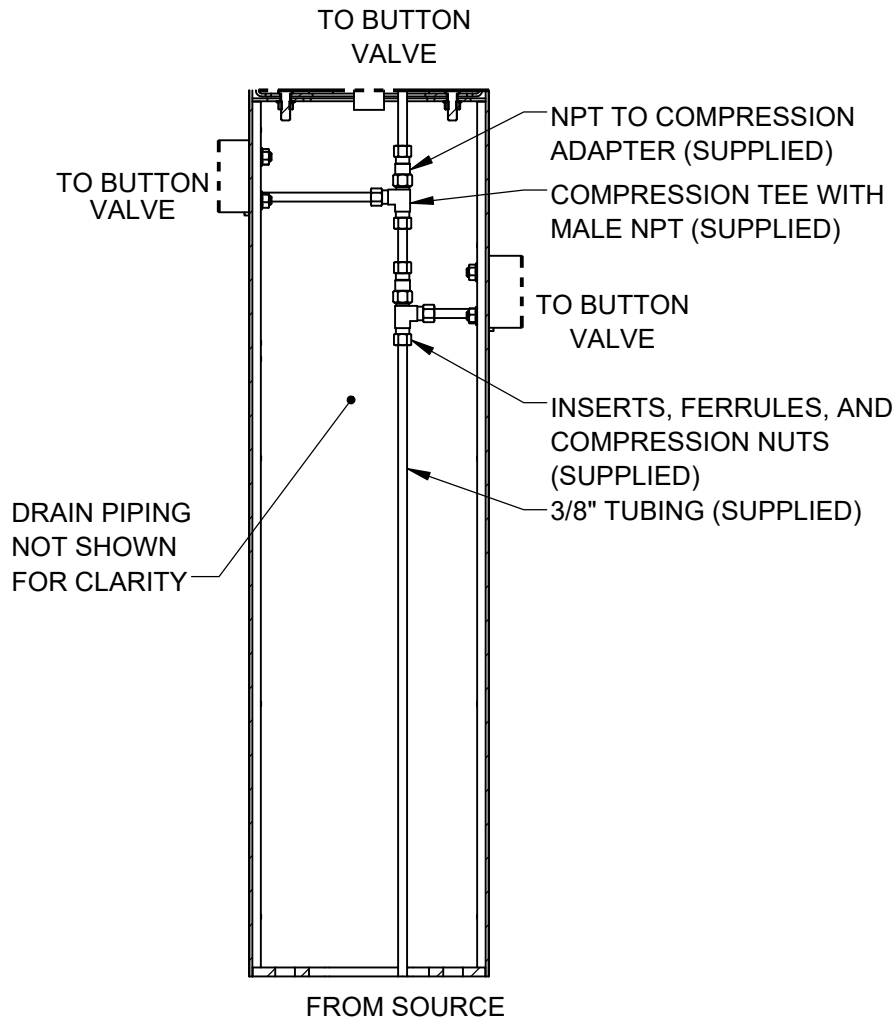


### TYPICAL DRAIN INSTALLATION

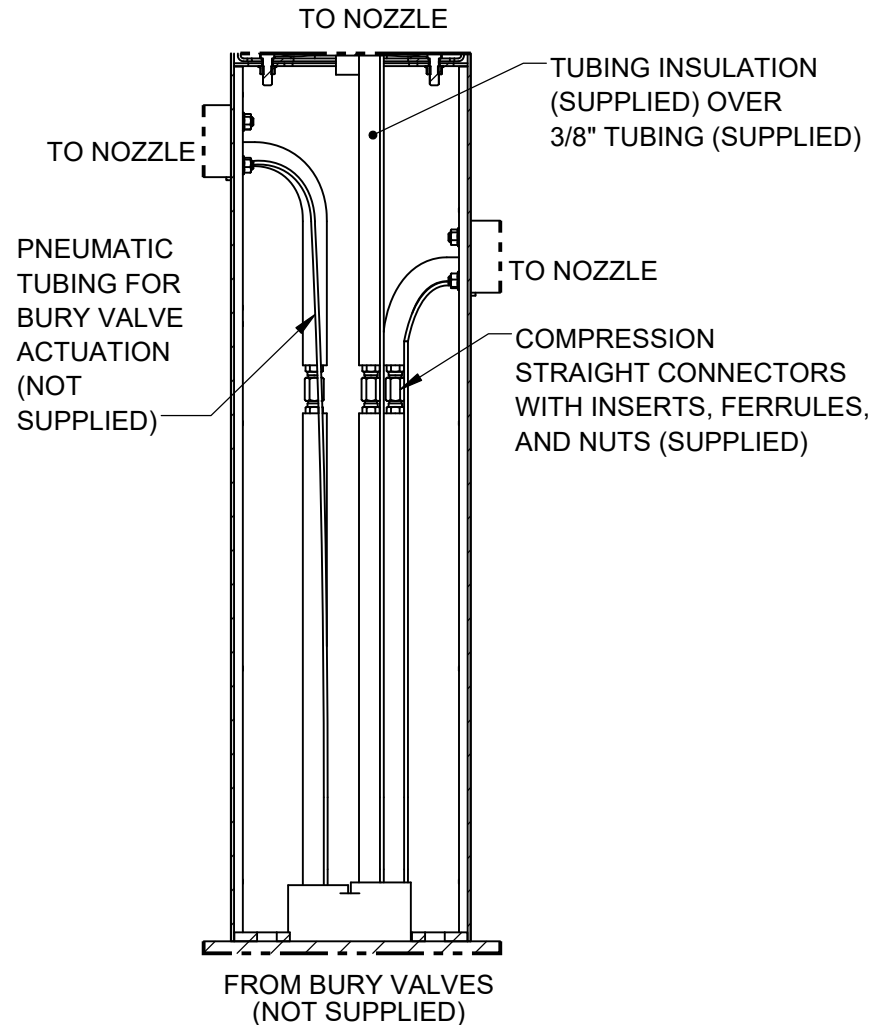
INSTALL SUPPLIED DRAIN COMPONENTS AS SHOWN. RED COMPRESSION WASHERS ADAPT FROM 1-1/4" TO 1-1/2" AT EACH DRAIN TAIL PIECE. BLACK COMPRESSION WASHERS ARE USED IN TRAP ADAPTERS AT TEES. INCLUDED TRAP ADAPTERS MUST BE CEMENTED INTO PVC FITTINGS WHERE A WASTE BEND OR TAILPIECE ENTERS A 1-1/2" PVC FITTING (TEE OR COUPLER). CUT A SHORT SECTION OF THE DRAIN PIPE TO CONNECT THE TWO TEES IF REQUIRED. USE APPROPRIATE PVC CEMENT TO MAKE SOLVENT CEMENT CONNECTIONS. TRIM WASTE BEND AND/OR TAIL PIECE LENGTH IF REQUIRED. NOTE THAT EXTRA PARTS MAY BE INCLUDED TO FACILITATE DIFFERENT CONFIGURATIONS OF THIS FOUNTAIN.

		1455 KLEPPE LANE SPARKS, NEVADA 89431 (775) 359-4712 FAX (775) 359-7424 E-MAIL: HAWS@HAWS.CO.COM WEBSITE: WWW.HAWS.CO.COM	
		ECN: 5652 DRAWN: DHP APPROVED: FV	REV. ECN: 5652 DATE: 6/11/20 DATE: 03/18/21
PART NUMBER 0580001176			REVISION 1
SCALE: 1:24   DRAWING TYPE: INSTALLATION   SIZE: A		SHEET 4 OF 7	

# INSTALLATION INSTRUCTIONS




**36XX TYPICAL SUPPLY PLUMBING  
NON FREEZE RESISTANT**

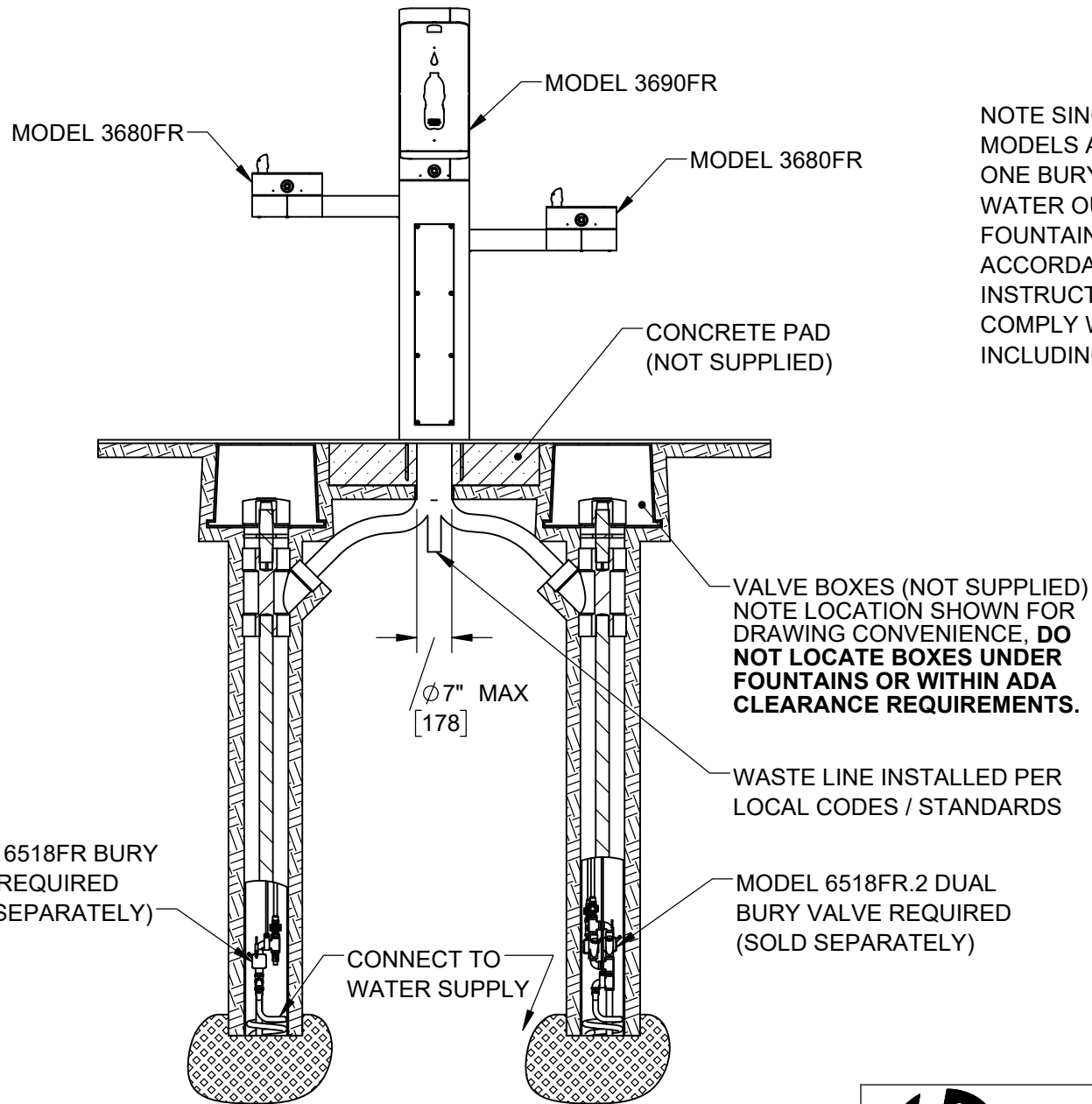


**36XXFR TYPICAL SUPPLY PLUMBING\*  
FREEZE RESISTANT**

\* SEE NEXT SHEET OF THIS DRAWING FOR MORE INFORMATION ON INSTALLING BURY VALVES WITH THESE MODELS.


**TYPICAL SUPPLY PLUMBING**  
COMPLETE WATER SUPPLY PLUMBING AS REQUIRED. OPEN SUPPLY VALVE(S) AND TEST. REPLACE ARM BOTTOM PLATES AND PEDESTAL ACCESS PLATES. BURY VALVES (NOT SUPPLIED) ARE REQUIRED FOR 36XXFR INSTALLATION. REFER TO BURY VALVE OPERATION AND MAINTENANCE MANUAL FOR ADDITIONAL INFORMATION.

		1455 KLEPPE LANE SPARKS, NEVADA 89431 (775) 359-4712 FAX (775) 359-7424 E-MAIL: HAWS@HAWSO.COM WEBSITE: WWW.HAWSO.COM	
		ECN: 5652 DRAWN: DHP APPROVED: FV	REV. ECN: 5652 DATE: 6/11/20 DATE: 03/18/21
PART NUMBER 0580001176			REVISION 1
SCALE: 1:24   DRAWING TYPE: INSTALLATION   SIZE: A		SHEET 5 OF 7	



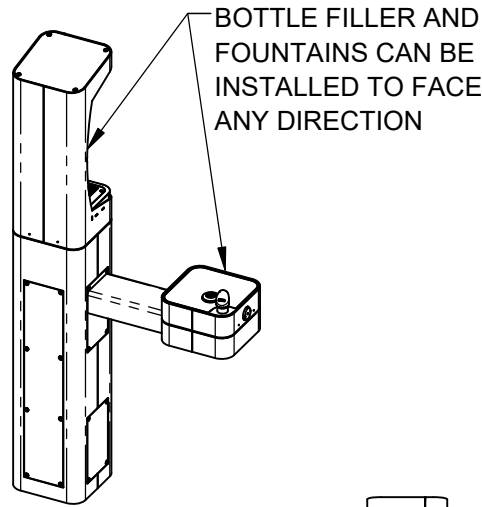
NOTE SINGLE OR DUAL BURY VALVE MODELS AVAILABLE (SOLD SEPARATELY). ONE BURY VALVE IS REQUIRED PER WATER OUTLET NOZZLE ON THE FOUNTAIN. INSTALL BURY VALVES IN ACCORDANCE WITH MANUFACTURER'S INSTRUCTIONS. INSTALLATION MUST COMPLY WITH LOCAL CODES /STANDARDS, INCLUDING ADA CODES IF APPLICABLE.

**36XXFR GENERAL BURY VALVE LAYOUT (FOR REFERENCE ONLY)**

		1455 KLEPPE LANE SPARKS, NEVADA 89431 (775) 359-4712 FAX (775) 359-7424 E-MAIL: HAWS@HAWSO.COM WEBSITE: WWW.HAWSO.COM	
		ECN: 5652 DRAWN: DHP APPROVED: FV	REV. ECN: 5652 DATE: 6/11/20 DATE: 03/18/21
PART NUMBER 0580001176			REVISION 1
SCALE: 1:24   DRAWING TYPE: INSTALLATION		SIZE: A   SHEET 6 OF 7	

### NOTES ON OPTIONAL CONFIGURATIONS

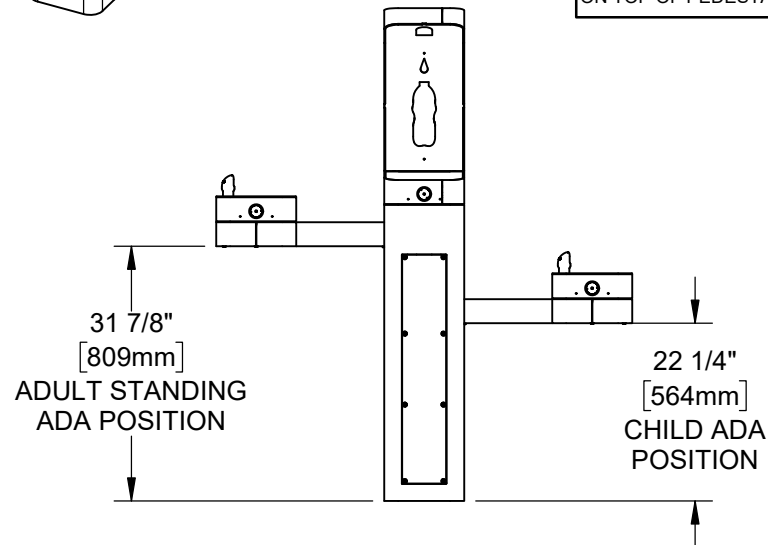
HAWS 3600 SERIES OUTDOOR FOUNTAINS ARE MODULAR AND CAN BE ASSEMBLED AND CONFIGURED MANY DIFFERENT WAYS. DISPLAYED HERE ARE A FEW EXAMPLES. IT IS POSSIBLE TO CONFIGURE COMPONENTS SUCH THAT THE RESULTING FOUNTAIN/BOTTLE FILLER DOES NOT COMPLY WITH ADA REGULATIONS. IT IS THE RESPONSIBILITY OF THE INSTALLER TO UNDERSTAND LOCAL, STATE, AND FEDERAL REGULATIONS AS APPLICABLE IF INSTALLING THIS FOUNTAIN IN CONFIGURATIONS OTHER THAN THAT INDICATED ON PAGE 1.



ADA ARM HEIGHT POSITION OPTIONS				
	LEFT SIDE*	RIGHT SIDE*	ARM HEIGHT (LOWER EDGE)	BUBBLER NOZZLE HEIGHT
STANDING ADA	YES (STD)	NO	31-7/8 [809 mm]	39-3/8 [999 mm]**
WHEELCHAIR ADA	YES	YES (STD)	27 [687 mm]	34-5/8 [878 mm]
CHILD ADA	YES	YES	22-1/4 [566 mm]	29-7/8 [757 mm]

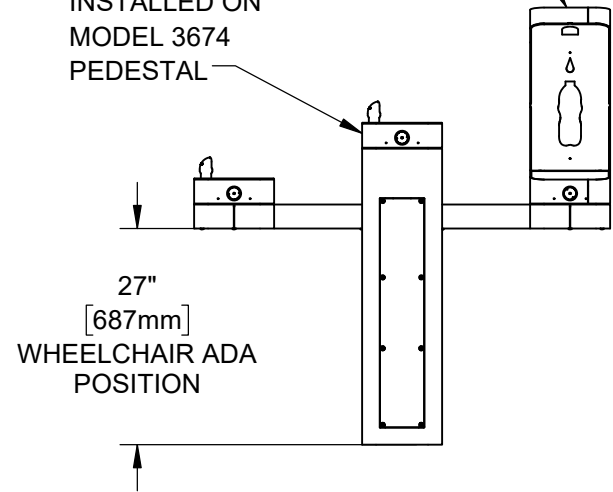
\* RIGHT AND LEFT CAN BE REVERSED IF PEDESTAL IS ROTATED 180°.

\*\*NOZZLE HEIGHT IS 41-1/2" WHEN FOUNTAIN IS INSTALLED ON TOP OF PEDESTAL.



MODEL 3690/3690FR CAN BE INSTALLED ON MODEL 3671 ARMS

ADA STANDING HEIGHT MODEL 3680/3680FR FOUNTAIN INSTALLED ON MODEL 3674 PEDESTAL



		1455 KLEPPE LANE SPARKS, NEVADA 89431 (775) 359-4712 FAX (775) 359-7424 E-MAIL: HAWS@HAWSO.COM WEBSITE: WWW.HAWSO.COM	
		ECN: 5652 REV. ECN: 5652 DRAWN: DHP DATE: 6/11/20 APPROVED: FV DATE: 03/18/21	BY: DP CHKD: FV MODEL(S) 3671 / 3674 / 3680 / 3680FR / 3690 / 3690FR
SCALE: 1:24   DRAWING TYPE: INSTALLATION   SIZE: A		SHEET 7 OF 7	