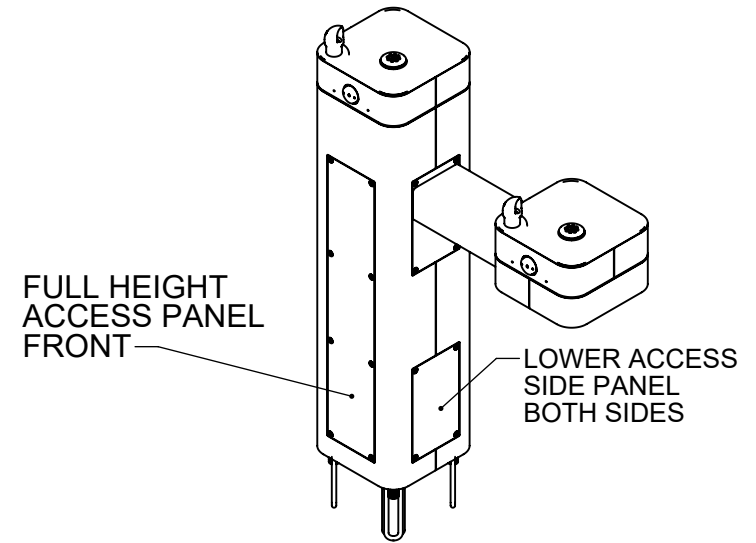
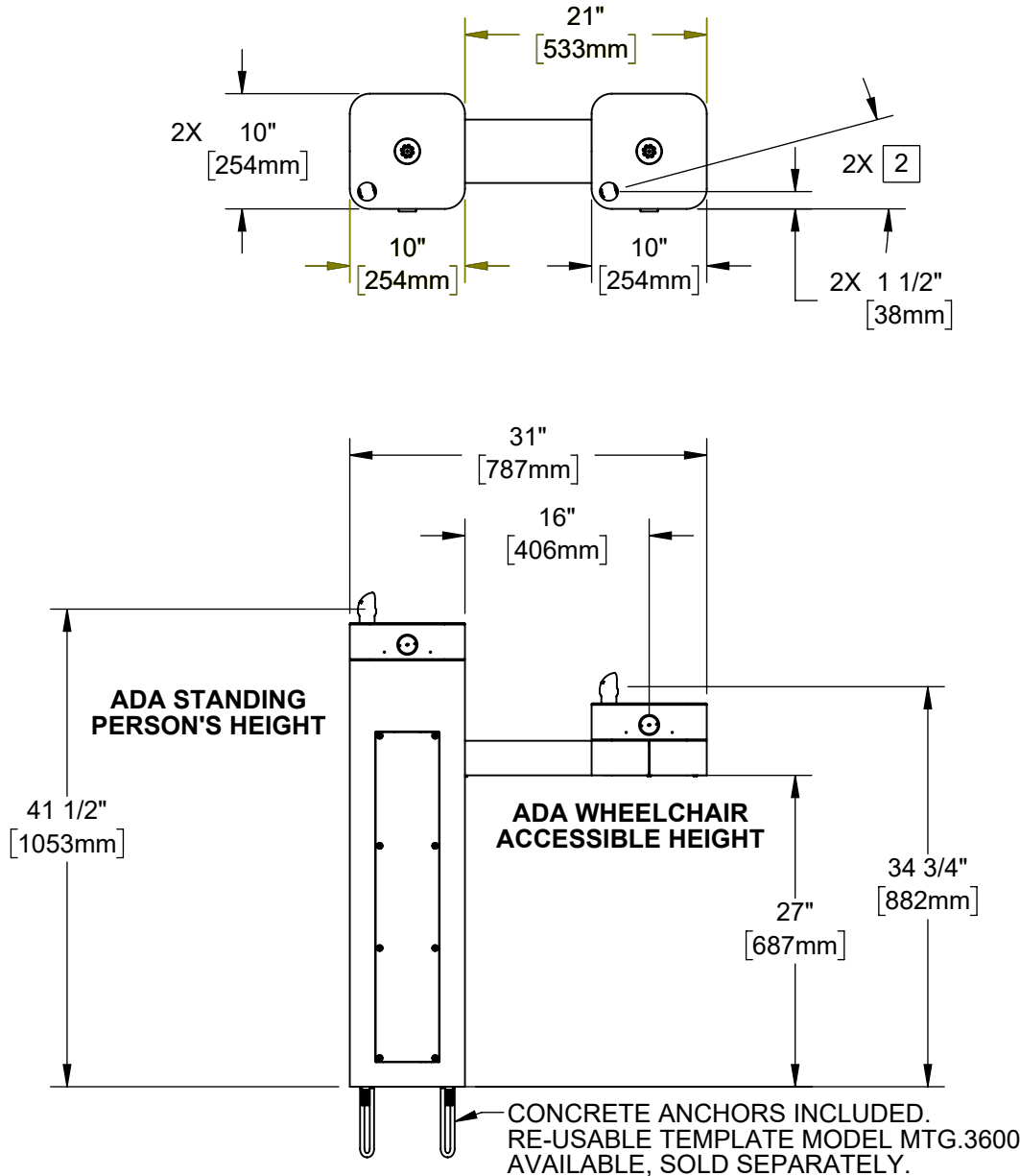


NOTES:

1. WHEN INSTALLING THIS UNIT, LOCAL, STATE, OR FEDERAL CODES SHOULD BE ADHERED TO. INSTALL A TRAP IN THE WASTE LINE AND SCREWDRIVER STOP IN THE SUPPLY LINE IF REQUIRED.

2. MAXIMUM ADJUSTABLE RANGE IS 15° FROM PARALLEL TO BACK OF WALL.

NOTE: PUSH BUTTONS SHOWN ARE FOR REF. ONLY, ACTUAL PUSH BUTTONS ARE DIFFERENT STYLE.

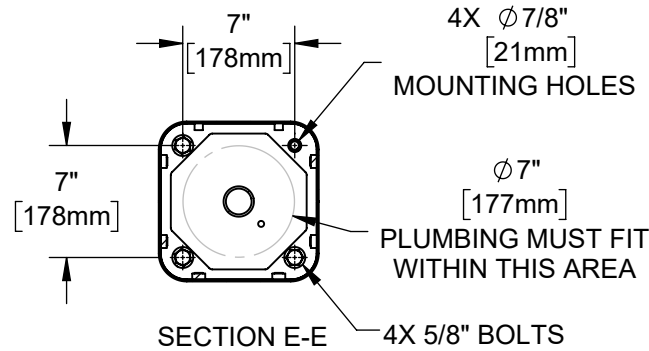
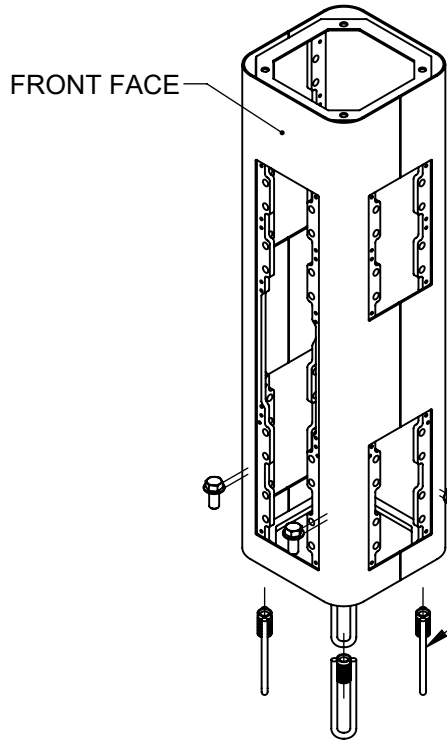
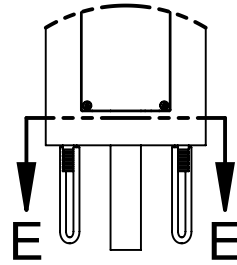
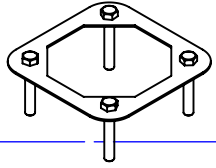


HAWS MODEL 3602FR IS FULLY COMPLIANT WITH THE FEDERAL 2010 AMERICANS WITH DISABILITIES ACT (ADA) ACCESSIBILITY REQUIREMENTS WHEN INSTALLED AS SHOWN HERE AND WHEN INSTALLED WITH PROPER CLEARANCES AND ACCESS. IT IS THE RESPONSIBILITY OF THE INSTALLER TO ADHERE TO LOCAL, STATE, AND FEDERAL CODES WHEN INSTALLING THIS UNIT. DISTANCE TO SURROUNDING OBJECTS, APPROACH SURFACES, ETC. SHOULD BE CONSIDERED. REFER TO SHEET 8 FOR MORE INFORMATION.

		1455 KLEPPE LANE SPARKS, NEVADA 89431 (775) 359-4712 FAX (775) 359-7424 E-MAIL: HAWS@HAWS.CO.COM WEBSITE: WWW.HAWS.CO.COM	
ECN: 5652	REV. ECN: 5822	BY: JU	MODEL(S) 3602FR
DRAWN: DHP	DATE: 6/11/20	CHKD: BJM	PART NUMBER 0580001169.D
APPROVED: FV	DATE: 07/12/22	SCALE: 1:24	REVISION 3
DRAWING TYPE: INSTALLATION		SIZE: A	SHEET 1 OF 8

INSTALLATION INSTRUCTIONS

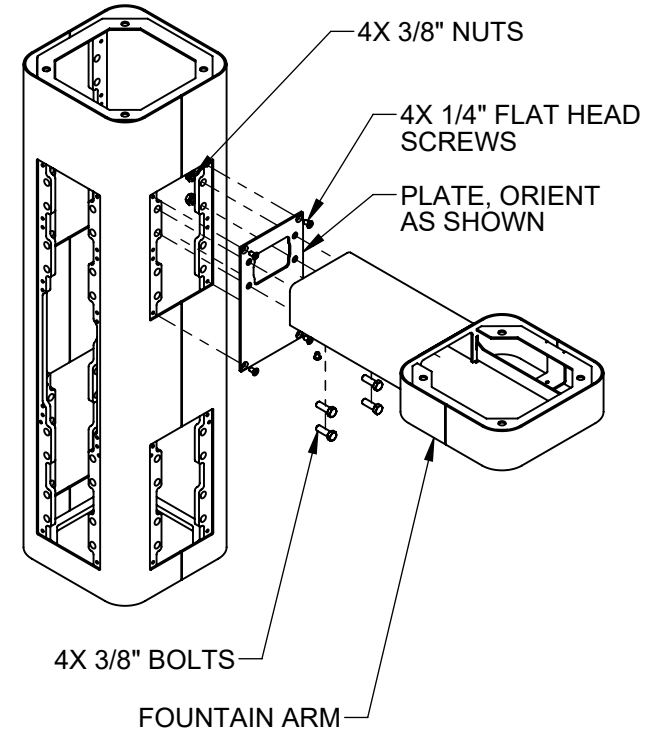
MODEL MTG.3600
(OPTIONAL)
TEMPLATE FOR
SPACING ANCHORS
DURING CONCRETE
POUR



4X 5/8" BOLTS AND WASHERS SUPPLIED WITH ANCHORS

4X 5/8" BOLTS AND WASHERS (SUPPLIED)

4X CAST-IN ANCHORS (SUPPLIED). SET AT 7" SQUARE SPACING AND ORIENT AS SHOWN

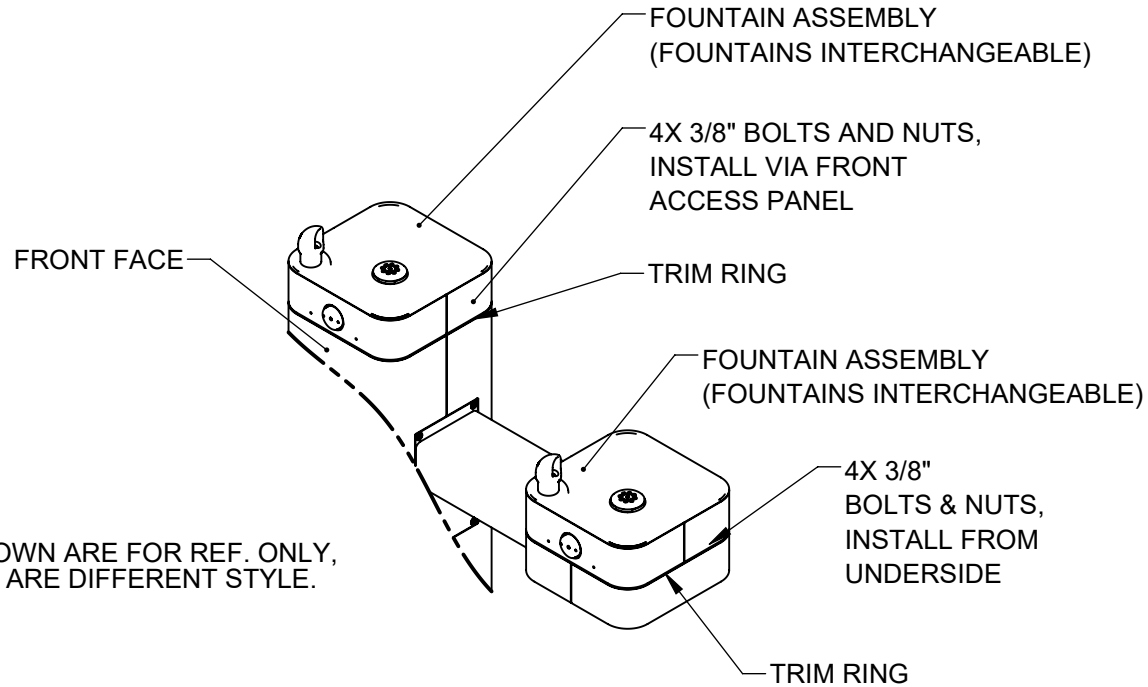


STEP 1
MOUNT PEDESTAL TO CONCRETE SLAB IN DESIRED ORIENTATION. SLAB TO BE 30" MINIMUM SQUARE AND 6" MINIMUM THICK (BY OTHERS). PLUMBING CAST IN CONCRETE MUST FIT IN 7" DIAMETER AREA CENTERED UNDER PEDESTAL LOCATION. FOR 3602FR MODEL, SEE REQUIRED BURY VALVE (NOT SUPPLIED) INSTALLATION REQUIREMENTS ON SHEET 6.

STEP 2
REMOVE BOTTOM COVER PLATES FROM ARMS BY REMOVING 3 1/4" BUTTON HEAD SCREWS. INSTALL ONE FOUNTAIN ARM ON RIGHT SIDE AS SHOWN. USE 1/4" FLAT HEAD SCREWS (SUPPLIED) TO INSTALL PLATE. USE 3/8" BOLTS AND NUTS (SUPPLIED) AND TORQUE TO 18 FT-LBS TO INSTALL ARM.

		1455 KLEPPE LANE SPARKS, NEVADA 89431 (775) 359-4712 FAX (775) 359-7424 E-MAIL: HAWS@HAWS.CO.COM WEBSITE: WWW.HAWS.CO.COM	
		ECN: 5652 REV. ECN: 5822 DRAWN: DHP APPROVED: FV	BY: JU CHKD: BJM DATE: 07/12/22
SCALE: 1:24 DRAWING TYPE: INSTALLATION SIZE: A		SHEET 2 OF 8	


INSTALLATION INSTRUCTIONS



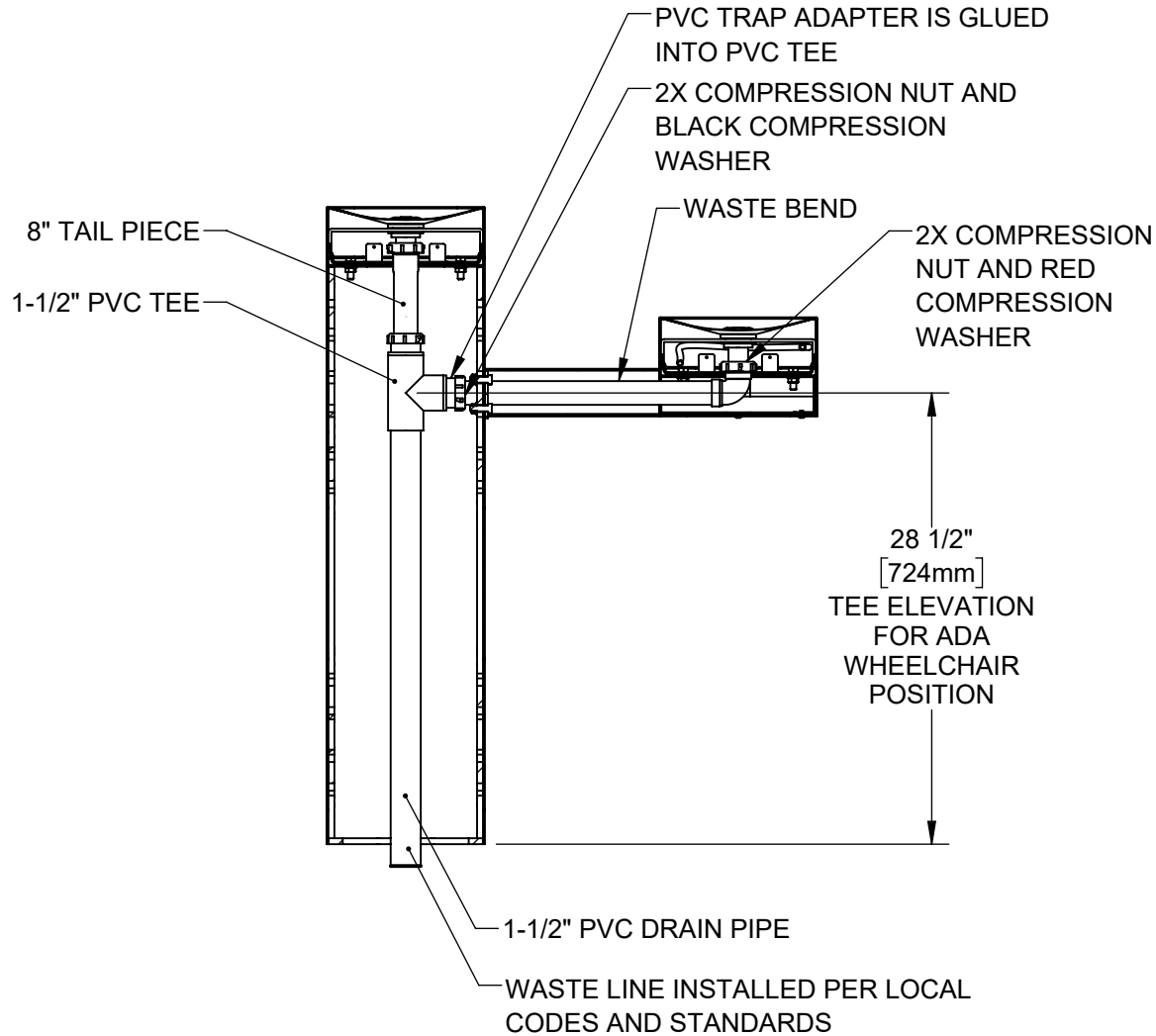
NOTE: PUSH BUTTONS SHOWN ARE FOR REF. ONLY, ACTUAL PUSH BUTTONS ARE DIFFERENT STYLE.

STEP 3

PLACE SQUARE TRIM RING ON TOP OF PEDESTAL AND PLACE ONE FOUNTAIN ASSY. ON TOP OF TRIM RING, FACING THE FRONT. USE 3/8" BOLTS AND NUTS VIA THE FRONT ACCESS PANEL TO SECURE FOUNTAIN ASSY. TO PEDESTAL. PLACE TRIM RING AND INSTALL 2ND FOUNTAIN ASSY. ON ARM AS SHOWN. CAREFULLY CENTER TRIM RINGS AND TORQUE BOLTS AND NUTS TO 18 FT-LBS


		1455 KLEPPE LANE SPARKS, NEVADA 89431 (775) 359-4712 FAX (775) 359-7424 E-MAIL: HAWS@HAWS.CO.COM WEBSITE: WWW.HAWS.CO.COM	
		ECN: 5652 DRAWN: DHP APPROVED: FV	REV. ECN: 5822 DATE: 6/11/20 DATE: 07/12/22
PART NUMBER 0580001169.D			REVISION 3
SCALE: 1:24 DRAWING TYPE: INSTALLATION		SIZE: A SHEET 3 OF 8	

INSTALLATION INSTRUCTIONS

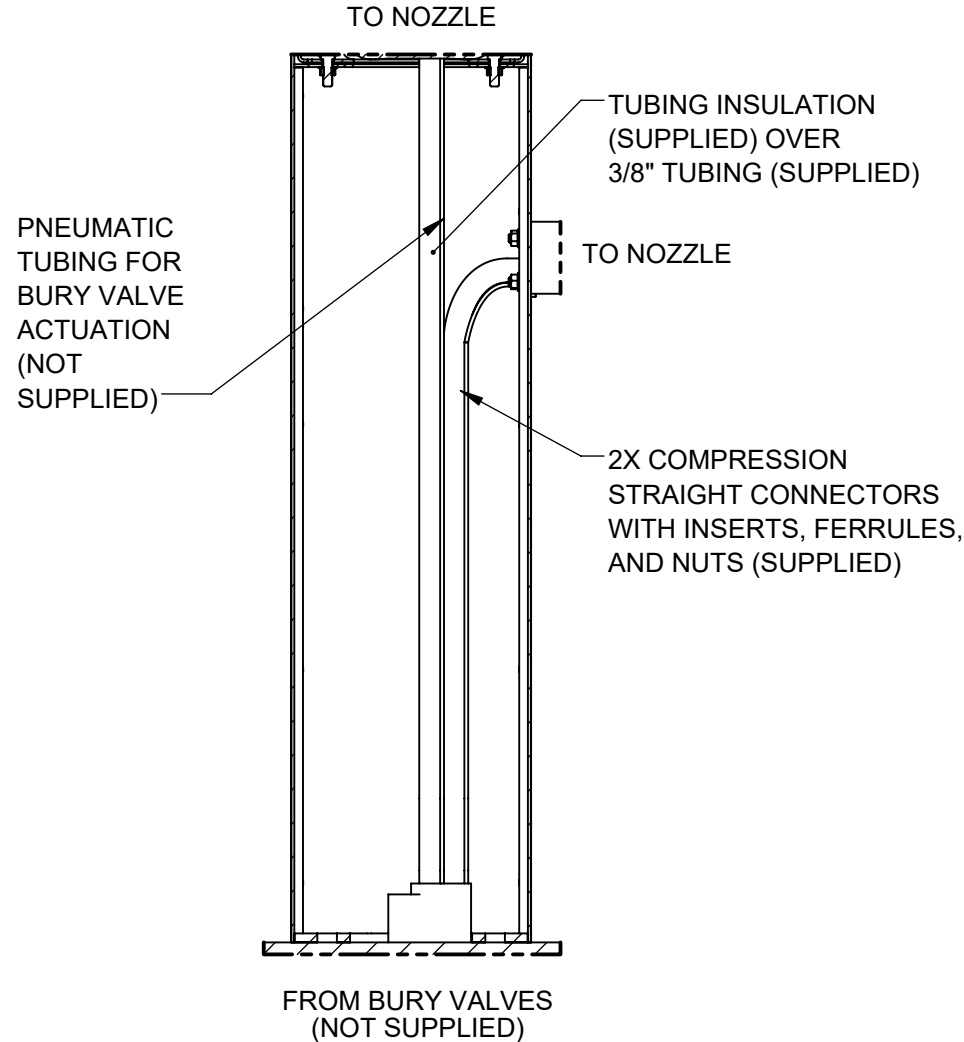


STEP 4

INSTALL SUPPLIED DRAIN COMPONENTS AS SHOWN. RED COMPRESSION WASHERS ADAPT FROM 1-1/4" TO 1-1/2" AT EACH DRAIN TAIL PIECE. BLACK COMPRESSION WASHERS ARE USED IN TRAP ADAPTERS AT TEE. USE APPROPRIATE PVC CEMENT TO MAKE SOLVENT CEMENT CONNECTIONS. TRIM WASTE BEND AND/OR TAIL PIECE LENGTH IF REQUIRED. NOTE THAT EXTRA PARTS MAY BE INCLUDED TO FACILITATE OTHER CONFIGURATIONS OF THIS FOUNTAIN.

		1455 KLEPPE LANE SPARKS, NEVADA 89431 (775) 359-4712 FAX (775) 359-7424 E-MAIL: HAWS@HAWS.CO.COM WEBSITE: WWW.HAWS.CO.COM	
		ECN: 5652 DRAWN: DHP APPROVED: FV	REV. ECN: 5822 DATE: 6/11/20 DATE: 07/12/22
PART NUMBER 0580001169.D			REVISION 3
SHEET 4 OF 8			SIZE: A

INSTALLATION INSTRUCTIONS




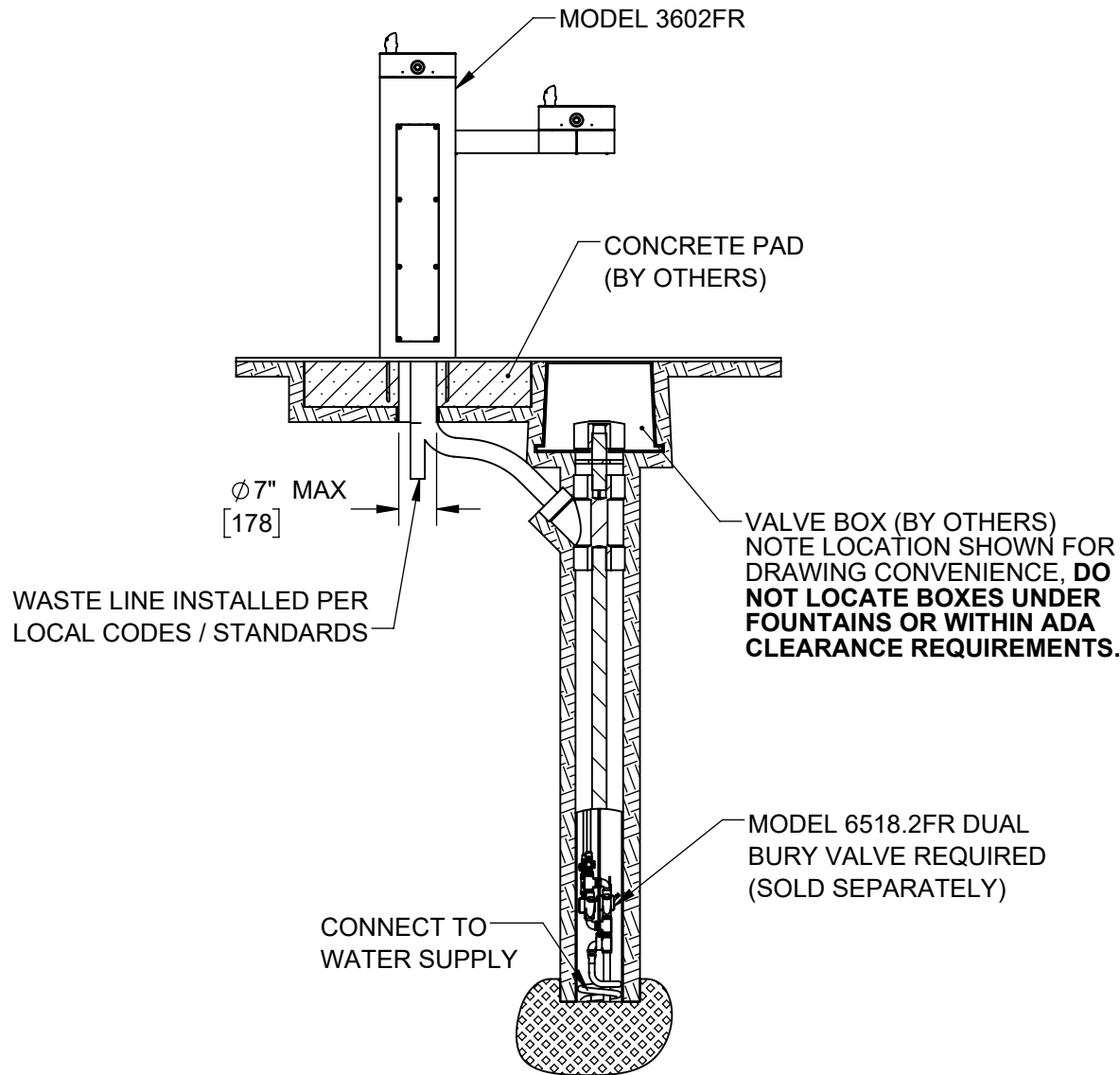
3602FR SUPPLY PLUMBING*

* SEE NEXT SHEET OF THIS DRAWING FOR MORE INFORMATION ON INSTALLING BURY VALVES WITH THIS MODEL.

STEP 5


COMPLETE WATER SUPPLY PLUMBING AS SHOWN. OPEN SUPPLY VALVE(S) AND TEST. REPLACE ARM BOTTOM PLATES AND PEDESTAL ACCESS PLATES. BURY VALVES (NOT SUPPLIED) ARE REQUIRED FOR 3602FR INSTALLATION. REFER TO BURY VALVE OPERATION AND MAINTENANCE MANUAL FOR ADDITIONAL INFORMATION.

		1455 KLEPPE LANE SPARKS, NEVADA 89431 (775) 359-4712 FAX (775) 359-7424 E-MAIL: HAWS@HAWS.CO.COM WEBSITE: WWW.HAWS.CO.COM	
		ECN: 5652 REV. ECN: 5822 DRAWN: DHP APPROVED: FV	BY: JU DATE: 6/11/20 CHKD: BJM DATE: 07/12/22
SCALE: 1:24		DRAWING TYPE: INSTALLATION	SIZE: A SHEET 5 OF 8



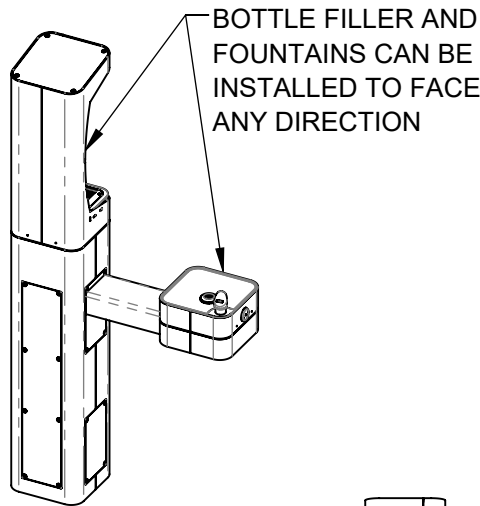
INSTALL BURY VALVES IN ACCORDANCE WITH MANUFACTURER'S INSTRUCTIONS. INSTALLATION MUST COMPLY WITH LOCAL CODES / STANDARDS, INCLUDING ADA CODES IF APPLICABLE.

3602FR GENERAL BURY VALVE LAYOUT (FOR REFERENCE ONLY)

		1455 KLEPPE LANE SPARKS, NEVADA 89431 (775) 359-4712 FAX (775) 359-7424 E-MAIL: HAWS@HAWS.CO.COM WEBSITE: WWW.HAWS.CO.COM	
ECN: 5652	REV. ECN: 5822	BY: JU	MODEL(S) 3602FR
DRAWN: DHP	DATE: 6/11/20	CHKD: BJM	PART NUMBER 0580001169.D
APPROVED: FV	DATE: 07/12/22	SCALE: 1:24	REVISION 3
DRAWING TYPE: INSTALLATION		SIZE: A	SHEET 6 OF 8

NOTES ON OPTIONAL CONFIGURATIONS

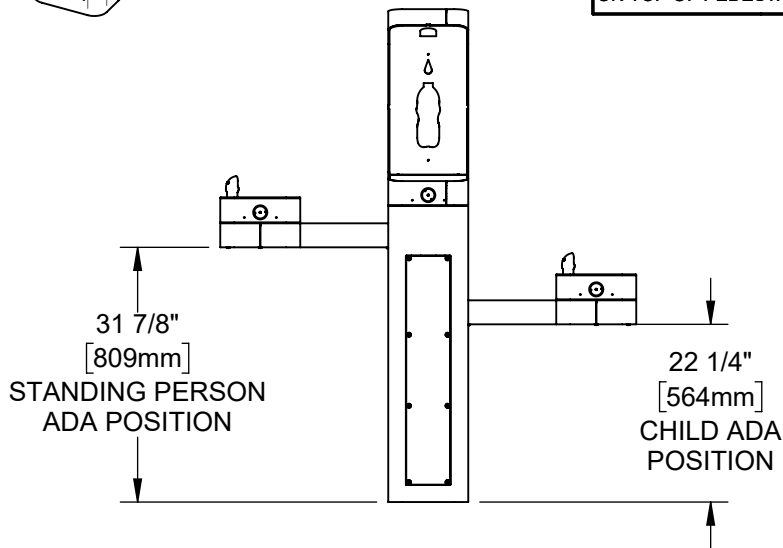
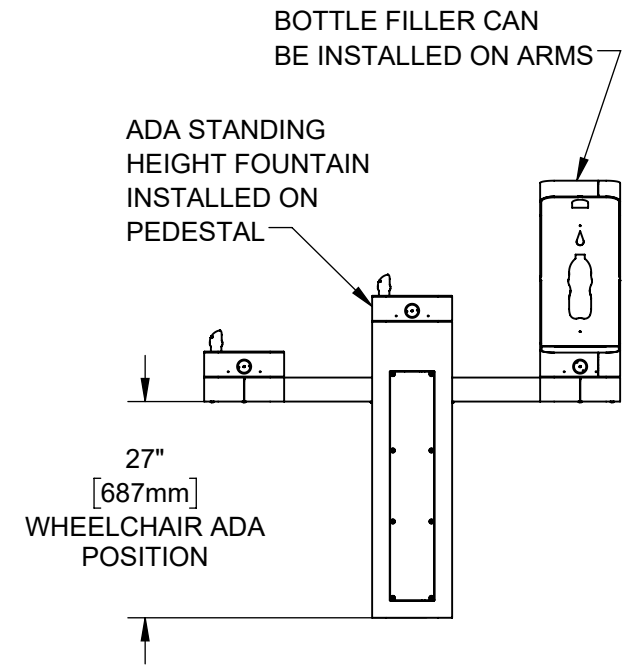
HAWS 3600FR SERIES OUTDOOR FOUNTAINS ARE MODULAR AND CAN BE ASSEMBLED AND CONFIGURED MANY DIFFERENT WAYS. DISPLAYED HERE ARE A FEW EXAMPLES. CONFIGURATIONS OTHER THAN THAT SHOWN IN THE INSTALLATION INSTRUCTIONS FOR THE 3602FR MAY AFFECT COMPLIANCE WITH ADA REGULATIONS. IT IS THE RESPONSIBILITY OF THE INSTALLER TO UNDERSTAND LOCAL, STATE, AND FEDERAL REGULATIONS AS APPLICABLE IF INSTALLING THIS FOUNTAIN IN CONFIGURATIONS OTHER THAN THAT INDICATED ON SHEET 1 (PAGE 6 OF 13).



ADA ARM HEIGHT POSITION OPTIONS				
	LEFT SIDE*	RIGHT SIDE*	ARM HEIGHT (LOWER EDGE)	BUBBLER NOZZLE HEIGHT
STANDING ADA	YES (STD)	NO	31-7/8 [809 mm]	39-3/8 [999 mm]**
WHEELCHAIR ADA	YES	YES (STD)	27 [687 mm]	34-5/8 [878 mm]
CHILD ADA	YES	YES	22-1/4 [566 mm]	29-7/8 [757 mm]

* RIGHT AND LEFT CAN BE REVERSED IF PEDESTAL IS ROTATED 180°.

**NOZZLE HEIGHT IS 41-1/2" WHEN FOUNTAIN IS INSTALLED ON TOP OF PEDESTAL.

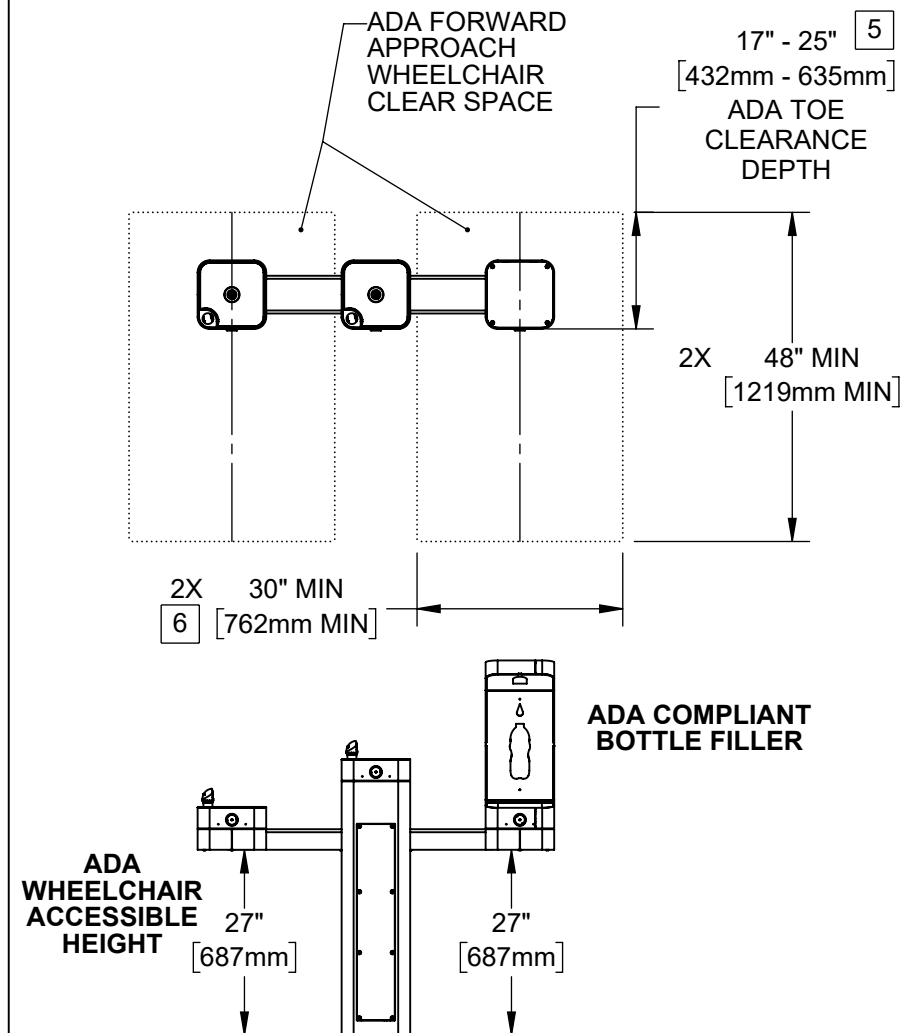
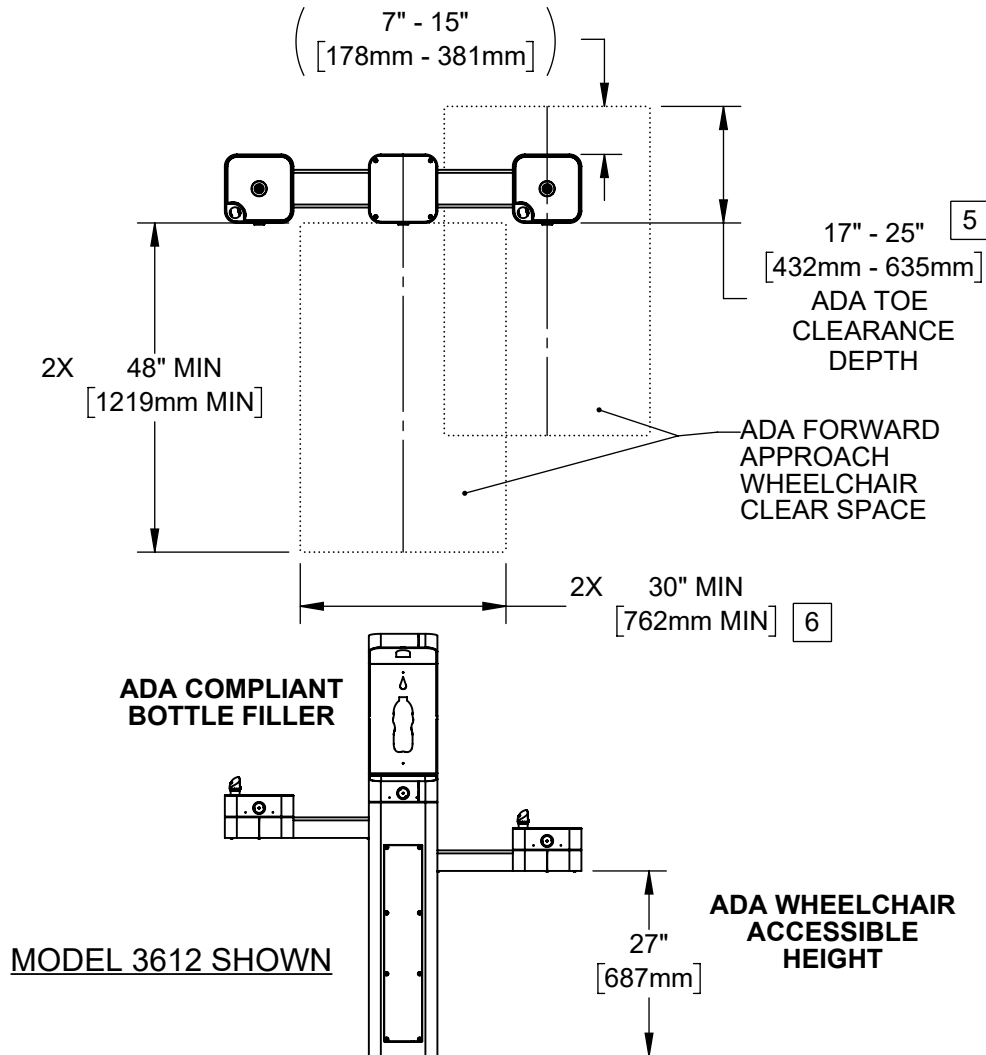


NOTE: PUSH BUTTONS SHOWN ARE FOR REF. ONLY, ACTUAL PUSH BUTTONS ARE DIFFERENT STYLE.

		1455 KLEPPE LANE SPARKS, NEVADA 89431 (775) 359-4712 FAX (775) 359-7424 E-MAIL: HAWS@HAWSO.COM WEBSITE: WWW.HAWSO.COM	
		ECN: 5652 REV. ECN: 5822 DRAWN: DHP APPROVED: FV	BY: JU CHKD: BJM DATE: 07/12/22
SCALE: 1:24 DRAWING TYPE: INSTALLATION SIZE: A		SHEET 7 OF 8	

NOTES:

3. CLEAR FLOOR SPACES APPLY FOR ALL MODELS WITH A DRINKING FOUNTAIN OR BOTTLE FILLER INSTALLED AT ADA WHEELCHAIR ACCESSIBLE HEIGHT AND PEDESTAL MOUNTED BOTTLE FILLERS.
4. ORIENTATION OF CLEAR FLOOR SPACE IS DEPENDENT ON THE FOUNTAIN OR BOTTLE FILLER ORIENTATION.
- 5 SOME CALIFORNIA JURISDICTIONS MAY REQUIRE 18" MIN.
- 6 SOME CALIFORNIA JURISDICTIONS MAY REQUIRE 32" MIN.
7. REFER TO ADA STANDARDS AND/OR YOUR LOCAL BUILDING CODE FOR CLEAR SPACE GUIDELINES FOR PARALLEL APPROACH.



MODEL 3612 ALTERNATE CONFIGURATION SHOWN

THESE HAWS MODELS ARE FULLY COMPLIANT WITH THE FEDERAL 2010 AMERICANS WITH DISABILITIES ACT (ADA) ACCESSIBILITY REQUIREMENTS WHEN INSTALLED AS SHOWN HERE AND WHEN INSTALLED WITH PROPER CLEARANCES AND ACCESS. IT IS THE RESPONSIBILITY OF THE INSTALLER TO ADHERE TO LOCAL, STATE, AND FEDERAL CODES WHEN INSTALLING THIS UNIT. DISTANCE TO SURROUNDING OBJECTS, APPROACH SURFACES, ETC. SHOULD BE CONSIDERED.

Haws®

1455 KLEPPE LANE
SPARKS, NEVADA 89431
(775) 359-4712 FAX (775) 359-7424
E-MAIL: HAWS@HAWSO.COM
WEBSITE: WWW.HAWSO.COM

ECN: 5652	REV. ECN: 5822	BY: JU	MODEL(S): 3602FR	PART NUMBER: 0580001169.D
DRAWN: DHP	DATE: 6/11/20	CHKD: BJM		REVISION: 3
APPROVED: FV	DATE: 07/12/22	SCALE: 1:28	DRAWING TYPE: INSTALLATION	SHEET 8 OF 8