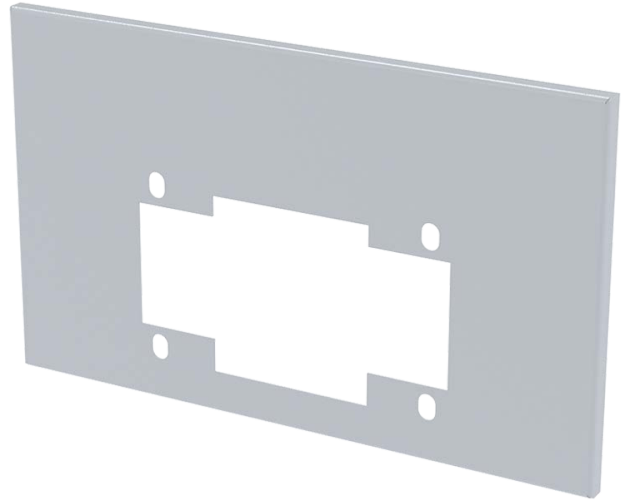


FEATURES & BENEFITS

OPTIONS

For more information, visit www.hawesco.com or call (888) 640-4297.

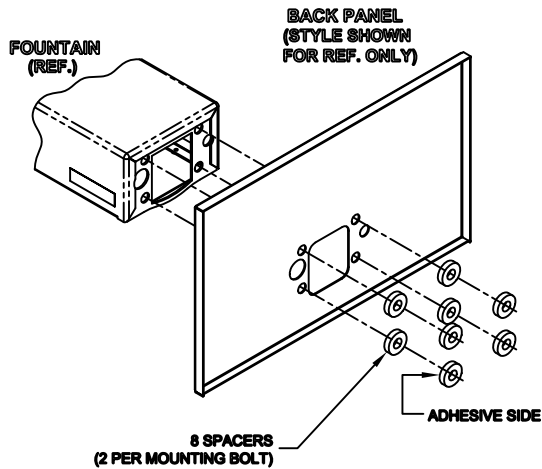
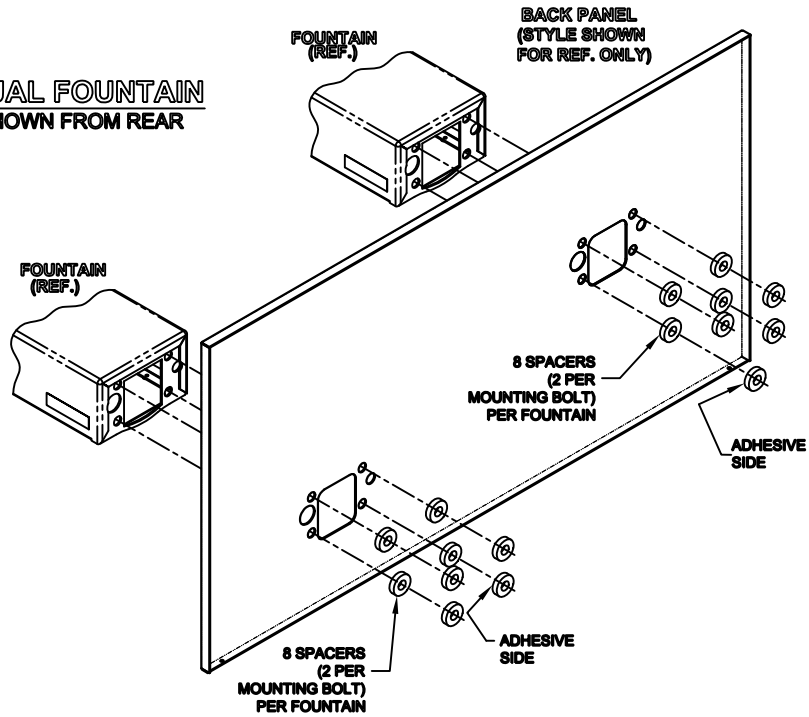


SPECIFICATIONS

Model BP8W is a versatile and decorative back panel for Model 1311 that increases location visibility of the fountain and also helps protect wall from inadvertent splash. It is a 15" x 9" (38 x 23 cm) stainless steel panel with powder-coated white finish.

APPLICATIONS

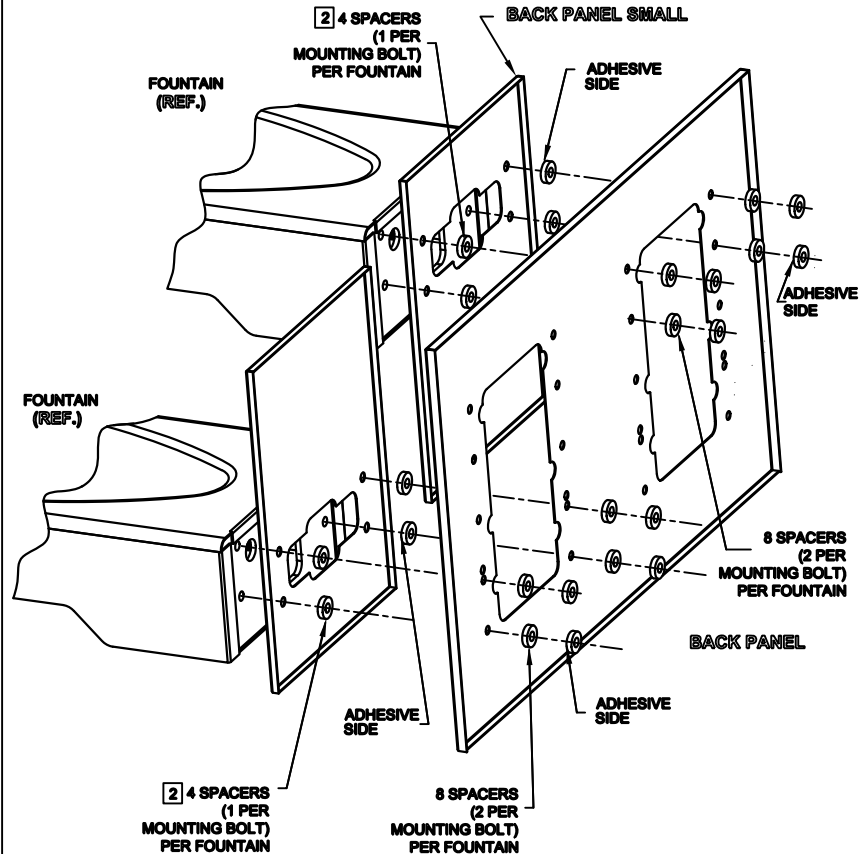
**DUAL FOUNTAIN
SHOWN FROM REAR**



**SINGLE FOUNTAIN
SHOWN FROM REAR**

NOTES:

- 1 ON ALL BACK PANEL MODELS, SPACERS ARE NOT USED WHEN A MOUNTING FRAME IS USED EXCEPT AS SPECIFIED IN NOTE 2
- 2 INDICATED SPACERS ARE USED WITH MOUNTING FRAME (DUAL ADJUSTABLE)



**DUAL FOUNTAIN ADJUSTABLE
SHOWN FROM REAR**



1455 KLEPPE LANE
SPARKS, NEVADA 89431
(775) 359-4712 FAX (755) 359-7424
E-MAIL: HAWS@HAWS.CO.COM
WEBSITE: WWW.HAWS.CO.COM

ECN NO. REVISED PER BY: ECN: 4595 HM	MODEL(S)	PART NUMBER 0002082219
DRAWN: CL DATE: 10/28/92 CHRD:	BACK PANEL SPACER INSTRUCTIONS	DRAWING NO. REV 08282C00 5
APPROVED: DATE:	SCALE: 1:10 DRAWING TYPE: INSTALLATION	SIZE: A SHEET 1 OF 1