



Haws[®]

model **1311-1920W**

ADA Enameled Iron Wall-Mount Fountain and Bottle Filler

FEATURES & BENEFITS

CONSTRUCTION

Heavy-duty cast-iron ADA accessible bowl with a glossy white enamel finish is designed for the toughest of applications, and at the same time is gentle to all users with its soft rounded corners. Unit also ships with vandal-resistant bottom plates to provide added peace of mind.

BOTTLE FILLER

Vandal-resistant, powder-coated white 14-gauge Type 304 stainless steel bottle filler housing with push button and 1 gpm (3.78 L) laminar flow.

PUSH BUTTON VALVES

The push-button activated valves have all stainless steel bodies, with chrome plated brass push button assemblies which allow for front access to water stream adjustment, water control cartridge, and water supply strainer replacement without having to go through the bottom plate. Operating pressure range of 30 to 90 psi (2.1 to 6.2 bar).

BUBBLER HEAD

Polished chrome-plated brass bubbler head with integral laminar flow prevents splashing while providing a superior flow pattern. The integral 1 1/16" dia. basin shank and stainless anti-rotation roll pin for vandal resistance strength. Shielded, angled stream opening provides a steady, sanitary source of drinking water at .45 gpm.

INTEGRATED TRAP

Brass 1-1/4" NPT trap is internally mounted for easy installation and access.



REQUIRED MODELS

1311 / 1920W

Order these items to make up the Model 1311-1920W white enameled-iron fountain and white painted stainless steel bottle filler.

OPTIONS

Mounting Plate: Model 6700, in-wall mounting plate for model 1920W.

Mounting Plate: Model 6700R, on-wall mounting plate for model 1920W.

Support Frame: Model 6800, universal in-wall mounting support for use with most fountains.

Remote Drinking Fountain Water Chiller: Model HCR8, 8 gph (30.3 L) remote water chiller provides instantaneous cooling to meet a continuous demand for chilled water.

Water Filter: Model 6426, 10" x 2" (25.4 x 5.1 cm), in-line lead removal element that reduces lead from incoming water supply.

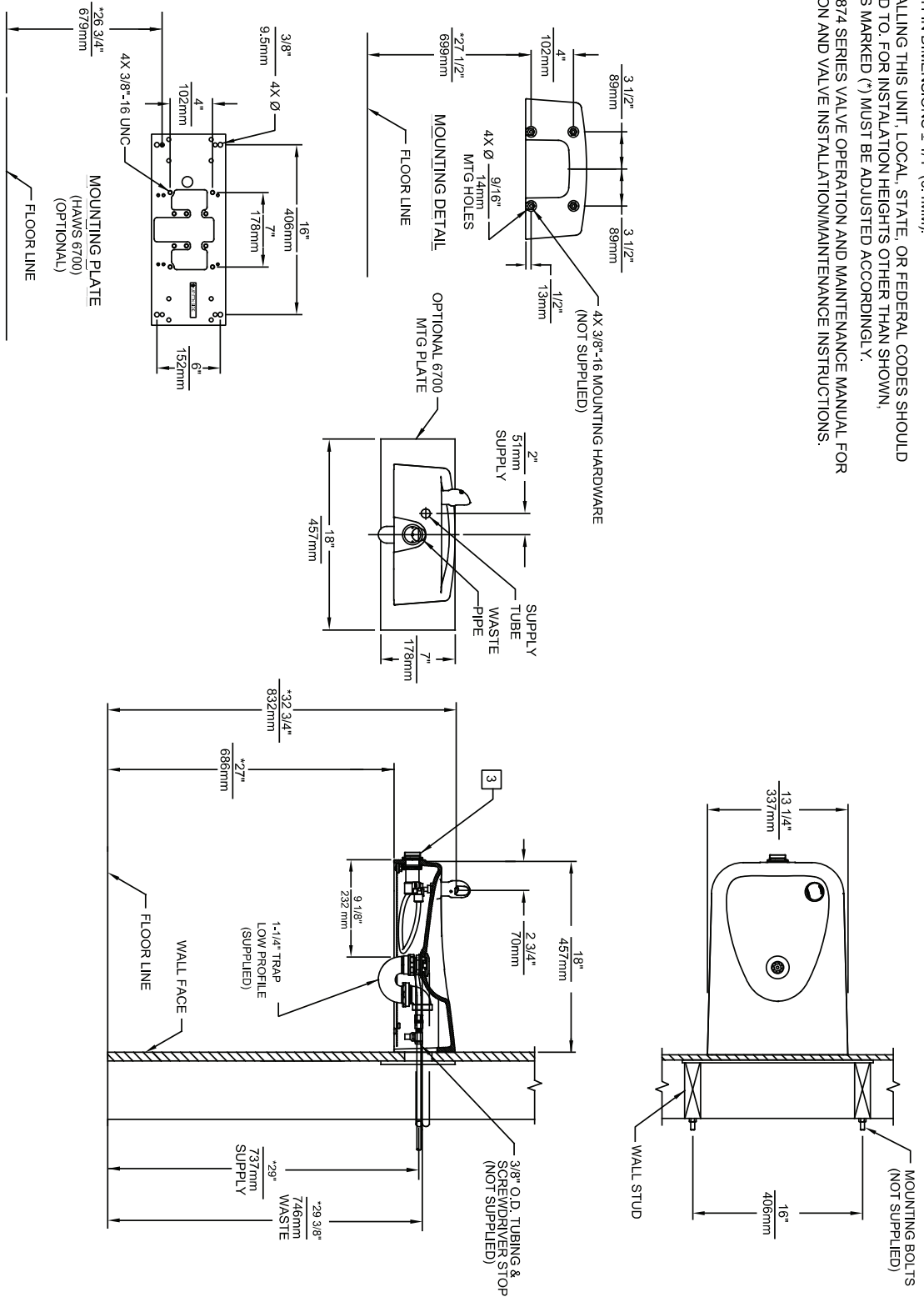
SPECIFICATIONS

Model 1311-1920W wall mounted ADA drinking fountain and bottle filler shall include a white enameled-iron basin with 14 gauge Type 304 powder-coated Stainless Steel bottle filler bracket, 100% lead-free waterways, push-button operated stainless steel valves with front-accessible cartridge and flow adjustment, polished chrome-plated brass vandal-resistant bubbler head with integral anti-squirt flow, 1 gpm (3.78 L) laminar flow bottle filler, chrome plated brass vandal-resistant waste strainer, vandal-resistant bottom plates, and a 1-1/4" NPT trap. CSA certified and ADA accessible, ANSI/NSF 61, Section 9, lead free.



THIS DOCUMENT IS TRUE AND CORRECT AT TIME OF PUBLICATION. CONTINUED PRODUCT IMPROVEMENTS MAKE SPECIFICATIONS AND MEASUREMENTS SUBJECT TO CHANGE WITHOUT NOTICE.

1. HOLD ROUGH-IN DIMENSIONS ± 1/4" (6.4MM).
2. WHEN INSTALLING THIS UNIT LOCAL, STATE, OR FEDERAL CODES SHOULD BE ADHERED TO. FOR INSTALLATION HEIGHTS OTHER THAN SHOWN, DIMENSIONS MARKED (*) MUST BE ADJUSTED ACCORDINGLY.
3. REFER TO 5874 SERIES VALVE OPERATION AND MAINTENANCE MANUAL FOR PUSH BUTTON AND VALVE INSTALLATION/MAINTENANCE INSTRUCTIONS.



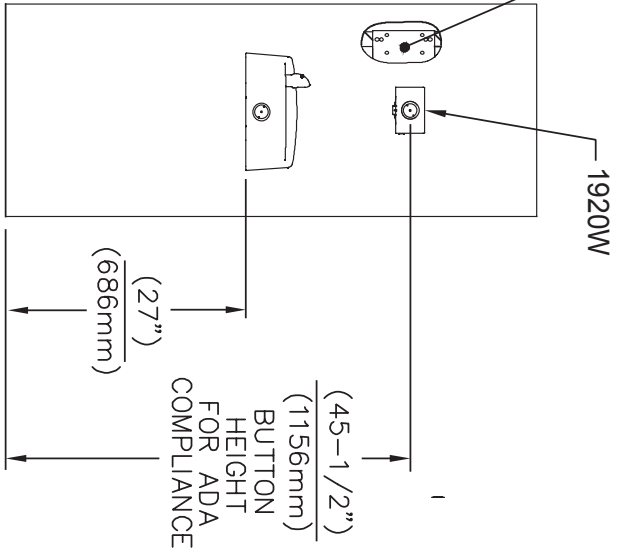
Haws
 1455 KILBPE LANE
 SPARKS, NEVADA, 89431
 (775) 359-4712 FAX (775) 359-7424
 EMAIL: HAWS@HAWSCCO.COM
 WEBSITE: WWW.HAWSCCO.COM

ENGINEER	DESIGNED BY	MODEL(S)	SCALE	DRAWING TYPE	INSTALLATION	SIZE	SHEET	OF
2010	ECN: 5166	VWC	1:4			A	1	1
DRAWN	DATE	CHKD						
HM	09/25/15	VWC						
APPROVED	DATE							
PV	02/22/17							
EATING REQUIRED PER: VWC		1311						
REV. 05/10/00/04/6/D								
REV. 05/10/00/04/6/D								

©2017 Haws Corporation - All Rights Reserved. HAWS® and other trademarks used in these materials are the exclusive property of Haws Corporation.

THIS DOCUMENT IS TRUE AND CORRECT AT TIME OF PUBLICATION. CONTINUED PRODUCT IMPROVEMENTS MAKE SPECIFICATIONS AND MEASUREMENTS SUBJECT TO CHANGE WITHOUT NOTICE.

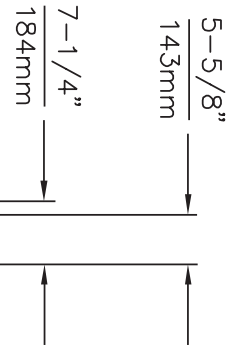
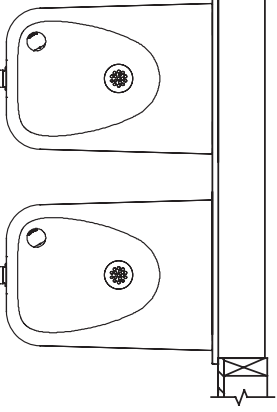
6700 MOUNTING PLATE
(BEHIND FINISH WALL)
-OR-
BOLT 1920 ON TO
EXISTING WALL



INSTALLATION ABOVE HAWS 1311

* IF YOUR FOUNTAIN IS THIS STYLE USE THESE DIMENSIONS

1. SEE SEPERATE INSTALLATION DRAWINGS FOR MOUNTING PLATES AND BACKPANELS
2. WHEN INSTALLING THIS UNIT, LOCAL, STATE OR FEDERAL CODES SHOULD BE ADHERED TO FOR INSTALLATION LOCATIONS, WASTE & SUPPLY REQUIREMENTS OTHER THAN SHOWN.



3/8" PUSH IN TEE
(CONNECT TO
FOUNTAIN SUPPLY)



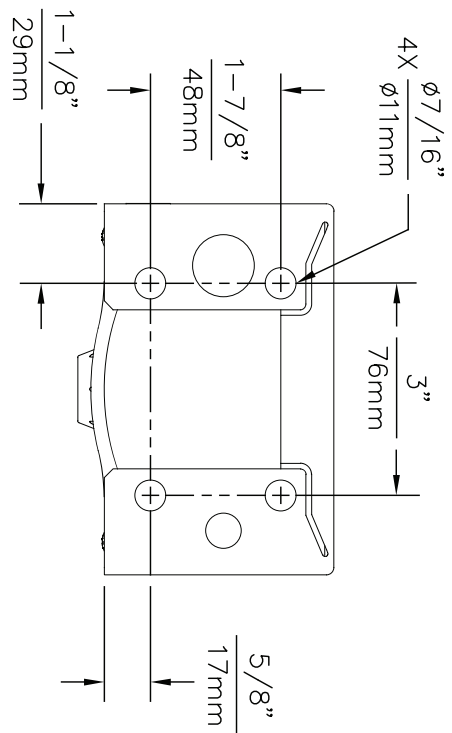
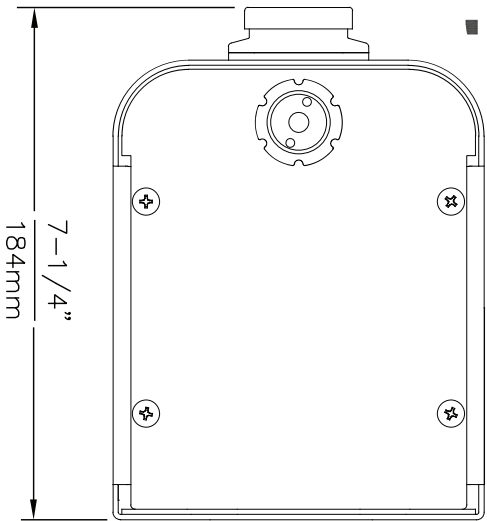
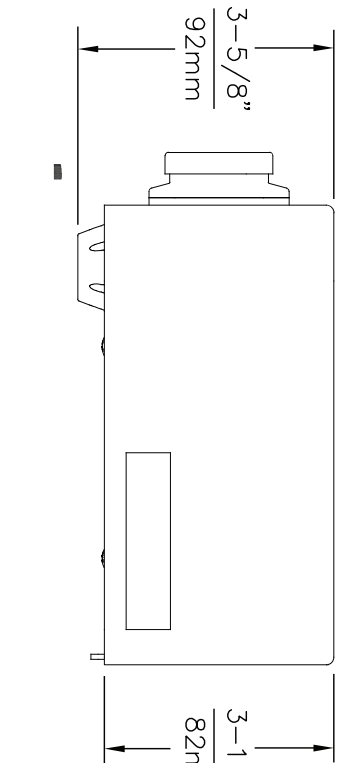
Haws

1455 KLEPPE LANE
SPARKS, NEVADA 89431
(775) 359-4712 FAX (775) 359-7424
E-MAIL: HAWS@HAWS.CO.COM
WEBSITE: WWW.HAWS.CO.COM

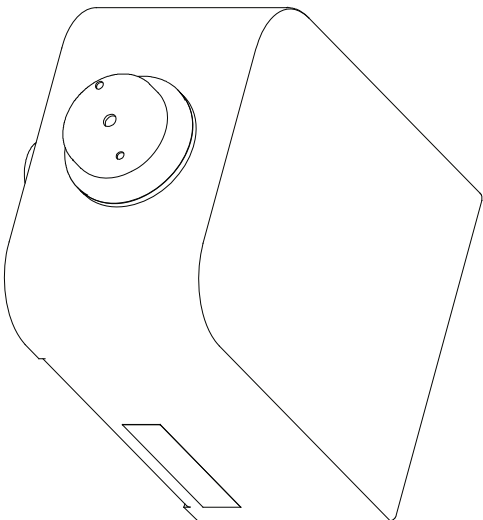
ECN NO.	REVISOR	PER	BY	MODEL(S)
DATE	DATE	CHRD.		MODEL 1311
APPROVED	SCALE	VA	DRAWING TYPE	INSTALLATION
				WITH MODEL 1920 BOTTLE FILLER
				PART NUMBER
				1311-20
				REVISION
				0A.1
				SIZE: A1 SHEET 1 OF 1

©2017 Haws Corporation - All Rights Reserved. HAWS® and other trademarks used in these materials are the exclusive property of Haws Corporation.

THIS DOCUMENT IS TRUE AND CORRECT AT TIME OF PUBLICATION. CONTINUED PRODUCT IMPROVEMENTS MAKE SPECIFICATIONS AND MEASUREMENTS SUBJECT TO CHANGE WITHOUT NOTICE.



1920 MOUNTING HOLE LOCATIONS

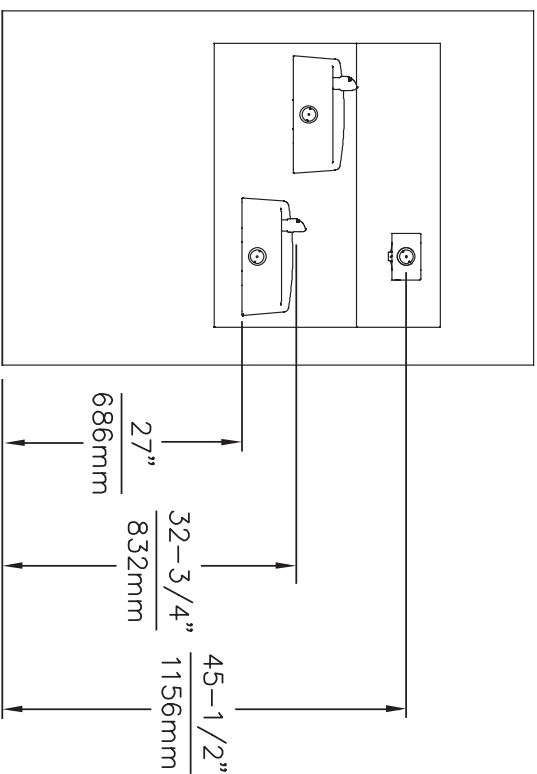


NOTES:

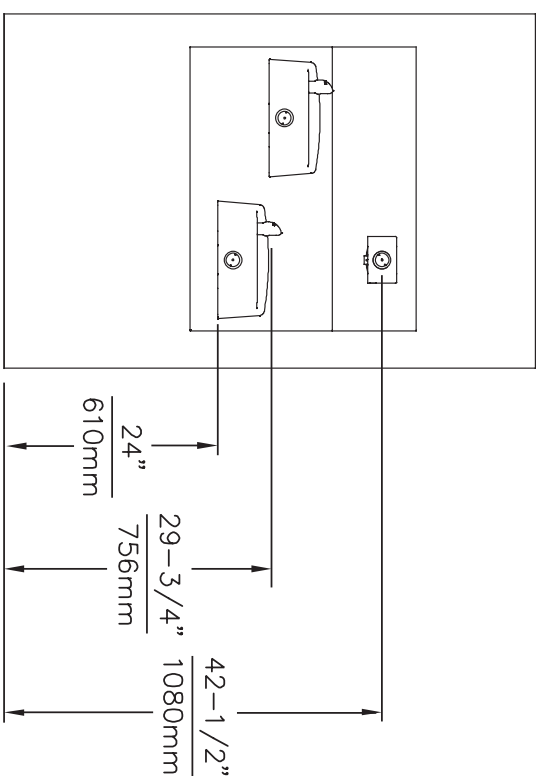
1. SEE SEPERATE INSTALLATION DRAWINGS FOR MOUNTING PLATES AND BACKPANELS
2. WHEN INSTALLING THIS UNIT, LOCAL, STATE OR FEDERAL CODES SHOULD BE ADHERED TO FOR INSTALLATION LOCATIONS, WASTE & SUPPLY REQUIREMENTS OTHER THAN SHOWN.

©2017 Haws Corporation - All Rights Reserved. HAWS® and other trademarks used in these materials are the exclusive property of Haws Corporation.

		Haws	
ECNO: 5081	REISED REF BY: MJ	MODEL(S):	MODEL 1920/1920HPS/1920W
DRAWN: DS	DATE: 05/23/16	CHK'D: FV	
APPROVED: NA	DATE: 6/27/17	SCALE: NA	DRAWING TYPE: INSTALLATION
1455 KLEPPE LANE SPARKS, NEVADA 89431 (775) 359-4712 FAX (775) 359-7424 E-MAIL: HAWS@HAWSCO.COM WEBSITE: WWW.HAWSCO.COM		PART NUMBER:	0510000490.D
		REVISION:	2
		SIZE: A	SHEET 1 OF 5



ADA ADULT ACCESSIBLE DIMENSIONS 1501 AND 1311
 DIMENSIONS ALSO APPLY TO SINGLE FOUNTAIN MODEL 1311 (NOT SHOWN)



ADA CHILD ACCESSIBLE DIMENSIONS 1501 AND 1311
 DIMENSIONS ALSO APPLY TO SINGLE FOUNTAIN MODEL 1311 (NOT SHOWN)



1455 KLEPPE LANE
 SPARKS, NEVADA 89431
 (775) 359-4712 FAX (775) 359-7424
 E-MAIL: HAWS@HAWS.CO.COM
 WEBSITE: WWW.HAWS.CO.COM

EQ: NO.	REVISED/FER/ BY:	MODEL(S)	1455 KLEPPE LANE
DRW: NO.	EQ: NO.	MODEL(S)	SPARKS, NEVADA 89431
SCALE:	DATE:	WITH MODEL 1920 BOTTLE FILLER	(775) 359-4712 FAX (775) 359-7424
APPROV: [Signature]	CHKD: [Signature]	INSTALLATION	E-MAIL: HAWS@HAWS.CO.COM
	DATE:	SCALE: N/A	WEBSITE: WWW.HAWS.CO.COM
		DRAWING TYPE:	
		SIZE: A	
		SHEET: 1 OF 1	
		PART NUMBER	
		1501-24	
		REVISION	
		0A.1	