



Haws[®]
AXION[®]

model 8317CTFP
MSR Freeze-Protected Shower and Eye/Face Wash

FEATURES & BENEFITS

CONSTRUCTION

1-1/4" Schedule 40 Stainless Steel pipe stanchion, galvanized fittings, and powder-coated cast-iron 9" (22.9 cm) diameter floor flange provide an unsurpassed durability in a long lasting product.

CONSTRUCTION

3/4" (1.9 cm) insulation and UV protected ABS plastic jacket prevent freezing down to temperature levels as low as -30° F (-34.4° C) to maintain optimal functioning conditions.

QUALITY CONTROL

Entire unit is pre-built and pressure tested to ensure a leak free installation.

VALVES

Automatic thermal actuator bleed valve opens when internal water temperature drops below 35° F (1.7° C) and will not close until temperature reaches 42° F (5.6° C) so the unit is protected against freezing if power fails to reach the heat traced cable. Brass eye/face wash and shower ball valves are equipped with stainless steel ball and stem.

TEMPERATURE CONTROL

120V thermostatically controlled heat traced cable provides the energy needed to keep the combination shower and eye/face wash from freezing in extreme conditions.

SHOWERHEAD

AXION[®] MSR ABS plastic drench showerhead uses a hydrodynamic design to give equal distribution of water throughout the entire footprint of flow.

EYE/FACE WASH

AXION[®] MSR eye/face wash head uses an inverted directional laminar flow to sweep contaminants away from the vulnerable nasal cavity.

OPTIONS

- Thermostatic Mixing Valve: Model 9201E AXION[®] Emergency Tempering Valve thermostatically mixes hot and cold water to provide a safe fluid supply for emergency showers and eyewash equipment, with a flow rate of 31 gpm (117.3 L).
- Emergency Alarm System: Model 9001, 1-1/4" 120 VAC emergency alarm and light system. Buzzer and flashing light are activated by an 1-1/4" double pole, double throw flow switch.
- AXION[®] MSR Showerhead: Model SP829SS, AXION[®] MSR stainless steel drench showerhead with integral 20 gpm (75.7 L) flow control.
- ANSI Shower and Eyewash Testing Kit: Model 9011 ANSI compliance test kit.

For more information, visit www.hawsc.com or call (888) 640-4297.



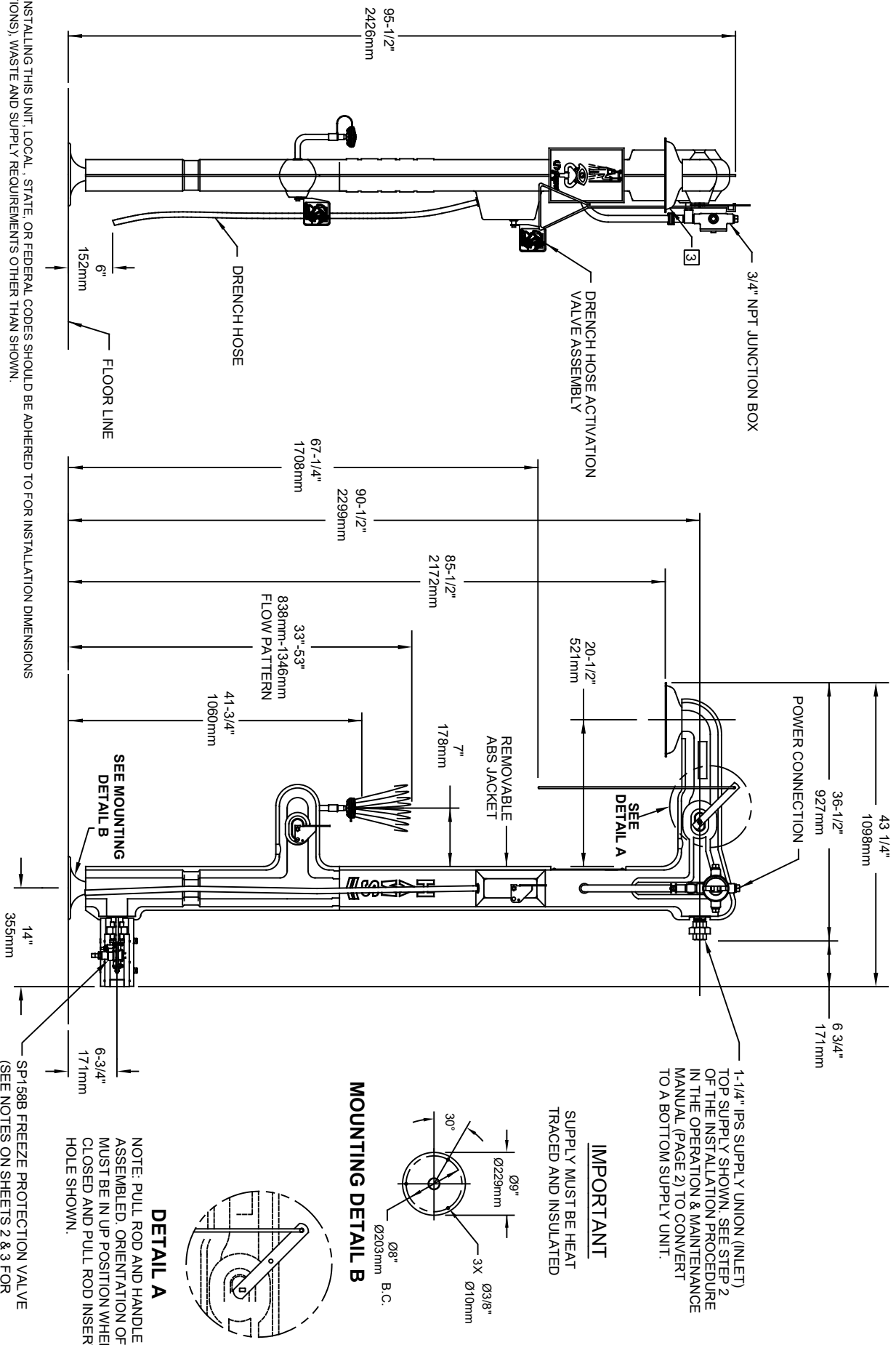
SPECIFICATIONS

Model 8317CTFP freeze protected 120 VAC cable heated combination shower and eye/face wash shall include the AXION[®] MSR hydrodynamic designed green ABS plastic 10-5/8" (26.9 cm) showerhead with integral self-regulating 20 gpm flow control, an AXION MSR eye/face wash head shall feature inverted directional laminar flow which achieves Zero Vertical Velocity[™] supplied by an integral 4 gpm flow control, chrome-plated brass shower and eyewash ball valves equipped with stainless steel ball and stem, separate ball valve activated hose spray, and automatic thermal actuator freeze protection bleed valve. Unit shall also include thermostatically controlled electric heat traced cable protected by 3/4" (1.9 cm) insulation and UV protected ABS green plastic jacket that prevents freezing down to ambient temperatures of -30° F, powder-coated cast-iron 9" (22.9 cm) diameter floor flange, universal sign, 1-1/4" IPS supply, and rated Class 1, Div 2, Group B, C & D with a 1.25 amp max. (Class I, DIV I is available as a special option)

APPLICATIONS

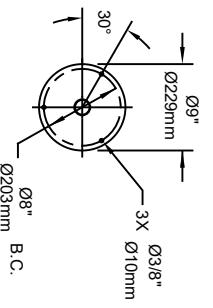
Where the eyes, face, or body of any person may be exposed to injurious or corrosive materials, suitable facilities for quick drenching or flushing of the eyes, face, and body shall be provided within the work area for immediate emergency use. Unit is ideal for areas where temperature may fluctuate down to freezing levels as low as -30° F (-34.44° C) Emergency eye/face wash facilities and deluge showers shall be in unobstructed and accessible locations that require no more than 10 seconds for the injured person to reach. Model 8317CTFP is certified by CSA to meet the ANSI Z358.1 Standard for Emergency Eyewash and Shower Equipment. Model is CSA electrical certified, TYPE 4. (Nema 4 equivalent)



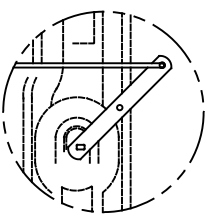


1-1/4" IPS SUPPLY UNION (INLET) TOP SUPPLY SHOWN. SEE STEP 2 OF THE INSTALLATION PROCEDURE IN THE OPERATION & MAINTENANCE MANUAL (PAGE 2) TO CONVERT TO A BOTTOM SUPPLY UNIT.

IMPORTANT
SUPPLY MUST BE HEAT TRACED AND INSULATED



MOUNTING DETAIL B



DETAIL A

NOTE: PULL ROD AND HANDLE NOT ASSEMBLED. ORIENTATION OF HANDLE MUST BE IN UP POSITION WHEN FULLY CLOSED AND PULL ROD INSERTED IN HOLE SHOWN.

NOTE: SP158B FREEZE PROTECTION VALVE (SEE NOTES ON SHEETS 2 & 3 FOR INSTALLATION INSTRUCTIONS.)

NOTES:

1. WHEN INSTALLING THIS UNIT, LOCAL, STATE, OR FEDERAL CODES SHOULD BE ADHERED TO FOR INSTALLATION DIMENSIONS (LOCATIONS), WASTE AND SUPPLY REQUIREMENTS OTHER THAN SHOWN.
 2. TO COMPLY WITH ANSI Z368-1:2014 FOR EMERGENCY EYEWASH OR EYEFACE WASH, EYEWASH OR EYEFACE WASH SHALL BE POSITIONED SUCH THAT FLUSHING FLUID PATTERN IS NOT LESS THAN 33" (838mm) AND NO GREATER THAN 53" (1346mm) FROM SURFACE ON WHICH USER STANDS; AND 60" (153mm) MINIMUM FROM WALL OR NEAREST OBSTRUCTION.
 3. DO NOT USE REGULAR PIPE SEALANT. IF NECESSARY USE DOW CORNING 832 SEALANT PLACING FIVE SMALL BEADS ON MALE THREADS, JUST ABOVE THE FIRST THREAD.
 4. DIMENSIONS MAY VARY BY ±1/2" (13 mm).
- (NOTES CONTINUED ON SHEET 2.)



Haws

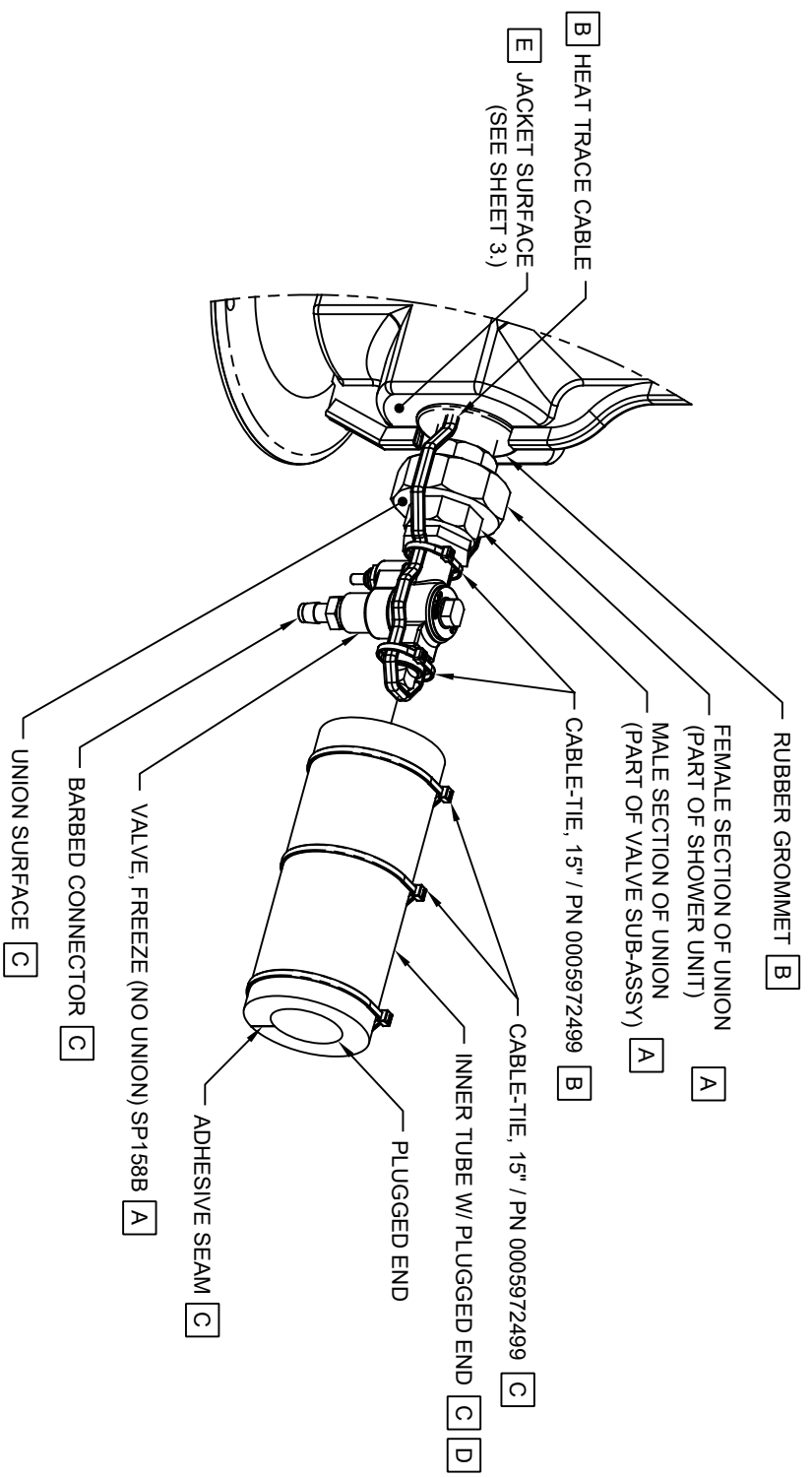
1456 KLEPPE LANE
SPARKS, NEVADA 89431
(775) 359-4712 FAX (775) 359-7424
E-MAIL: HAWS@HAWS.CO.COM
WEBSITE: WWW.HAWS.CO.COM

ECN NO. REVISED PER BY:	MODEL(S)	PART NUMBER
4632 ECN: 5762 FV	8317CTFP (120V) / 8317CTFP.220V	0002081781.D
DATE: CHK'D:	DATE: CHK'D:	REVISION:
RTM: 3/29/05 B.M.	RTM: 3/29/05 B.M.	19
APPROVED: FV	SCALE: NA	DRAWING TYPE: INSTALLATION
DATE: 02/08/22	SIZE: A	SHEET: 1 OF 4

NOTES: (CONTINUED FROM SHEET 1 OF 4)

4. FREEZE PROTECTION VALVE INSTALLATION INSTRUCTIONS:
 - A INSTALL VALVE SUB-ASSEMBLY INTO FEMALE SECTION OF UNION AND TIGHTEN WATER-TIGHT.
 - B FORM HEAT TRACE CABLE AROUND VALVE AND PLUG, APPLY 2X CABLE-TIES TO HEAT TRACE CABLE, AS SHOWN, ENSURING THAT HEAT TRACE CABLE IS PRESSED FIRMLY AGAINST SIDES OF VALVE (PUSH ANY LOOSE HEAT TRACE CABLE BACK INSIDE JACKET THROUGH RUBBER GROMMET). TRIM EXCESS CABLE-TIE STRAPPING.
 - C SLIDE INNER TUBE W/ PLUGGED END OVER VALVE WITH ADHESIVE SEAM FACING BOTTOM AND NON-PLUGGED END OF TUBE BUTTED UP AGAINST UNION SURFACE. REMOVE 2X ADHESIVE TAPE FROM SEAM AND SQUEEZE ADHESIVE SEAMS TOGETHER AROUND VALVE. APPLY 2X CABLE-TIES TO TUBE, IN APPROXIMATE LOCATIONS SHOWN. TRIM EXCESS CABLE-TIE STRAPPING.

(NOTES CONTINUED ON SHEET 3 OF 4)



SP1588 VALVE SHOWN CONNECTED TO BOTTOM UNION FOR REFERENCE ONLY. VALVE CAN BE INSTALLED AT TOP OR BOTTOM.

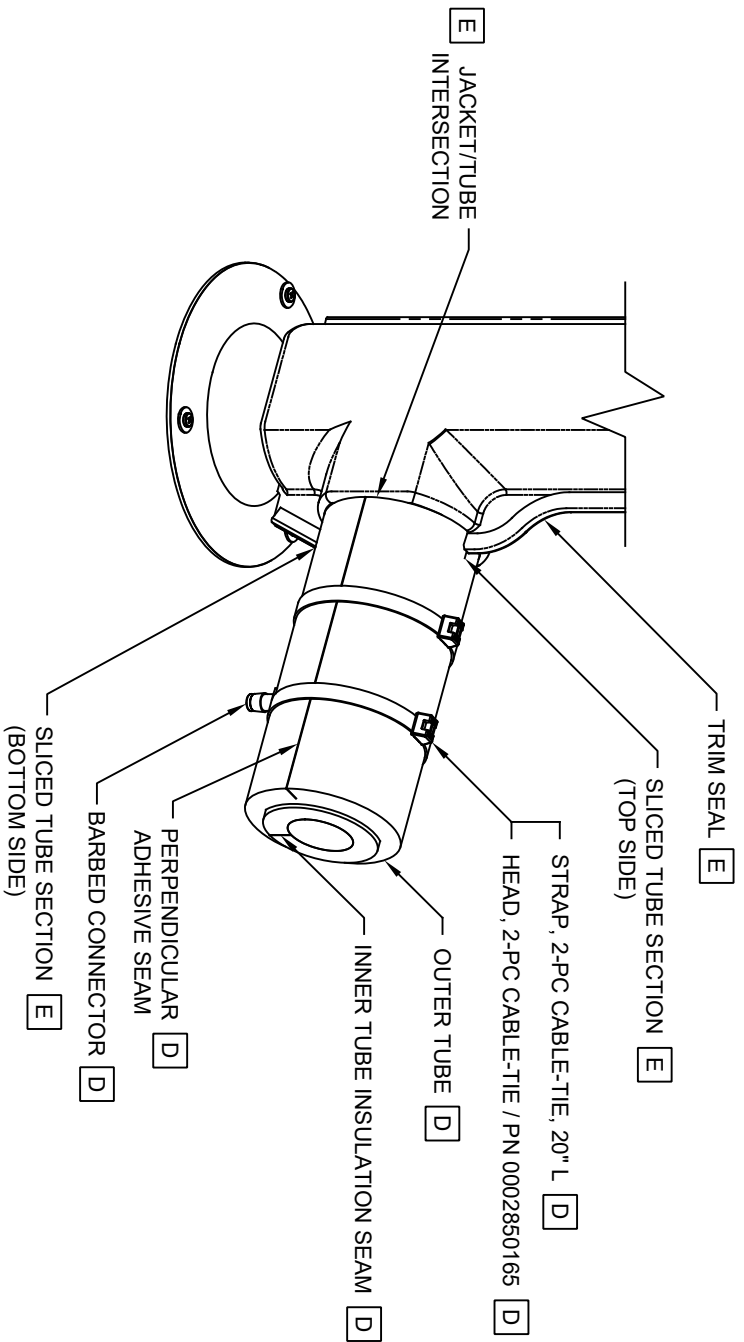
Haws		1455 KLEPPE LANE SPARKS, NEVADA 89431 (775) 359-4712 FAX (775) 359-7424 E-MAIL: HAWS@HAWSCO.COM WEBSITE: WWW.HAWSCO.COM	
EON NO. REVISED PER BY:	MODEL(S)	PART NUMBER	
4832 EON: 5782 FV	8317CTFP (120V) / 8317CTFP 220V	0002081781.D	
DATE: 12/21/12	CHKD: BJM	REVISION: 19	
APPROVED: FV	DATE: 02/08/22	SCALE: NA	DRAWING TYPE: INSTALLATION
		SIZE: A	SHEET 2 OF 4

NOTES: (CONTINUED FROM SHEET 2 OF 4)

5. FREEZE PROTECTION VALVE INSTALLATION INSTRUCTIONS (CONTINUED):

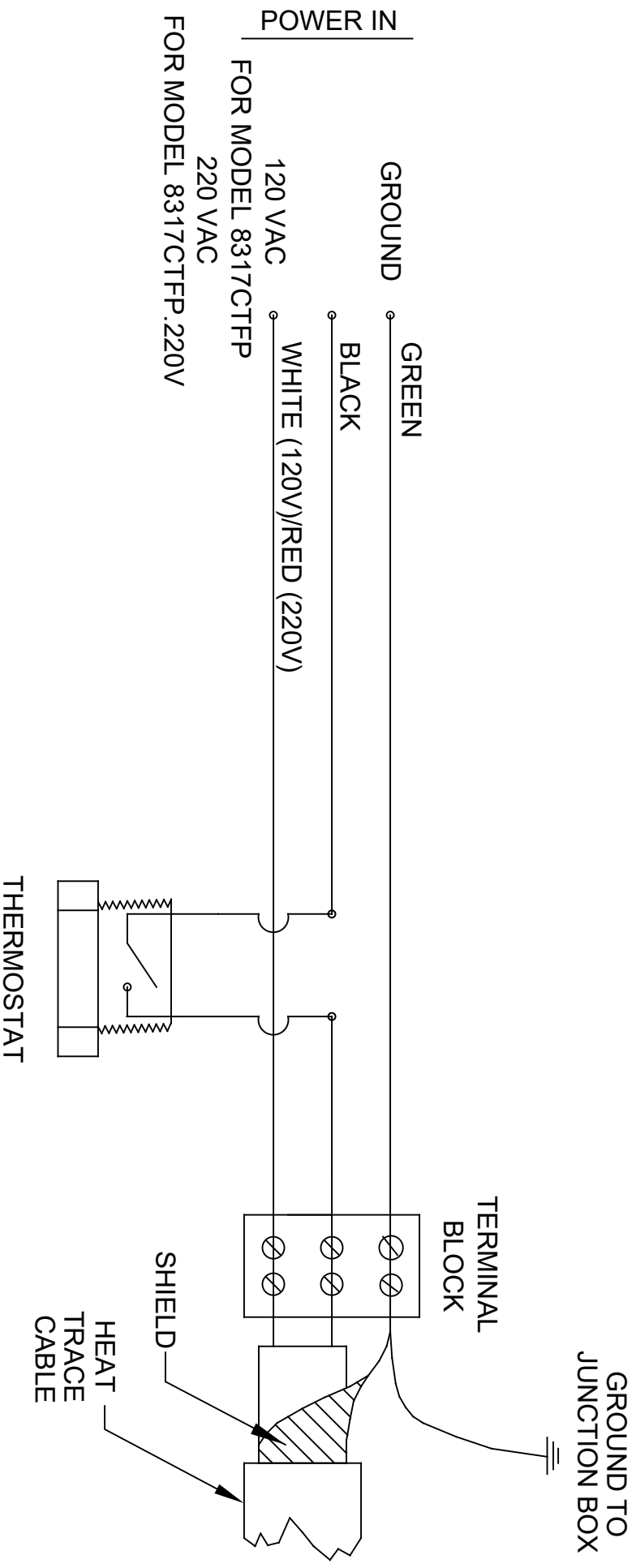
D WRAP OUTER TUBE OVER INNER TUBE ENCAPSULATED VALVE WITH ADHESIVE SEAM ORIENTED PERPENDICULAR TO SEAM OF INNER TUBE. PUSH OUTER TUBE UP AGAINST JACKET SURFACE. WHEN TUBE IS MOUNTED FIRMLY AGAINST JACKET SURFACE, SQUEEZE TUBE AT BARBED CONNECTOR SUCH THAT BARBED NIPPLE PUSHES THROUGH OUTER TUBE WALL. (PUSHING CONNECTOR THROUGH WALL WILL EXTRUDE A CYLINDRICAL PLUG OF TUBING TO BREAK FREE. DISCARD PLUG.) PUSH TUBE DOWN EVEN FURTHER SO THAT HOLE IN TUBE STRETCHES AROUND HEXAGONAL BOSS OF CONNECTOR. SQUEEZE OUTER TUBE TIGHT UNTIL ADHESIVE SEAMS ARE CLOSE ENOUGH TO SEAL. REMOVE PROTECTIVE TAPE AND SEAL SEAMS.

E TO ENSURE PROPER INSULATION OF UNION, THERE MUST BE NO SPACE BETWEEN OUTER TUBE AND JACKET SURFACE (SEE SHEET 2 FOR SURFACE CALLOUT). THEREFORE, SLICE TWO PLACES, TOP SIDE AND BOTTOM SIDE, COMPLETELY THROUGH OUTER TUBE TO A LENGTH EQUAL TO DEPTH OF TRIM SEAL. FORCE SLICED TUBE AROUND TRIM SEAL AND PUSH TUBE TIGHTLY AGAINST JACKET, AS SHOWN. APPLY 2X CABLE-TIE HEAD, AND 2X CABLE-TIE STRAP, TO TUBE, IN APPROXIMATE LOCATIONS SHOWN. TRIM EXCESS STRAPPING.



SP158B VALVE SHOWN CONNECTED TO BOTTOM UNION FOR REFERENCE ONLY. VALVE CAN BE INSTALLED AT TOP OR BOTTOM.

Haws		1455 KLEPPE LANE SPARKS, NEVADA, 89431	
ECON NO. 4832		(775) 359-4712 FAX (775) 389-7424	
REVISED PER BY: FV		E-MAIL: HAWS@HAWS.CO.COM	
DATE: 1/22/12		WEBSITE: WWW.HAWS.CO.COM	
DRAWN: VWC		MODEL(S)	
CHECKED: BLM		8317CTFP (120V) / 8317CTFP.220V	
APPROVED: FV		SCALE: NA	
DATE: 02/08/22		DRAWING TYPE: INSTALLATION	
SIZE: A		SHEET 3 OF 4	
PART NUMBER: 0002081781.D		REVISION: 19	



ELECTRICAL SCHEMATIC

		Haws	
1456 KLEPPE LANE SPARKS, NEVADA, 89431 (775) 359-4712 FAX (775) 359-7424 E-MAIL: HAWS@HAWSCO.COM WEBSITE: WWW.HAWSCO.COM		MODEL(S) 8317CTFP (120V) / 8317CTFP.220V	
ECN NO. REVISED PER BY:	4632 FV	DATE:	02/08/22
ECN. DATE:	5/7/92	CHKD:	FV
RTM:	3/29/05	BLM	
APPROVED:	FV	SCALE:	NA
DRAWN:	RTM	DRAWING TYPE:	INSTALLATION
PART NUMBER	0002081781.D	REVISION	19
SIZE:	A	SHEET:	4 OF 4