



# model 3612FR

ADA Vandal-Resistant Outdoor Freeze-Resistant Bottle Filler and Fountain

## FEATURES & BENEFITS

### ADA COMPLIANCE

ADA-compliant bottle filling station and dual-height high-low drinking fountain required for wheel chair use, and for the standing person.

### FRONT APPROACH

Face all three water stations frontward and the overall footprint needed is only 73 inches wide, saving 33% of the hard scape required for access compliance. This also allows the fountain to be placed with its back to within 8 inches of a wall or a fence.

### BOTTLE FILLER

The ADA-compliant open design bottle filling station offers a 17" high bottle area, and open sides making this push button operated bottle filling station more accessible to users.

### FREEZE-RESISTANT VALVE

Fully-engineered system with the pneumatic-operated, freeze-resistant valve installed below frost line to drain water to non-freezing depth allowing fountain to function year round. Assembly can be lifted to surface and lowered back into casing for easy maintenance without disturbing the fountain.

### BUBBLER HEAD

Polished chrome-plated brass bubbler heads with integral 5/8" dia. threaded shank for vandal resistant strength, and top-down access for nozzle replacement or water line service, with .45 gpm flow rate.

### CONSTRUCTION

Heavy-duty stainless steel with silver powder-coated color finish, and stainless-steel drinking fountain bowls. Modular construction allows for easy replacement or rearrangement of drinking fountain bowls and bottle filler modules.

### DRAIN CLEAN-OUT

Top-down access to the drain allows the fountain to be cleaned without taking the unit apart, good for outdoor settings with drain-clogging sand or leaves.

### VANDAL-RESISTANT

The bubbler heads, push buttons, drain strainers and access plates are locked in place, discouraging unwanted vandal tampering.



## SPECIFICATIONS

Model 3612FR vandal-resistant outdoor, freeze-resistant ADA-compliant pedestal mounted bottle filler and high-low drinking fountain shall include a heavy-duty stainless steel pedestal with matte silver powder-coating, fully engineered pneumatic valve assemblies, polished chrome-plated brass vandal-resistant shielded bubbler heads with integral 5/8" dia. threaded shank and top-down access to renewable nozzles, large-opening bottle filler with quick-fill 1 gpm flow rate, 100% lead-free waterways, polished chrome-plated vandal-resistant waste strainers with top-down clean-out access to the drain, vandal-resistant access plates, integral mounting feet, and 1-1/2" slip waste

**REQUIRES MODEL 6518.2FR and 6518FR PRICED SEPARATELY. (Consult with the local authority having jurisdiction before installation in order to determine if any additional regulations or requirements may apply)**

## APPLICATIONS

The 3612FR offers a solution for the changing needs of outdoor settings as well as outdoor wheelchair access, appealing to all users through accessibility and safety. This product is ideal in areas such as parks, schools, and other outdoor areas where hydration facilities are needed. Model meets all current Federal Regulations for the disabled including those in the Americans with Disabilities Act. Haws manufactures drinking fountains, faucets and electric water coolers to be lead-free by all known definitions including NSF/ANSI/CAN 61-Section 9, NSF/ANSI/ CAN 372, California Proposition 65, and the Federal Safe Drinking Water Act. Product is compliant to California Health and Safety Code 116875 (AB 1953-2006), and NSF/ANSI/CAN 61: Q ≤ 1.

## OPTIONS

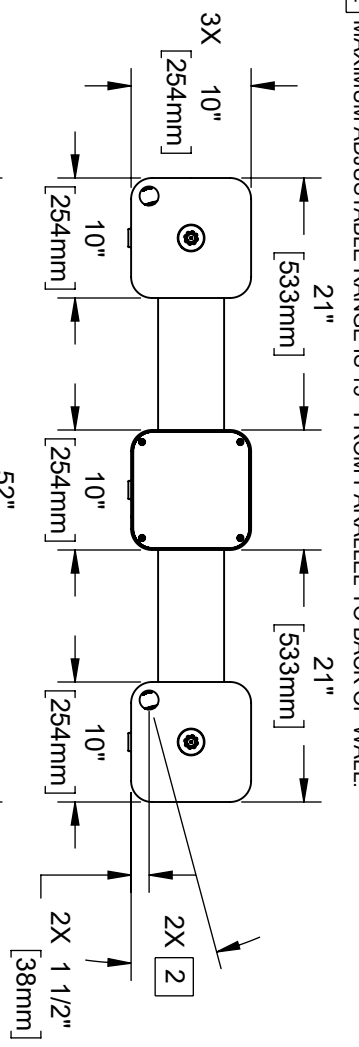
Installation Aid: Model MTG.3600, mounting plate for 3600 series pedestals.

Standard-use Version: Model 3612, ADA stainless steel bottle filler and drinking fountain.

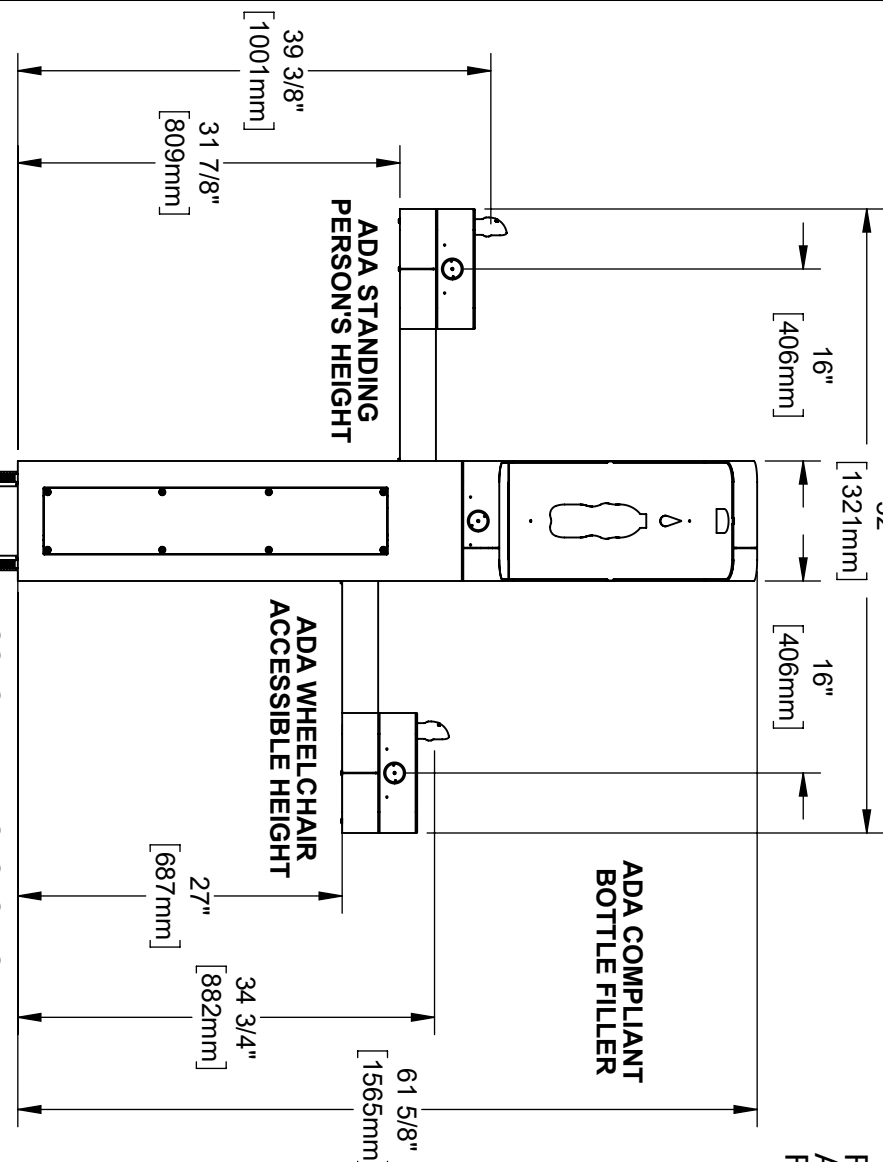
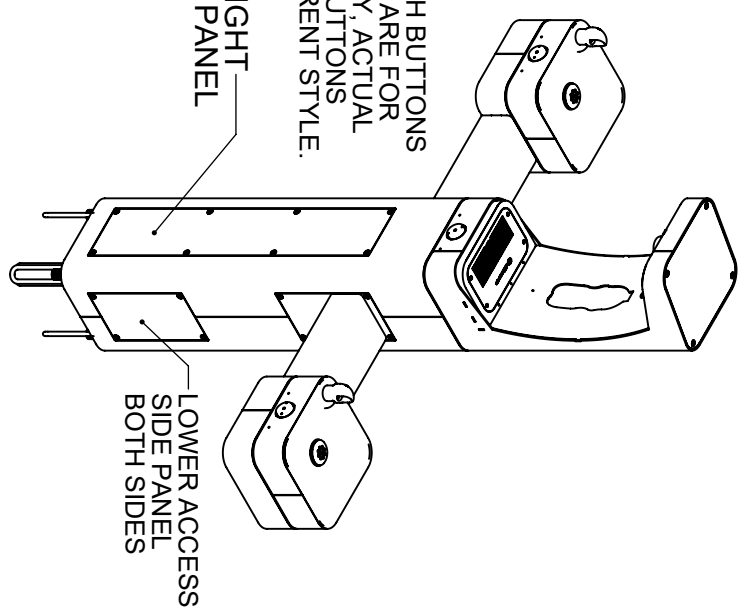
For more information, visit [www.hawesco.com](http://www.hawesco.com) or call (888) 640-4297.



NOTES:  
 1. WHEN INSTALLING THIS UNIT, LOCAL, STATE, OR FEDERAL CODES SHOULD BE ADHERED TO. INSTALL A TRAP IN THE WASTE LINE AND SCREWDRIVER STOP IN THE SUPPLY LINE IF REQUIRED.  
 2. MAXIMUM ADJUSTABLE RANGE IS 15" FROM PARALLEL TO BACK OF WALL.



NOTE: PUSH BUTTONS SHOWN ARE FOR REF. ONLY, ACTUAL PUSH BUTTONS ARE DIFFERENT STYLE.



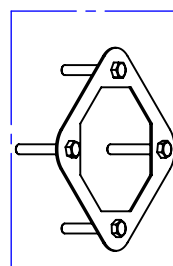
**HAWES MODEL 3612FR IS FULLY COMPLIANT WITH THE FEDERAL 2010 AMERICANS WITH DISABILITIES ACT (ADA) ACCESSIBILITY REQUIREMENTS WHEN INSTALLED AS SHOWN HERE AND WHEN INSTALLED WITH PROPER CLEARANCES AND ACCESS. IT IS THE RESPONSIBILITY OF THE INSTALLER TO ADHERE TO LOCAL, STATE, AND FEDERAL CODES WHEN INSTALLING THIS UNIT. DISTANCE TO SURROUNDING OBJECTS, APPROACH SURFACES, ETC. SHOULD BE CONSIDERED. REFER TO SHEET 8 FOR MORE INFORMATION.**

1455 KLEPPE LANE  
 SPARKS, NEVADA, 89431  
 (775) 359-4712 FAX (775) 359-7424  
 E-MAIL: HAWS@HAWESCO.COM  
 WEBSITE: WWW.HAWESCO.COM

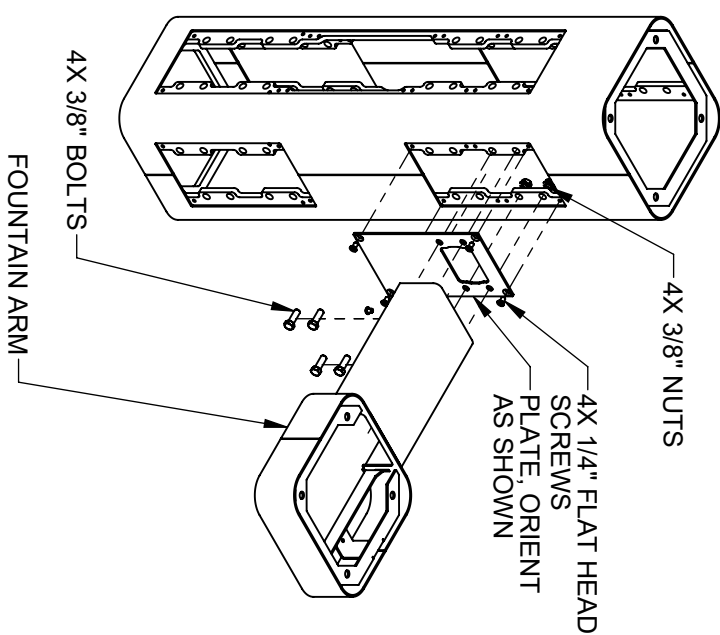
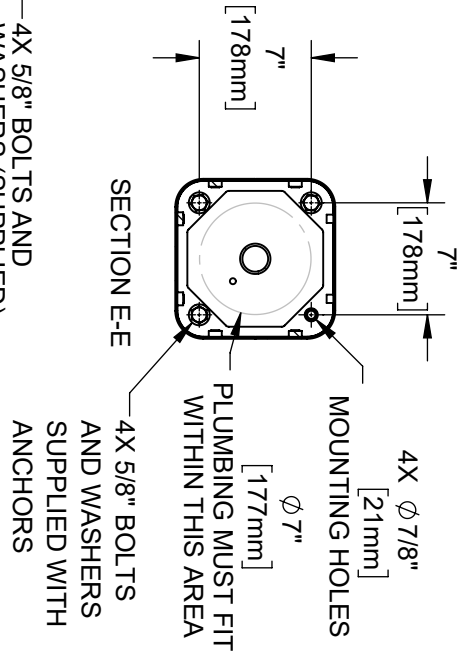
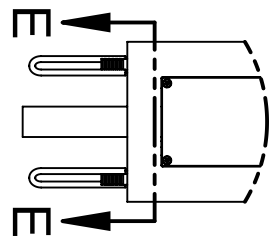
ENCL:	REV/ENCL:	BY:	MODEL(S)
DRAWING:	DATE:	CRCD:	
APPROVED:	DATE:	BLM:	
FW:	07/12/22	SCALE:	1/4" = 1"
		DRAWING TYPE:	INSTALLATION
		SIZE:	A
		SHEET:	1 OF 8
		PART NUMBER:	3612FR
		REVISION:	0580001172 D
			3

**MODEL MTG-3600**

(OPTIONAL)  
TEMPLATE FOR  
SPACING ANCHORS  
DURING CONCRETE  
POUR



**INSTALLATION INSTRUCTIONS**



**STEP 1**  
MOUNT PEDESTAL TO CONCRETE SLAB IN DESIRED ORIENTATION. SLAB TO BE 30" MINIMUM SQUARE AND 6" MINIMUM THICK (BY OTHERS). PLUMBING CAST IN CONCRETE MUST FIT IN 7" DIAMETER AREA CENTERED UNDER PEDESTAL LOCATION. FOR 3612FR MODEL, SEE REQUIRED BURY VALVE (NOT SUPPLIED) INSTALLATION REQUIREMENTS ON SHEET 6.

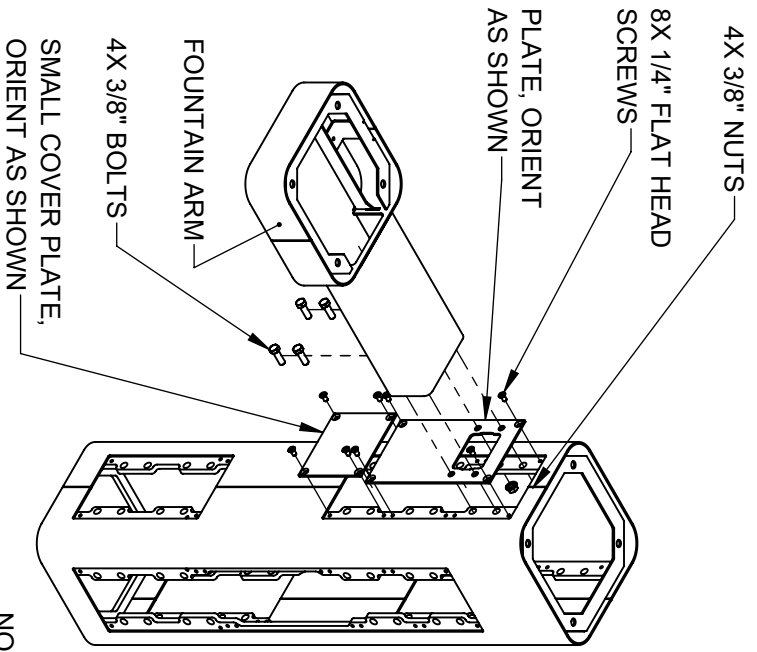
**STEP 2**  
REMOVE BOTTOM COVER PLATES FROM ARMS BY REMOVING 3 1/4" BUTTON HEAD SCREWS. INSTALL ONE FOUNTAIN ARM ON RIGHT SIDE AS SHOWN. USE 1/4" FLAT HEAD SCREWS (SUPPLIED) TO INSTALL PLATE. USE 3/8" BOLTS AND NUTS (SUPPLIED) AND TORQUE TO 18 FT-LBS TO INSTALL ARM.



1455 KLEPPE LANE  
SPARKS, NEVADA, 89431  
(775) 359-4712 FAX (775) 359-7424  
E-MAIL: HAWS@HAWS.CO.COM  
WEBSITE: WWW.HAWS.CO.COM

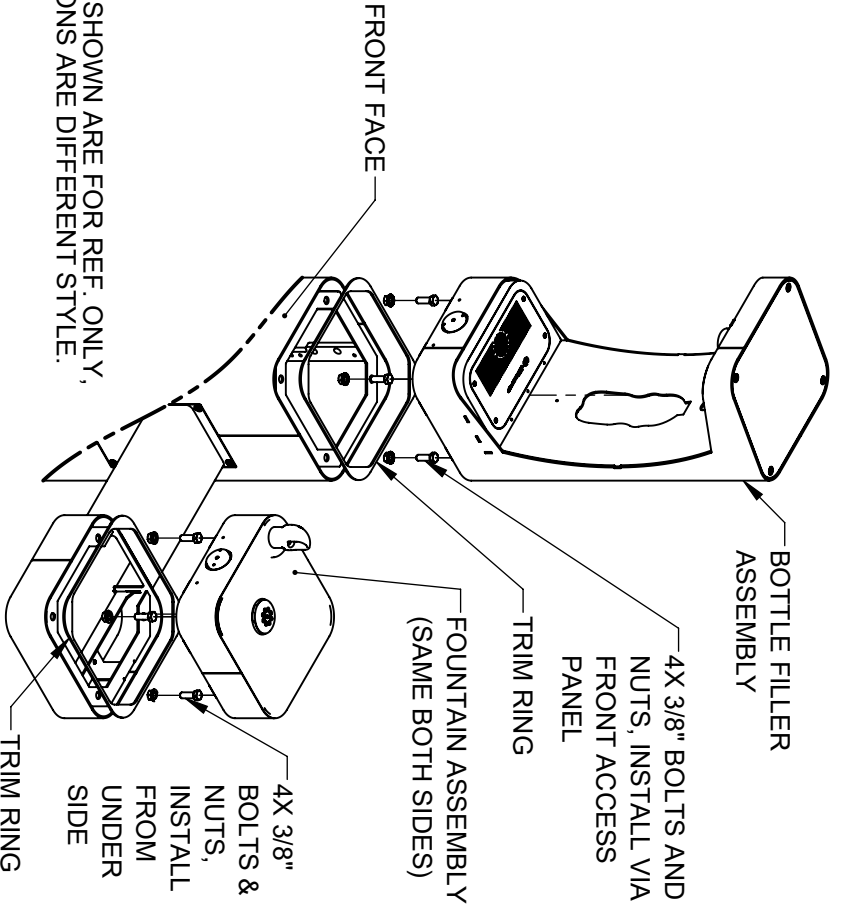
ECN: 5652	REV/ECN: BY: JLU	MODEL(S):	3612FR
DRAWN: BMD	DATE: 08/22	CRKD: BMD	
APPROVED: FV	DATE: 07/12/22	SCALE: 1/24	DRAWING TYPE: INSTALLATION
		SIZE: A	SHEET 2 OF 8
			REVISION: 3
			PART NUMBER: 0580001172.D

# INSTALLATION INSTRUCTIONS

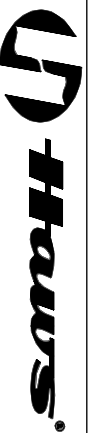


**STEP 3**  
INSTALL REMAINING ARM ON LEFT SIDE AS SHOWN. USE 1/4" FLAT HEAD SCREWS (SUPPLIED) TO INSTALL PLATES. USE 3/8" BOLTS AND NUTS (SUPPLIED) AND TORQUE TO 18 FT-LBS TO INSTALL ARM.

NOTE: PUSH BUTTONS SHOWN ARE FOR REF. ONLY, ACTUAL PUSH BUTTONS ARE DIFFERENT STYLE.



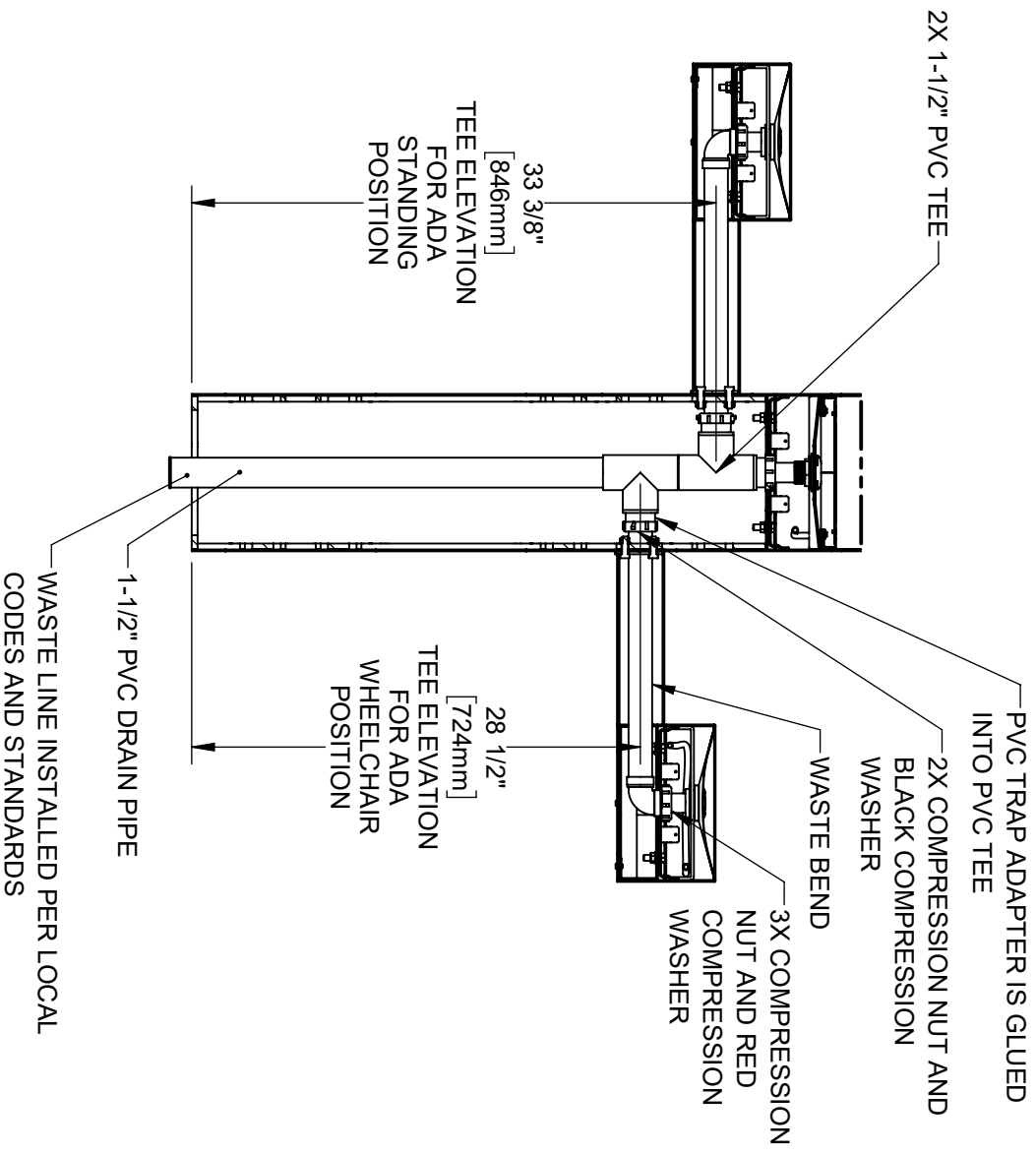
**STEP 4**  
PLACE SQUARE TRIM RING ON BOTTOM OF BOTTLE FILLER AND PLACE BOTTLE FILLER ON TOP OF PEDESTAL, FACING THE FRONT. USE 3/8" BOLTS AND NUTS VIA THE FRONT ACCESS PANEL TO SECURE BOTTLE FILLER TO PEDESTAL. PLACE TRIM RING AND INSTALL FOUNTAINS ON ARMS AS SHOWN. CAREFULLY CENTER BOTTLE FILLER, FOUNTAIN, AND TRIM RINGS, THEN TORQUE BOLTS/NUTS TO 18 FT-LBS



1455 KLEPPE LANE  
SPARKS, NEVADA, 89431  
(775) 359-4712 FAX (775) 359-7424  
E-MAIL: HAWS@HAWS.CO.COM  
WEBSITE: WWW.HAWS.CO.COM

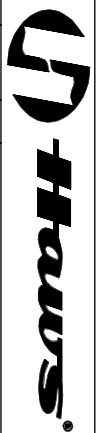
E/CN:	REV/E/CN:	BY:	MODEL(S)	SCALE:	1/24	DRAWING TYPE:	INSTALLATION	SIZE:	A	SHEET:	3 OF 8
5652	5922	JUL									
DRAWN:	DATE:	CHK'D:									
APPROVED:	DATE:	BY:									
FV	07/12/22	BM									
PART NUMBER			3612FR								
REVISION			0580001172.D								
			3								

# INSTALLATION INSTRUCTIONS



**STEP 5**

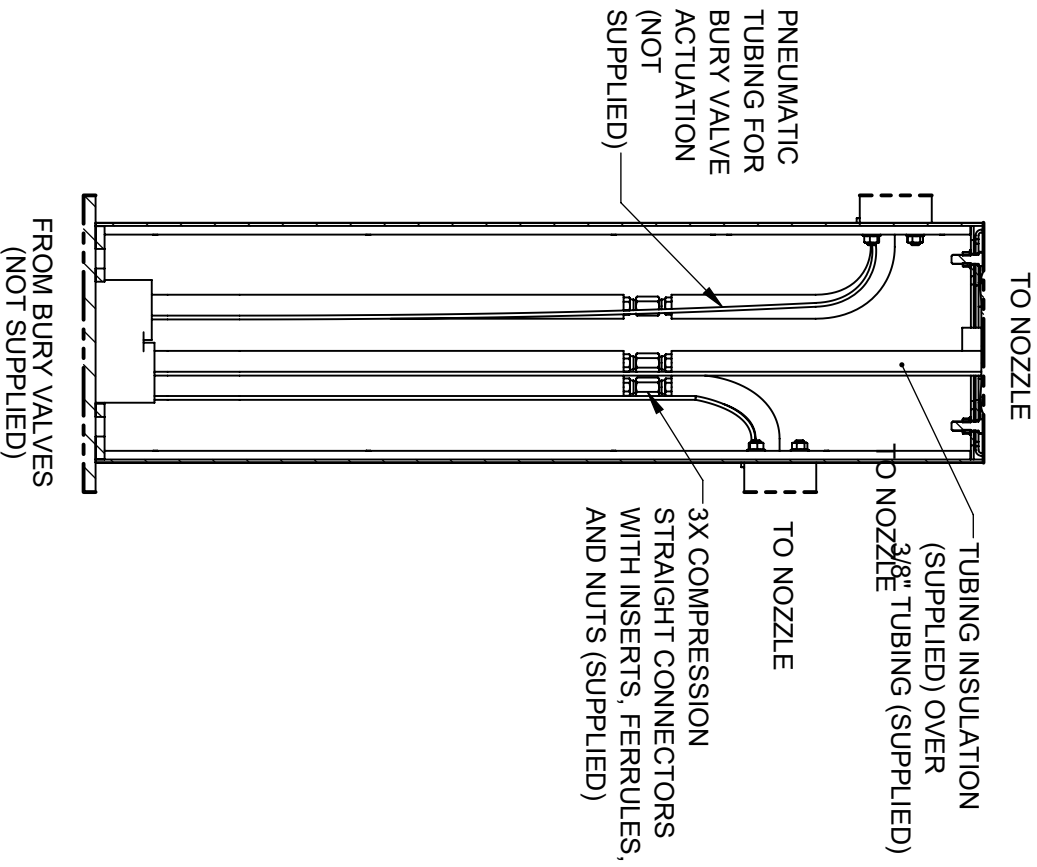
INSTALL SUPPLIED DRAIN COMPONENTS AS SHOWN. RED COMPRESSION WASHERS ADAPT FROM 1-1/4" TO 1-1/2" AT EACH DRAIN TAIL PIECE. BLACK COMPRESSION WASHERS ARE USED IN TRAP ADAPTERS AT TEES. CUT A SHORT SECTION (APPROX. 2-1/4") OF THE DRAIN PIPE TO CONNECT THE TWO TEES. USE APPROPRIATE PVC CEMENT TO MAKE SOLVENT CEMENT CONNECTIONS. TRIM WASTE BEND AND/OR TAIL PIECE LENGTH IF REQUIRED. NOTE THAT EXTRA PARTS MAY BE INCLUDED TO FACILITATE OTHER CONFIGURATIONS OF THIS FOUNTAIN.



1455 KLEPPE LANE  
SPARKS, NEVADA 89431  
(775) 359-4712 FAX (775) 359-7424  
E-MAIL: HAWS@HAWSCCO.COM  
WEBSITE: WWW.HAWSCCO.COM

ENR: 5652	REV: EON	BY: JU	MODEL(S)	3612FR	PART NUMBER
DRAWN: BLM	DATE: 5/9/22	CHKD: BLM			0580001172D
APPROVED: FV	DATE: 07/12/22	SCALE: 1/2"	DRAWING TYPE: INSTALLATION	SIZE: A	SHEET 4 OF 8
					REVISION: 3

# INSTALLATION INSTRUCTIONS

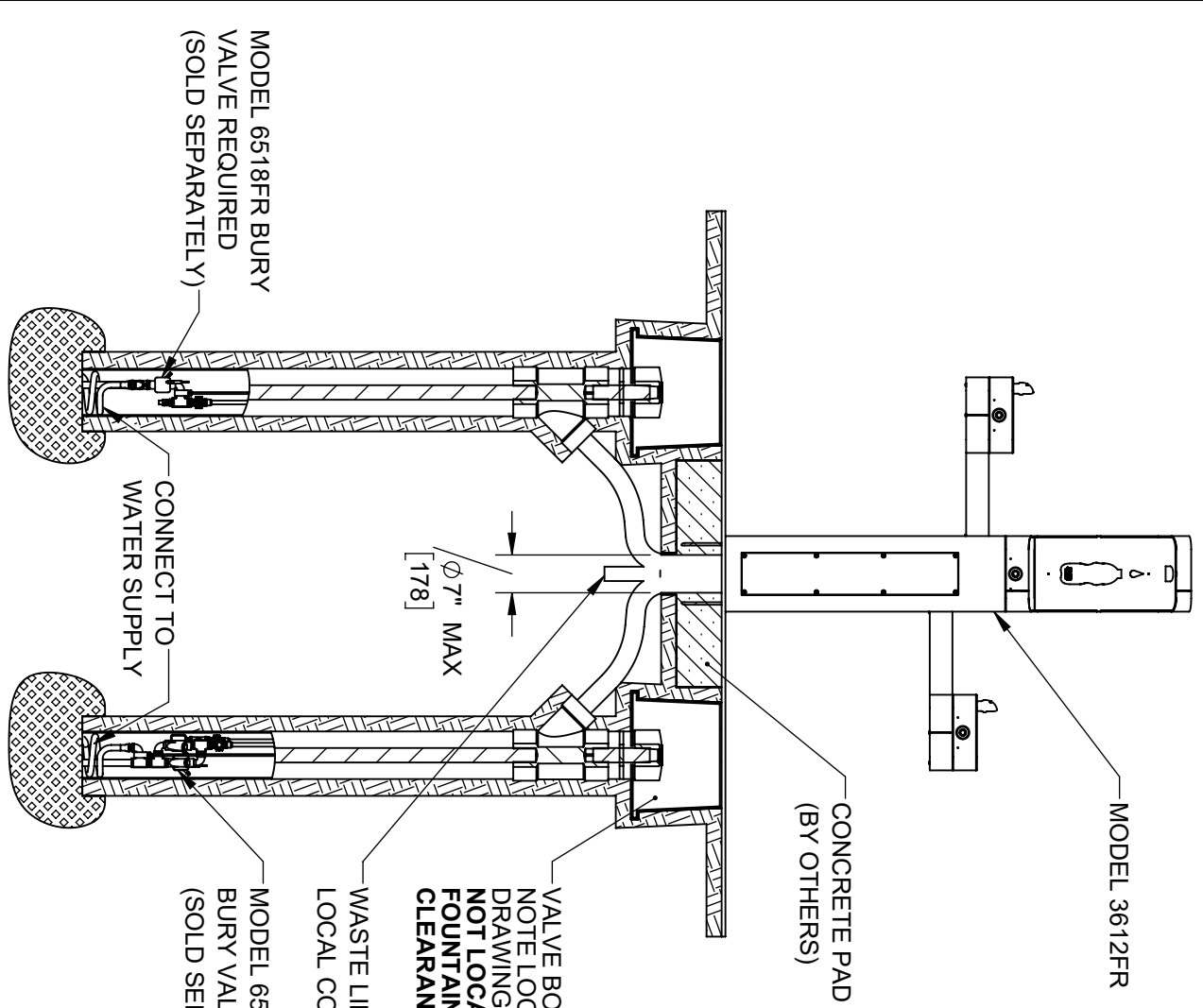


## 3612FR SUPPLY PLUMBING\*

\* SEE NEXT SHEET OF THIS DRAWING FOR MORE INFORMATION ON INSTALLING BURY VALVES WITH THIS MODEL.

**STEP 6**  
 COMPLETE WATER SUPPLY PLUMBING AS SHOWN. OPEN SUPPLY VALVE(S) AND TEST. REPLACE ARM BOTTOM PLATES AND PEDESTAL ACCESS PLATES. BURY VALVES (NOT SUPPLIED) ARE REQUIRED FOR 3612FR INSTALLATION. REFER TO BURY VALVE OPERATION AND MAINTENANCE MANUAL FOR ADDITIONAL INFORMATION.

		1455 KLEPPE LANE SPARKS, NEVADA 89431 (775) 359-4712 FAX (775) 359-7424 E-MAIL: HAWS@HAWSCO.COM WEBSITE: WWW.HAWSCO.COM	
		EN: 5652 REV: 07/12/22 DATE: 07/12/22 BY: JLD CHKD: BLM DRAWN: JLD TUBE: BLM APPRVD: FV	MODEL(S) 3612FR
PART NUMBER 0580001172D		REVISION 3	



MODEL 3612FR

CONCRETE PAD  
(BY OTHERS)

Ø 7" MAX  
[178]

MODEL 6518FR BURY  
VALVE REQUIRED  
(SOLD SEPARATELY)

CONNECT TO  
WATER SUPPLY

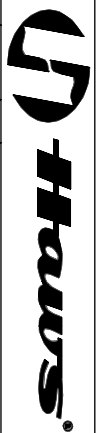
MODEL 6518: 2FR DUAL  
BURY VALVE REQUIRED  
(SOLD SEPARATELY)

VALVE BOXES (BY OTHERS)  
NOTE LOCATION SHOWN FOR  
DRAWING CONVENIENCE, DO  
NOT LOCATE BOXES UNDER  
FOUNTAINS OR WITHIN ADA  
CLEARANCE REQUIREMENTS.

WASTE LINE INSTALLED PER  
LOCAL CODES / STANDARDS

INSTALL BURY VALVES IN ACCORDANCE  
WITH MANUFACTURER'S INSTRUCTIONS.  
INSTALLATION MUST COMPLY WITH  
LOCAL CODES / STANDARDS, INCLUDING  
ADA CODES IF APPLICABLE.

**3612FR GENERAL BURY  
VALVE LAYOUT  
(FOR REFERENCE ONLY)**



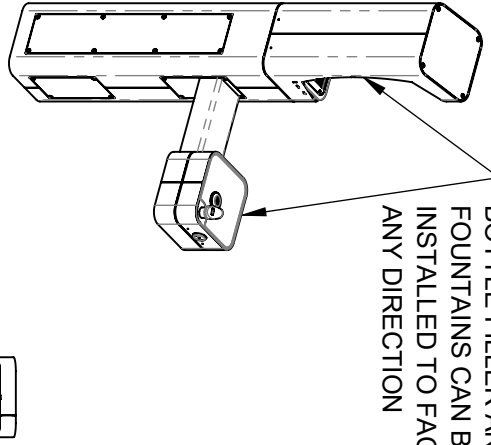
1455 KLEPPE LANE  
SPARKS, NEVADA, 89431  
(775) 359-4712 FAX (775) 359-7424  
E-MAIL: HAWS@HAWSCCO.COM  
WEBSITE: WWW.HAWSCCO.COM

E/CN:	REV. E/CN:	BY:	MODEL(S)	PART NUMBER
5652	5822	JUL	3612FR	0580001172D
DRAWN BY:	DATE:	CHK'D BY:		REVISION
APPROVED BY:	DATE:			3
SCALE: 1/2" = 1'		DRAWING TYPE: INSTALLATION		SHEET 6 OF 8

### NOTES ON OPTIONAL CONFIGURATIONS

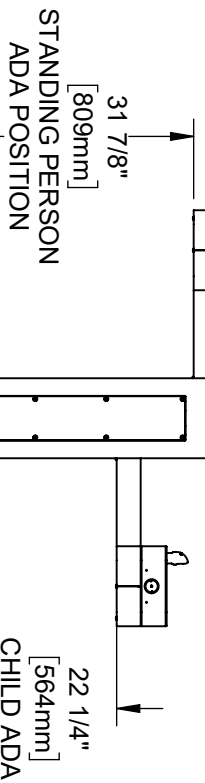
HAWES 3600FR SERIES OUTDOOR FOUNTAINS ARE MODULAR AND CAN BE ASSEMBLED AND CONFIGURED MANY DIFFERENT WAYS. DISPLAYED HERE ARE A FEW EXAMPLES. CONFIGURATIONS OTHER THAN THAT SHOWN IN THE INSTALLATION INSTRUCTIONS FOR THE 3612FR MAY AFFECT COMPLIANCE WITH ADA REGULATIONS. IT IS THE RESPONSIBILITY OF THE INSTALLER TO UNDERSTAND LOCAL, STATE, AND FEDERAL REGULATIONS AS APPLICABLE IF INSTALLING THIS FOUNTAIN IN CONFIGURATIONS OTHER THAN THAT INDICATED ON SHEET 1 (PAGE 6 OF 13).

BOTTLE FILLER AND FOUNTAINS CAN BE INSTALLED TO FACE ANY DIRECTION

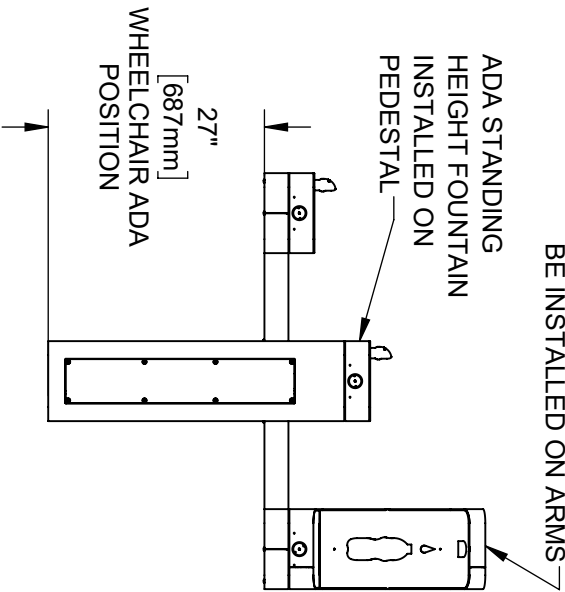


ADA ARM HEIGHT POSITION OPTIONS				
	LEFT SIDE*	RIGHT SIDE*	ARM HEIGHT (LOWER EDGE)	BUBBLER NOZZLE HEIGHT
STANDING ADA	YES (STD)	NO	31-7/8 [809 mm]	39-3/8 [999 mm]**
WHEELCHAIR ADA	YES	Yes (STD)	27 [687 mm]	34-5/8 [878 mm]
CHILD ADA	YES	YES	22-1/4 [566 mm]	29-7/8 [757 mm]

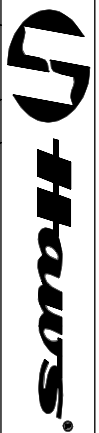
\* RIGHT AND LEFT CAN BE REVERSED IF PEDESTAL IS ROTATED 180°.  
 \*\*NOZZLE HEIGHT IS 41-1/2" WHEN FOUNTAIN IS INSTALLED ON TOP OF PEDESTAL.



BOTTLE FILLER CAN BE INSTALLED ON ARMS



NOTE: PUSH BUTTONS SHOWN ARE FOR REF. ONLY, ACTUAL PUSH BUTTONS ARE DIFFERENT STYLE.



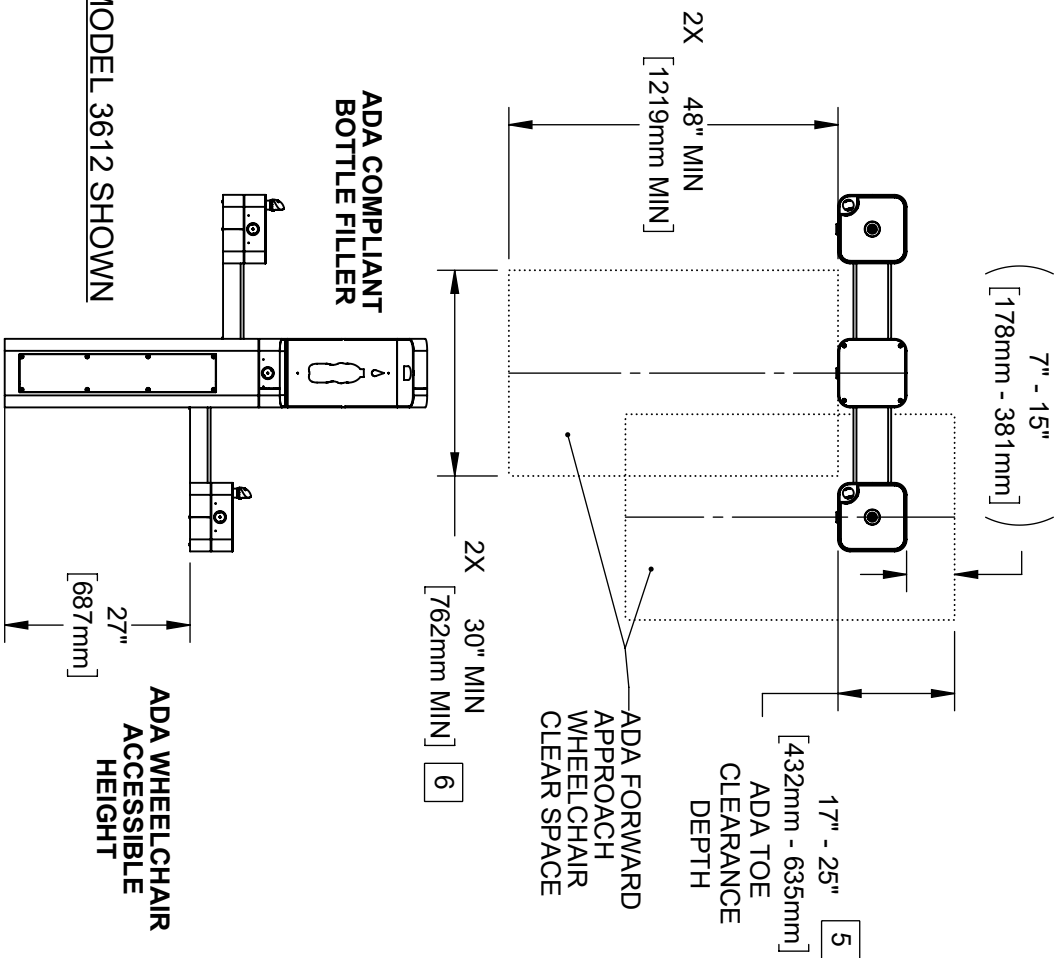
1455 KLEPPE LANE  
 SPARKS, NEVADA 89431  
 (775) 359-4712 FAX (775) 359-7424  
 E-MAIL: HAWES@HAWESCO.COM  
 WEBSITE: WWW.HAWESCO.COM

E/CN: 5652	REV: E/CN: 5652	BY: JLU	MODEL(S): 3612FR
DRAWN: BLD	DATE: 08/22	CHKD: BLM	
APPROVED: FV	DATE: 07/12/22	SCALE: 1/2"	DRAWING TYPE: INSTALLATION
		SIZE: A	SHEET 7 OF 8
			REVISION: 3
			PART NUMBER: 0580001172.D



**NOTES:**

3. CLEAR FLOOR SPACES APPLY FOR ALL MODELS WITH A DRINKING FOUNTAIN OR BOTTLE FILLER INSTALLED AT ADA WHEELCHAIR ACCESSIBLE HEIGHT AND PEDESTAL MOUNTED BOTTLE FILLERS.
4. ORIENTATION OF CLEAR FLOOR SPACE IS DEPENDENT ON THE FOUNTAIN OR BOTTLE FILLER ORIENTATION.
5. SOME CALIFORNIA JURISDICTIONS MAY REQUIRE 18" MIN.
6. SOME CALIFORNIA JURISDICTIONS MAY REQUIRE 32" MIN.
7. REFER TO ADA STANDARDS AND/OR YOUR LOCAL BUILDING CODE FOR CLEAR SPACE GUIDELINES FOR PARALLEL APPROACH.



**MODEL 36112 SHOWN**

**ADA WHEELCHAIR ACCESSIBLE HEIGHT**



**MODEL 36112 ALTERNATE CONFIGURATION SHOWN**

**ADA WHEELCHAIR ACCESSIBLE HEIGHT**

THESE HAWS MODELS ARE FULLY COMPLIANT WITH THE FEDERAL 2010 AMERICANS WITH DISABILITIES ACT (ADA) ACCESSIBILITY REQUIREMENTS WHEN INSTALLED AS SHOWN HERE AND WHEN INSTALLED WITH PROPER CLEARANCES AND ACCESS. IT IS THE RESPONSIBILITY OF THE INSTALLER TO ADHERE TO LOCAL, STATE, AND FEDERAL CODES WHEN INSTALLING THIS UNIT. DISTANCE TO SURROUNDING OBJECTS, APPROACH SURFACES, ETC. SHOULD BE CONSIDERED.



1455 KLEPPE LANE  
SPARKS, NEVADA, 89431  
(775) 359-4712 FAX (775) 359-7424  
E-MAIL: HAWS@HAWS.CO.COM  
WEBSITE: WWW.HAWS.CO.COM

E.C.N.	REV. E.C.N.	BY:	MODEL(S)
5652	5652	JUL	36112FR
DRAWING DATE	DATE	CHK'D.	
07/12/22	07/12/22	BM	
APPROVED:	DATE	SCALE	DRAWING TYPE
F.V.	07/12/22	1/28	INSTALLATION
		SIZE	SHEET 8 OF 8
			3