

## FEATURES & BENEFITS

### ADA COMPLIANCE

ADA-compliant bottle filling station for wheel chair use.

### BOTTLE FILLER

The ADA-compliant open design bottle filling station offers a 17" high bottle area, and open sides making this push button operated bottle filling station more accessible to users.

### BOTTLE FILLER VALVE

The push-button activated valve offers the only all stainless steel valve body that is machined out of solid bar stock, is fully serviceable through the front of the push button assembly offering access to the water control cartridge and integral water supply strainer, and with front access to the water stream height adjustment for easy maintenance without having to remove the valve. Operating pressure range of 30 to 90 psi (2.1 to 6.2 bar).

### CONSTRUCTION

Heavy-duty stainless steel with silver powder-coated finish. Modular construction allows for easy replacement or rearrangement of drinking fountain bowls and bottle filler modules.

### VANDAL RESISTANT

The push button, drain strainer and access plates are locked in place, discouraging unwanted vandal tampering.

## OPTIONS

- Pet Fountain: Model 3670, dog bowl attachment for 3600 series pedestal fountains.
- Hose Bib: Model 3660, lockable hose bib attachment for 3600 series pedestal fountains.
- Fountain Arm: Model 3671 pedestal arm for adding the option of a bottle filler or fountain attachment.
- Fountain Attachment: Model 3680, drinking fountain bowl attachment.
- Fountain Attachment: Model 3690, bottle filler attachment.
- Installation Aid: Model MTG.3600, mounting plate for 3600 series pedestals.

For more information, visit [www.hawsc.com](http://www.hawsc.com) or call (888) 640-4297.



## SPECIFICATIONS

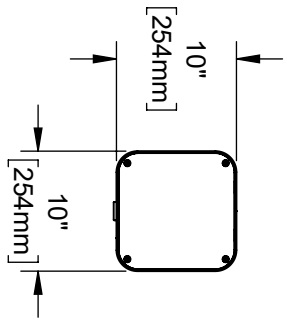
Model 3610 ADA vandal-resistant outdoor, pedestal mounted bottle filler shall include a heavy-duty stainless steel pedestal with matte silver powder-coating, vandal-resistant push-button operated stainless steel valve with front-accessible cartridge and flow adjustment, large-opening bottle filler with quick-fill 1 gpm flow rate, 100% lead-free waterways, vandal-resistant access plates, integral mounting feet, and 1-1/2" slip waste.

## APPLICATIONS

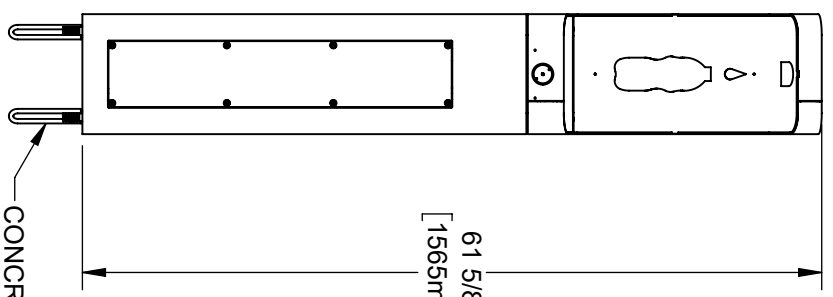
The 3610 offers a solution for the changing needs of outdoor settings as well as outdoor wheelchair access, appealing to all users through accessibility and safety. This outdoor bottle filler is ideal in areas such as parks, schools, and other outdoor areas where hydration facilities are needed. Model meets all current Federal Regulations for the disabled including those in the Americans with Disabilities Act, and complies with Prop 65. Haws manufactures drinking fountains, faucets and electric water coolers to be lead-free by all known definitions including NSF/ANSI/CAN 61-Section 9, NSF/ANSI/ CAN 372, California Proposition 65, and the Federal Safe Drinking Water Act. Product is compliant to California Health and Safety Code 116875 (AB 1953-2006), and 116876 (AB 100) "NSF/ANSI/CAN 61: Q ≤ 1".



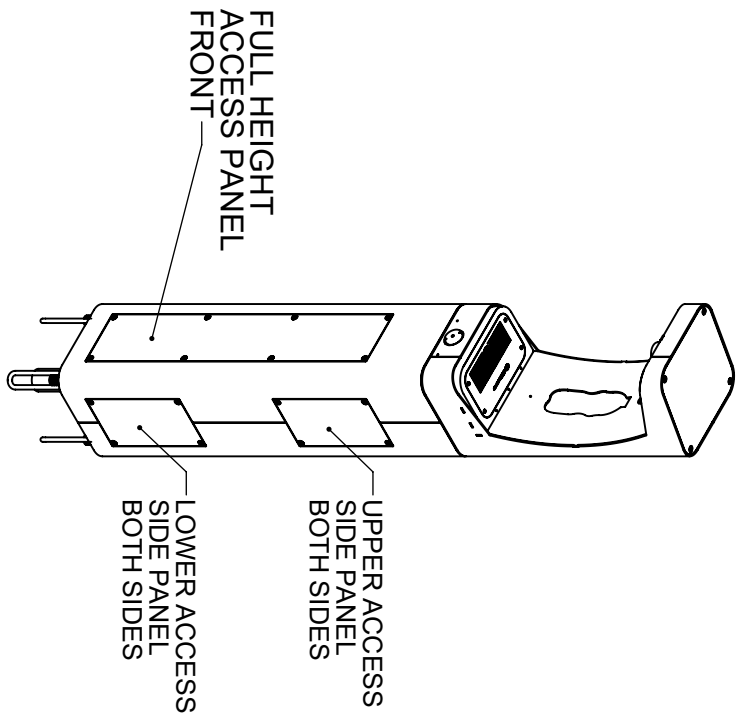
NOTES:  
 1. WHEN INSTALLING THIS UNIT, LOCAL, STATE, OR FEDERAL CODES SHOULD BE ADHERED TO. INSTALL A TRAP IN THE WASTE LINE AND SCREWDRIVER STOP IN THE SUPPLY LINE IF REQUIRED.



**ADA COMPLIANT BOTTLE FILLER**



CONCRETE ANCHORS INCLUDED. RE-USABLE TEMPLATE MODEL MTG.3600 AVAILABLE, SOLD SEPARATELY.



**HAWS MODEL 3610/3610F IS FULLY COMPLIANT WITH THE FEDERAL 2010 AMERICANS WITH DISABILITIES ACT (ADA) ACCESSIBILITY REQUIREMENTS WHEN INSTALLED AS SHOWN HERE AND WHEN INSTALLED WITH PROPER CLEARANCES AND ACCESS. IT IS THE RESPONSIBILITY OF THE INSTALLER TO ADHERE TO LOCAL, STATE, AND FEDERAL CODES WHEN INSTALLING THIS UNIT. DISTANCE TO SURROUNDING OBJECTS, APPROACH SURFACES, ETC. SHOULD BE CONSIDERED. REFER TO SHEET 8 FOR MORE INFORMATION.**

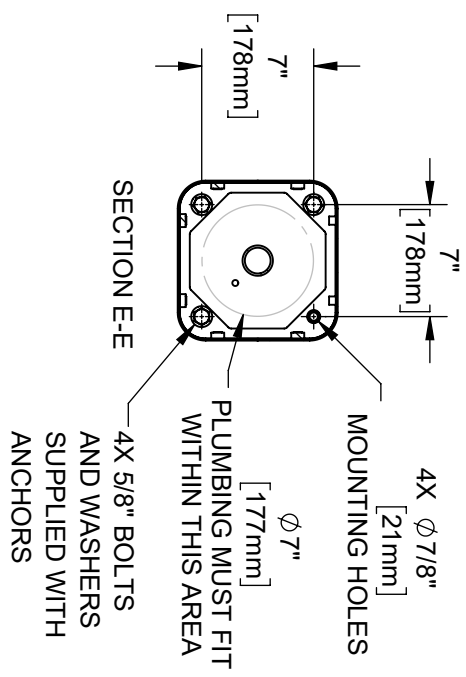
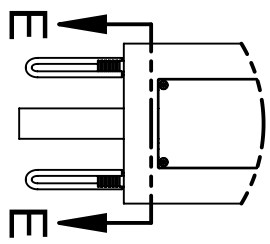
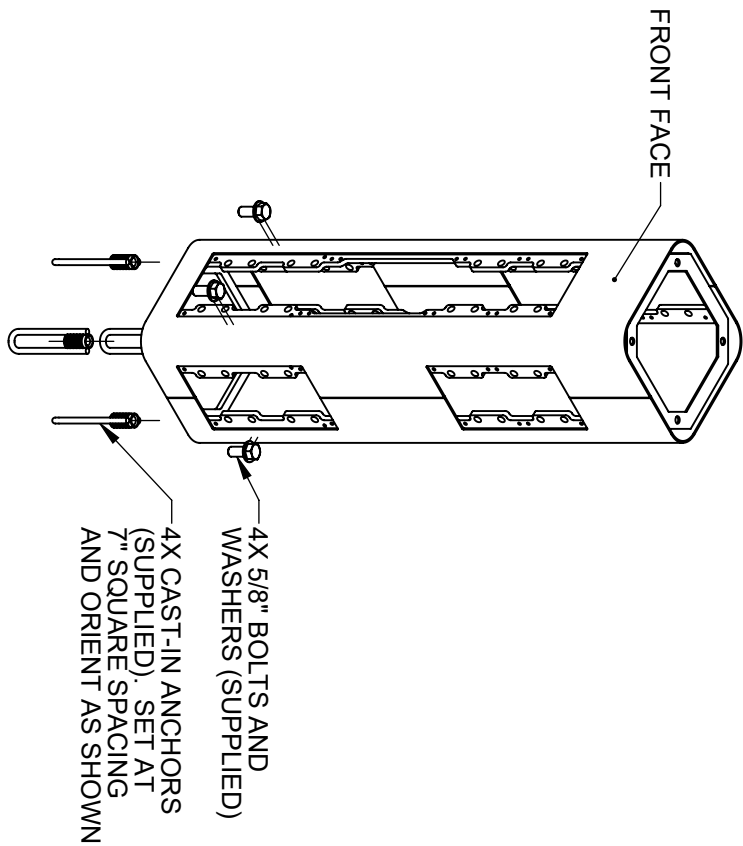
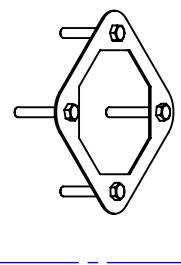


1455 KLEPPE LANE  
 SPARKS, NEVADA 89431  
 (775) 359-4712 FAX (775) 359-7424  
 E-MAIL: HAWS@HAWSCCO.COM  
 WEBSITE: WWW.HAWSCCO.COM

ENCL. 5586	REV. ECL. 6030	BY: F.V.	MODEL(S) 3610 & 3610F	1455 KLEPPE LANE SPARKS, NEVADA 89431 (775) 359-4712 FAX (775) 359-7424 E-MAIL: HAWS@HAWSCCO.COM WEBSITE: WWW.HAWSCCO.COM
DRAWN BY: J.L.	DATE: 07/22/24	CHK'D BY: J.L.	SCALE: 1/2" = 1'-0"	1455 KLEPPE LANE SPARKS, NEVADA 89431 (775) 359-4712 FAX (775) 359-7424 E-MAIL: HAWS@HAWSCCO.COM WEBSITE: WWW.HAWSCCO.COM
APP'D BY: F.V.	DATE: 07/22/24	SCALE: 1/2" = 1'-0"	DRAWING TYPE: INSTALLATION	SIZE: A
PART NUMBER 0510001188.D			REVISION 4	SHEET 1 OF 8

# INSTALLATION INSTRUCTIONS

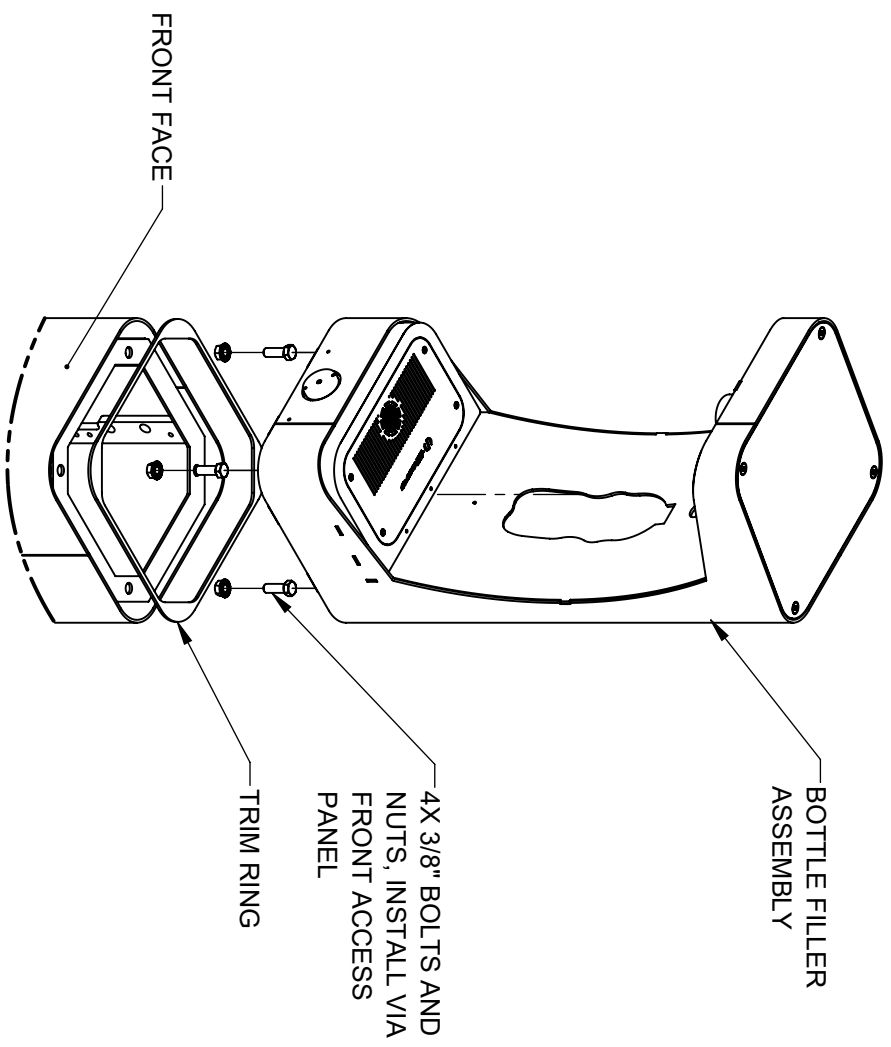
**MODEL M7G.3600**  
 (OPTIONAL)  
 TEMPLATE FOR  
 SPACING ANCHORS  
 DURING CONCRETE  
 POUR



**STEP 1**  
 MOUNT PEDESTAL TO CONCRETE SLAB IN DESIRED ORIENTATION. SLAB TO BE 30" MINIMUM SQUARE AND 6" MINIMUM THICK (BY OTHERS). PLUMBING CAST IN CONCRETE MUST FIT IN 7" DIAMETER AREA CENTERED UNDER PEDESTAL LOCATION.


		1455 KLEPPE LANE SPARKS, NEVADA, 89431 (775) 359-4712 FAX (775) 359-7424 E-MAIL: HAWS@HAWSCCO.COM WEBSITE: WWW.HAWSCCO.COM	
ENR: 5586	REV. ENR. BY: F.V.	MODEL(S)	3610 & 3610F
DRAWN BY: J.L.	DATE: 06/20		
APPROVED BY: J.L.	DATE: 07/02/24	SCALE: 1/24	DRAWING TYPE: INSTALLATION
PART NUMBER: 0510001188.D		REVISION: 4	SHEET 2 OF 8

# INSTALLATION INSTRUCTIONS

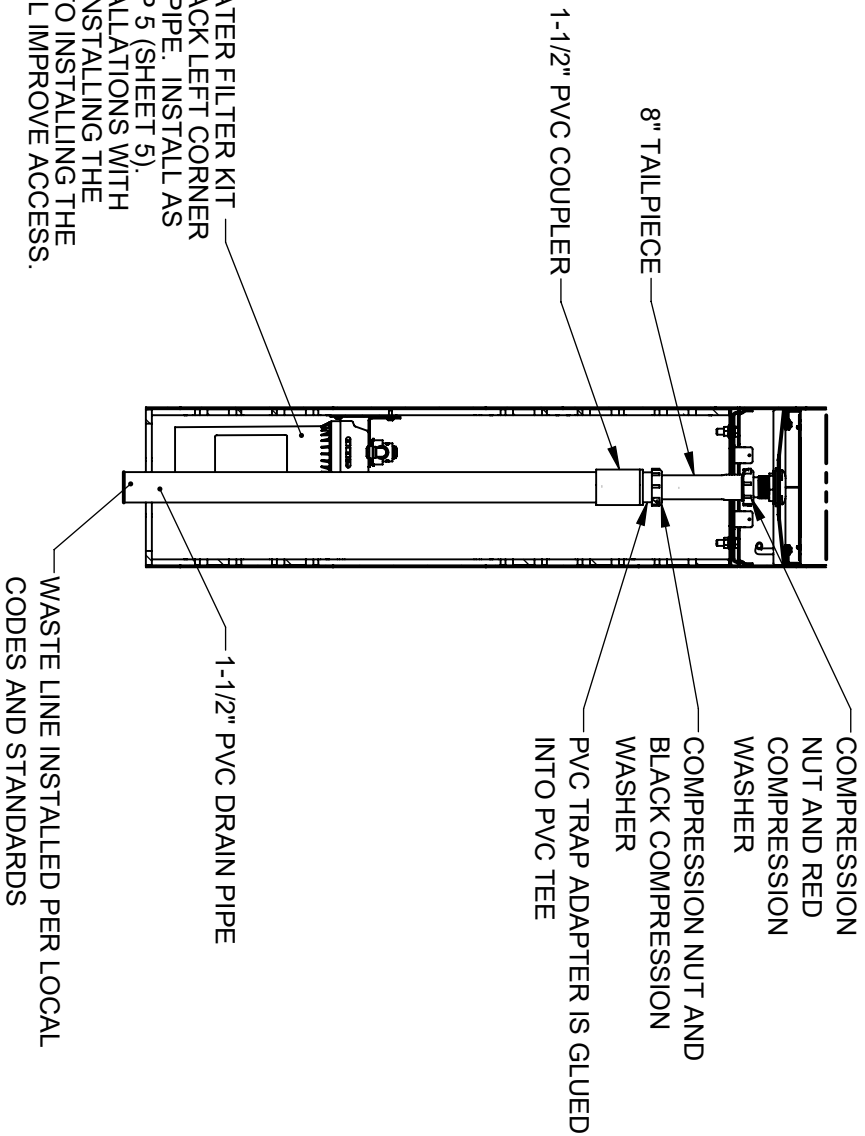


## STEP 2

PLACE SQUARE TRIM RING ON BOTTOM OF BOTTLE FILLER AND PLACE BOTTLE FILLER ON TOP OF PEDESTAL, FACING THE FRONT. USE 3/8" BOLTS AND NUTS VIA THE FRONT ACCESS PANEL TO SECURE BOTTLE FILLER TO PEDESTAL. CAREFULLY CENTER TRIM RING AND BOTTLE FILLER AND TORQUE BOLTS/NUTS TO 18 FT-LBS.

		1455 KLEPPE LANE SPARKS, NEVADA 89431 (775) 359-4712 FAX (775) 359-7424 E-MAIL: HAWS@HAWSCCO.COM WEBSITE: WWW.HAWSCCO.COM	
E.C.N.	REV. E.C.N.	BY:	MODEL(S)
5586	6029	F.V.	3610 & 3610F
DRAWN	DATE	CHK'D	
BY: JL	07/22	JL	
APPROVED	DATE	SCALE	DRAWING TYPE
F.V.	07/02/24	1:24	INSTALLATION
		SIZE	SHEET
		A	3 OF 8
		PART NUMBER	
		0510001188.D	
		REVISION	
		4	

# INSTALLATION INSTRUCTIONS



**MODEL 3610F (WITH FILTER) SHOWN**

### STEP 3

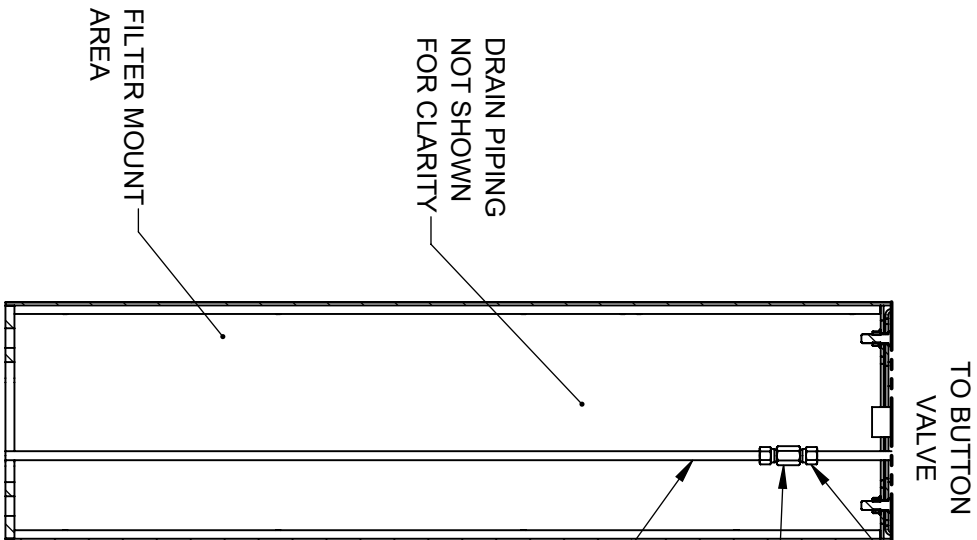
INSTALL SUPPLIED DRAIN COMPONENTS AS SHOWN. RED COMPRESSION WASHER ADAPTS FROM 1-1/4" TO 1-1/2" AT DRAIN TAIL PIECE. BLACK COMPRESSION WASHER IS USED IN TRAP ADAPTER AT COUPLER. USE APPROPRIATE PVC CEMENT TO MAKE SOLVENT CEMENT CONNECTIONS. TRIM TAIL PIECE LENGTH IF REQUIRED. NOTE THAT EXTRA PARTS MAY BE INCLUDED TO FACILITATE OTHER CONFIGURATIONS OF THIS FOUNTAIN.



1455 KLEPPE LANE  
SPARKS, NEVADA 89431  
(775) 359-4712 FAX (775) 359-7424  
E-MAIL: HAWS@HAWSCCO.COM  
WEBSITE: WWW.HAWSCCO.COM

ENCL. 5886	REV. ENCL. 6030	BY: F.V.	MODEL(S) 3610 & 3610F	1455 KLEPPE LANE SPARKS, NEVADA 89431 (775) 359-4712 FAX (775) 359-7424 E-MAIL: HAWS@HAWSCCO.COM WEBSITE: WWW.HAWSCCO.COM	PART NUMBER 0510001188.D
DRAWN BY: J.L.	DATE: 07/02/24	CHK'D BY: J.L.	SCALE: 1/2" = 1'-0"	DRAWING TYPE: INSTALLATION	REVISION 4
APPROVED BY: F.V.	DATE: 07/02/24	SCALE: 1/2" = 1'-0"	DRAWING TYPE: INSTALLATION	SIZE: A	SHEET 4 OF 8

## INSTALLATION INSTRUCTIONS



**STEP 4**  
 COMPLETE WATER SUPPLY PLUMBING AS SHOWN.  
 OPEN SUPPLY VALVE AND TEST. REPLACE  
 PEDESTAL ACCESS PLATES.

### 3610 SUPPLY PLUMBING

TO BUTTON VALVE

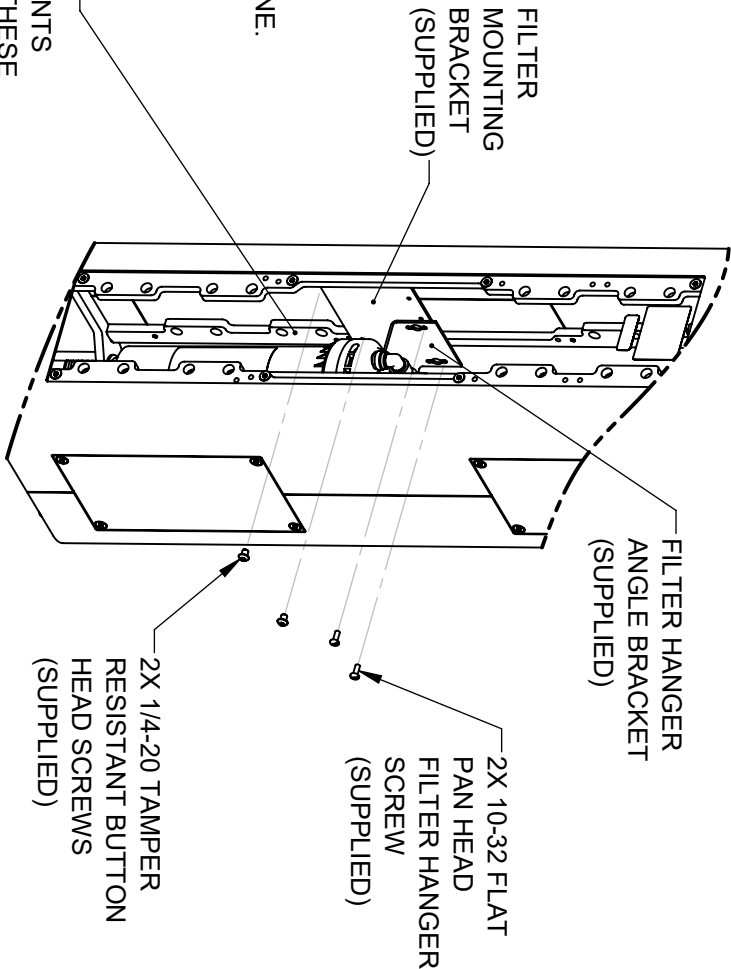
INSERTS, FERRULES, AND COMPRESSION NUTS (SUPPLIED)

COMPRESSION COUPLER (SUPPLIED)

3/8" TUBING (SUPPLIED) FOR MODEL 3610F, CUT TUBING AS REQUIRED TO INSTALL FILTER IN THIS LINE.

3/8" TUBING (SUPPLIED) FOR MODEL 3610F, CUT TUBING AS REQUIRED TO INSTALL FILTER IN THIS LINE.

NOTE: FILTER BRACKET MOUNTS TO INSIDE OF THESE RAILS ON THE LEFT SIDE. USE THREADED HOLES SHOWN.

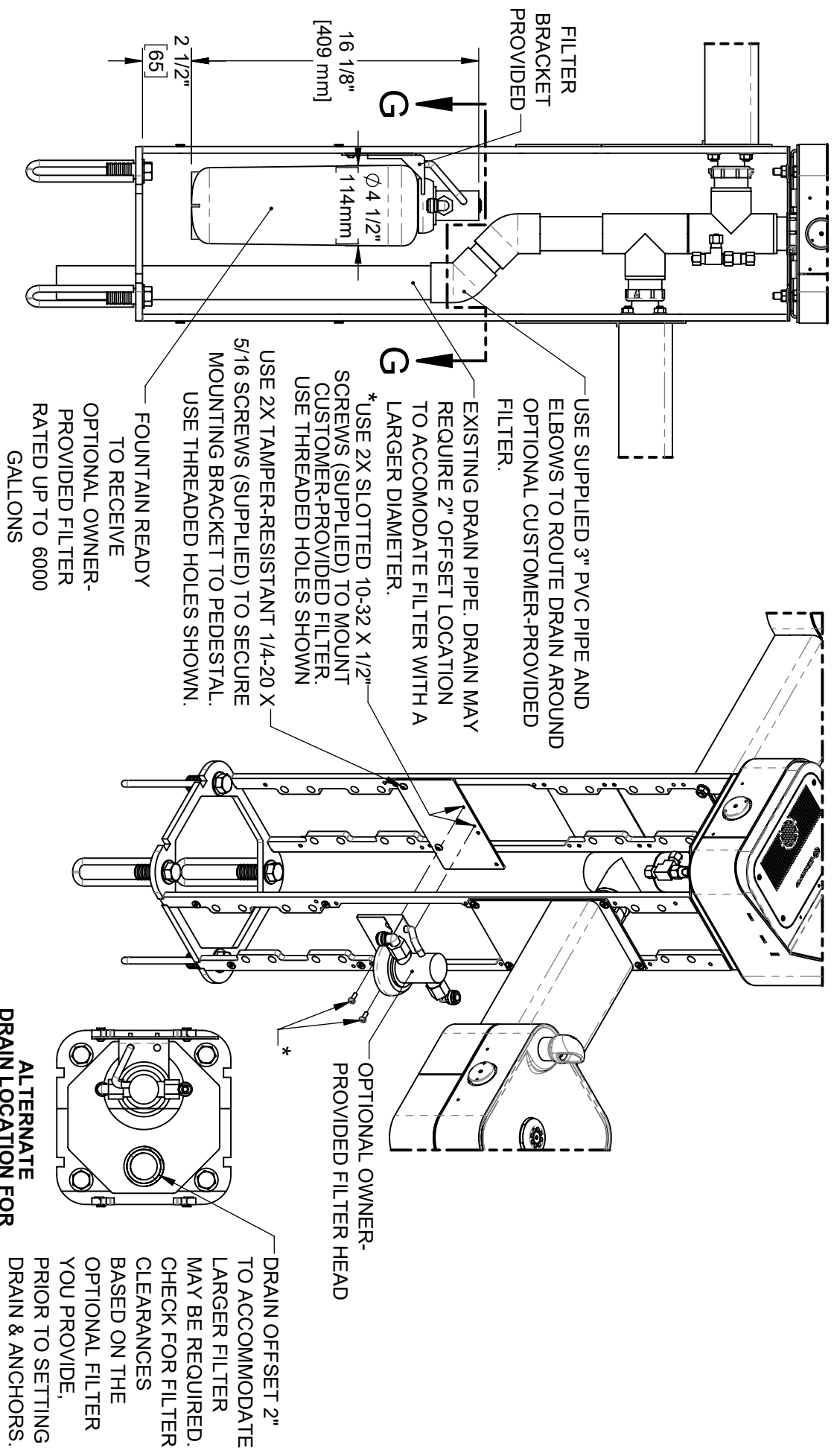


### 3610F FILTER BRACKET MOUNTING

**STEP 5**  
 INSTALL FILTER MOUNTING BRACKET (SUPPLIED WITH MODEL 6477) TO LEFT INSIDE VERTICAL RAILS USING 2 BUTTON HEAD SCREWS AS INDICATED ABOVE. INSTALL FILTER HEAD ON HANGER ANGLE WITH 4 SUPPLIED SELF-TAPPING SCREWS. IF USING THE SUPPLIED 3000-GALLON CAPACITY FILTER, INSTALL FILTER HANGER ANGLE BRACKET IN RIGHTMOST HOLES AS SHOWN. SEE SHEET 6 FOR OWNER-PROVIDED FILTER (6000-GALLON CAP.) INSTALLATION INSTRUCTIONS. SEE MODEL 6477 OPERATION AND MAINTENANCE MANUAL FOR ADDITIONAL DETAILS.

<b>Haus</b> Since 1906		1455 KLEPPE LANE SPARKS, NEVADA 89431 (775) 359-4712 FAX (775) 359-7424 E-MAIL: HAW@HAWSCO.COM WEBSITE: WWW.HAWSCO.COM	
ENCL: 5586	REV: 6030	BY: F.V.	MODEL(S): 3610 & 3610F
DRAWN: JLD	DATE: 07/22/24	CHKD: JLD	
APPROVED: F.V.	SCALE: 1/2" = 1"	DRAWING TYPE: INSTALLATION	SIZE: A
PART NUMBER: 0510001188 D		REVISION: 4	

# OPTIONAL OWNER-PROVIDED FILTER INSTALLATION



FILTER BRACKET PROVIDED

USE SUPPLIED 3" PVC PIPE AND ELBOWS TO ROUTE DRAIN AROUND OPTIONAL CUSTOMER-PROVIDED FILTER.

EXISTING DRAIN PIPE. DRAIN MAY REQUIRE 2" OFFSET LOCATION TO ACCOMMODATE FILTER WITH A LARGER DIAMETER.

\*USE 2X SLOTTED 10-32 X 1/2" SCREWS (SUPPLIED) TO MOUNT CUSTOMER-PROVIDED FILTER. USE THREADED HOLES SHOWN

USE 2X TAMPER-RESISTANT 1/4-20 X 5/16 SCREWS (SUPPLIED) TO SECURE MOUNTING BRACKET TO PEDESTAL. USE THREADED HOLES SHOWN.

FOUNTAIN READY TO RECEIVE OPTIONAL OWNER-PROVIDED FILTER RATED UP TO 6000 GALLONS

OPTIONAL OWNER-PROVIDED FILTER HEAD

ALTERNATE DRAIN LOCATION FOR CUSTOMER SUPPLIED OPTIONAL FILTER SECTION A-A

DRAIN OFFSET 2" TO ACCOMMODATE LARGER FILTER MAY BE REQUIRED. CHECK FOR FILTER CLEARANCES BASED ON THE OPTIONAL FILTER YOU PROVIDE, PRIOR TO SETTING DRAIN & ANCHORS.

## INSTRUCTIONS FOR OPTIONAL OWNER-PROVIDED FILTER

NOTE: MOUNTING BRACKET, 1-1/2" X 3" PVC PIPE AND 45° PVC ELBOWS (QTY. 2) SUPPLIED WITH 6477 FILTER MOUNTING KIT ARE REQUIRED (SHOWN ON MODEL 3612/3612F FOR REFERENCE ONLY). INSTALLATION INSTRUCTIONS APPLY TO EITHER NEW OR RETROFIT APPLICATIONS. SEE SHEETS 4 AND 5 FOR STANDARD FILTER (3000-GALLON CAPACITY) INSTALLATION INSTRUCTIONS.



**Haws**  
Since 1906

1455 KLEPPE LANE  
SPARKS, NEVADA, 89431

(775) 359-4712 FAX (775) 359-7424

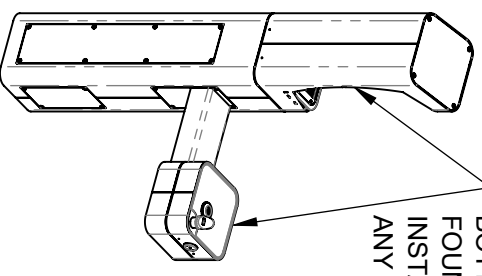
E-MAIL: HAWS@HAWS.CO.COM  
WEBSITE: WWW.HAWS.CO.COM

ENCL. 5586	REV. E.C.N. 6030	BY: F.V.	MODEL(S) 3610 & 3610F
DRAWING DATE: 07/22/24	DATE: 07/22/24	CHK'D: J.L.	
APPROVED: F.V.	DATE: 07/22/24	SCALE: 1/24"	DRAWING TYPE: INSTALLATION
		SIZE: A	SHEET 6 OF 8
			REVISION: 4
			PART NUMBER: 0510001188.D

**NOTES ON OPTIONAL CONFIGURATIONS**

HAWES 3600/3600F SERIES OUTDOOR FOUNTAINS ARE MODULAR AND CAN BE ASSEMBLED AND CONFIGURED MANY DIFFERENT WAYS. DISPLAYED HERE ARE A FEW EXAMPLES. CONFIGURATIONS OTHER THAN THAT SHOWN IN THE INSTALLATION INSTRUCTIONS FOR THE 3610/3610F MAY AFFECT COMPLIANCE WITH ADA REGULATIONS. IT IS THE RESPONSIBILITY OF THE INSTALLER TO UNDERSTAND LOCAL, STATE, AND FEDERAL REGULATIONS AS APPLICABLE IF INSTALLING THIS FOUNTAIN IN CONFIGURATIONS OTHER THAN THAT INDICATED ON SHEET 1 (PAGE 6 OF 13).

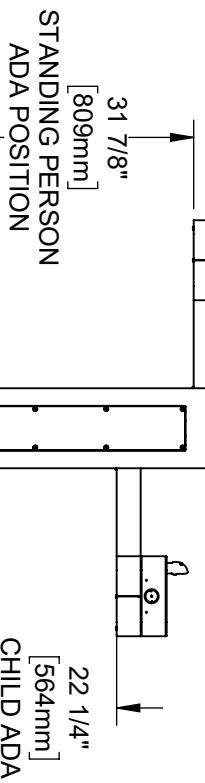
BOTTLE FILLER AND FOUNTAINS CAN BE INSTALLED TO FACE ANY DIRECTION



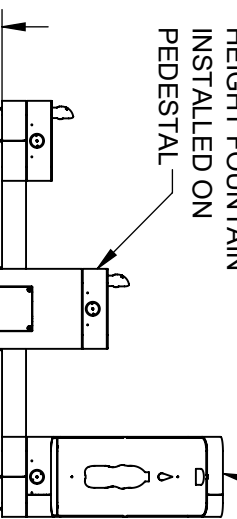
ADA ARM HEIGHT POSITION OPTIONS					
	LEFT SIDE*	RIGHT SIDE*	ARM HEIGHT (LOWER EDGE)	BUBBLER NOZZLE HEIGHT	
STANDING ADA	YES (STD)	NO	31-7/8 [809 mm]	39-3/8 [999 mm]**	
WHEELCHAIR ADA	YES	YES (STD)	27 [687 mm]	34-5/8 [878 mm]	
CHILD ADA	YES	YES	22-1/4 [566 mm]	29-7/8 [757 mm]	

\* RIGHT AND LEFT CAN BE REVERSED IF PEDESTAL IS ROTATED 180°.

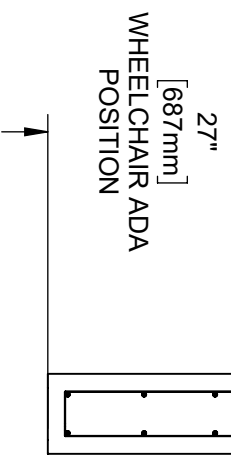
\*\*NOZZLE HEIGHT IS 41-1/2" WHEN FOUNTAIN IS INSTALLED ON TOP OF PEDESTAL.



BOTTLE FILLER CAN BE INSTALLED ON ARMS



ADA STANDING HEIGHT FOUNTAIN INSTALLED ON PEDESTAL



**Haws**  
Since 1906

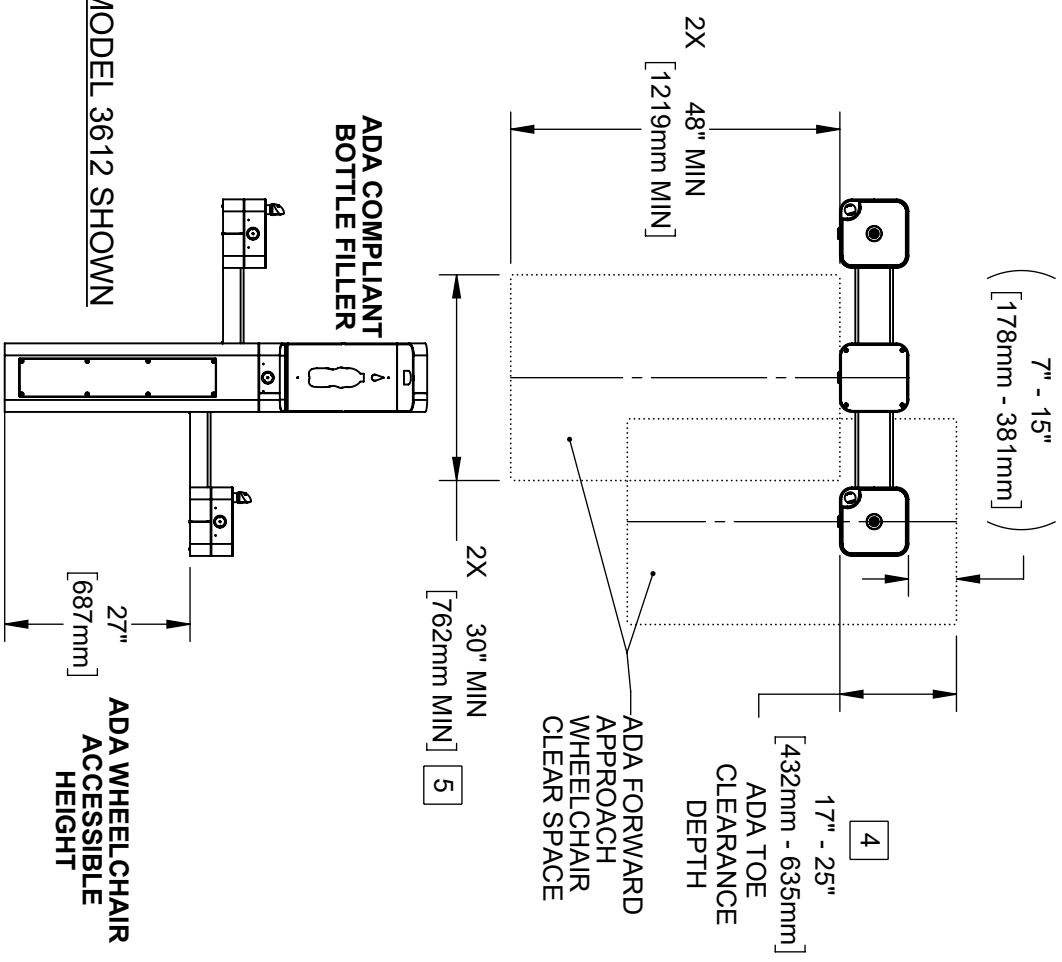
1455 KLEPPE LANE  
SPARKS, NEVADA, 89431  
(775) 359-4712 FAX (775) 359-7424  
E-MAIL: HAWS@HAWSCCO.COM  
WEBSITE: WWW.HAWSCCO.COM

ECN: 5586	REV. ECN: 5586	BY: F.V.	MODEL(S): 3610 & 3610F	1455 KLEPPE LANE SPARKS, NEVADA, 89431 (775) 359-4712 FAX (775) 359-7424 E-MAIL: HAWS@HAWSCCO.COM WEBSITE: WWW.HAWSCCO.COM
DRAWING DATE: 07/20/24	DATE: 07/20/24	CHK'D: JL	SCALE: 1/2" = 1'-0"	1455 KLEPPE LANE SPARKS, NEVADA, 89431 (775) 359-4712 FAX (775) 359-7424 E-MAIL: HAWS@HAWSCCO.COM WEBSITE: WWW.HAWSCCO.COM
APPROVED: F.V.	DATE: 07/20/24	SCALE: 1/2" = 1'-0"	DRAWING TYPE: INSTALLATION	SIZE: A
PART NUMBER: 0510001188.D			REVISION: 4	



NOTES:

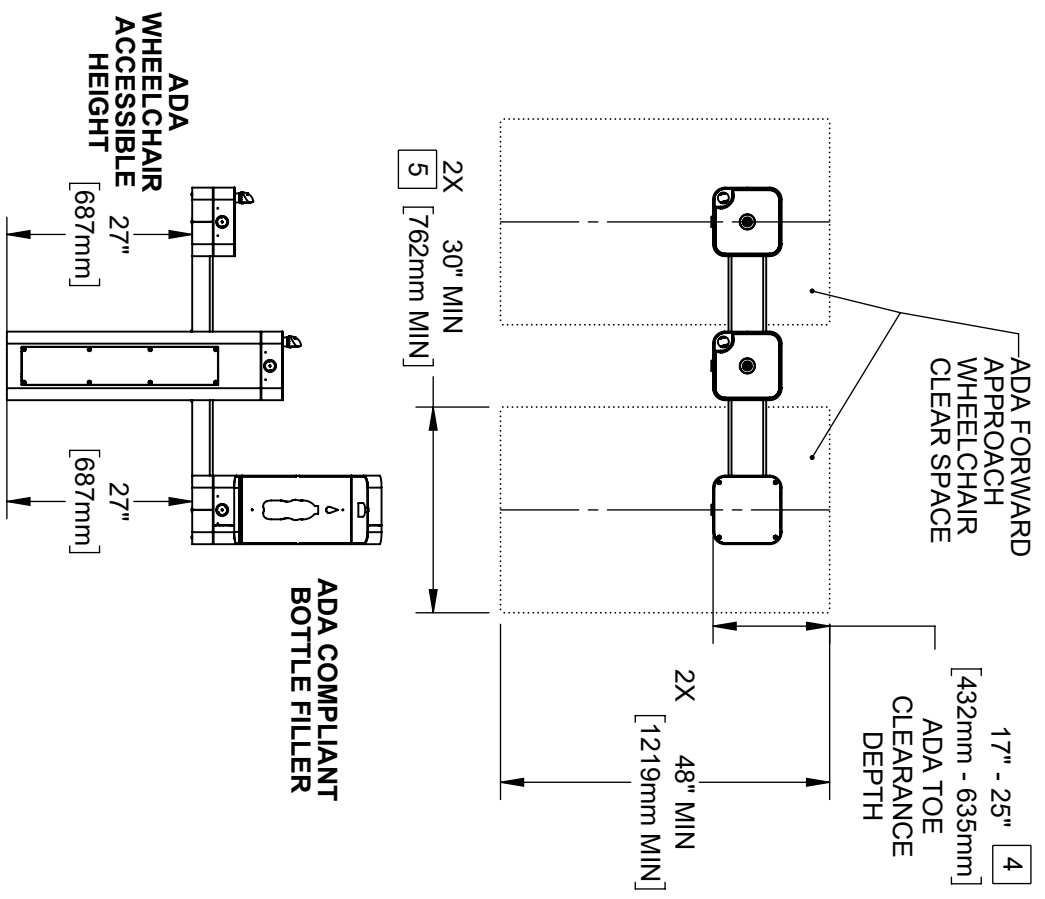
2. CLEAR FLOOR SPACES APPLY FOR ALL MODELS WITH A DRINKING FOUNTAIN OR BOTTLE FILLER INSTALLED AT ADA WHEELCHAIR ACCESSIBLE HEIGHT AND PEDESTAL MOUNTED BOTTLE FILLERS.
3. ORIENTATION OF CLEAR FLOOR SPACE IS DEPENDENT ON THE FOUNTAIN OR BOTTLE FILLER ORIENTATION.
4. SOME CALIFORNIA JURISDICTIONS MAY REQUIRE 18" MIN.
5. SOME CALIFORNIA JURISDICTIONS MAY REQUIRE 32" MIN.
6. REFER TO ADA STANDARDS AND/OR YOUR LOCAL BUILDING CODE FOR CLEAR SPACE GUIDELINES FOR PARALLEL APPROACH.



MODEL 3612 SHOWN

ADA WHEELCHAIR ACCESSIBLE HEIGHT

MODEL 3612 ALTERNATE CONFIGURATION SHOWN



THESE HAWS MODELS ARE FULLY COMPLIANT WITH THE FEDERAL 2010 AMERICANS WITH DISABILITIES ACT (ADA) ACCESSIBILITY REQUIREMENTS WHEN INSTALLED AS SHOWN HERE AND WHEN INSTALLED WITH PROPER CLEARANCES AND ACCESS. IT IS THE RESPONSIBILITY OF THE INSTALLER TO ADHERE TO LOCAL, STATE, AND FEDERAL CODES WHEN INSTALLING THIS UNIT. DISTANCE TO SURROUNDING OBJECTS, APPROACH SURFACES, ETC. SHOULD BE CONSIDERED.



Since 1906

1455 KLEPPE LANE  
SPARKS, NEVADA, 89431  
(775) 359-4712 FAX (775) 359-7424  
E-MAIL: HAWS@HAWS.CO.COM  
WEBSITE: WWW.HAWS.CO.COM

ENCL	REV. ECL	BY:	MODEL(S)
5886	6090	F.V.	3610 & 3610F
DRAWING DATE	CHK'D		
APPROVED: 07/02/24	DATE	SCALE	DRAWING TYPE
F.V.	07/02/24	1/28	INSTALLATION
		SIZE	SHEET 8 OF 8
			4
PART NUMBER	0510001188.D	REVISION	