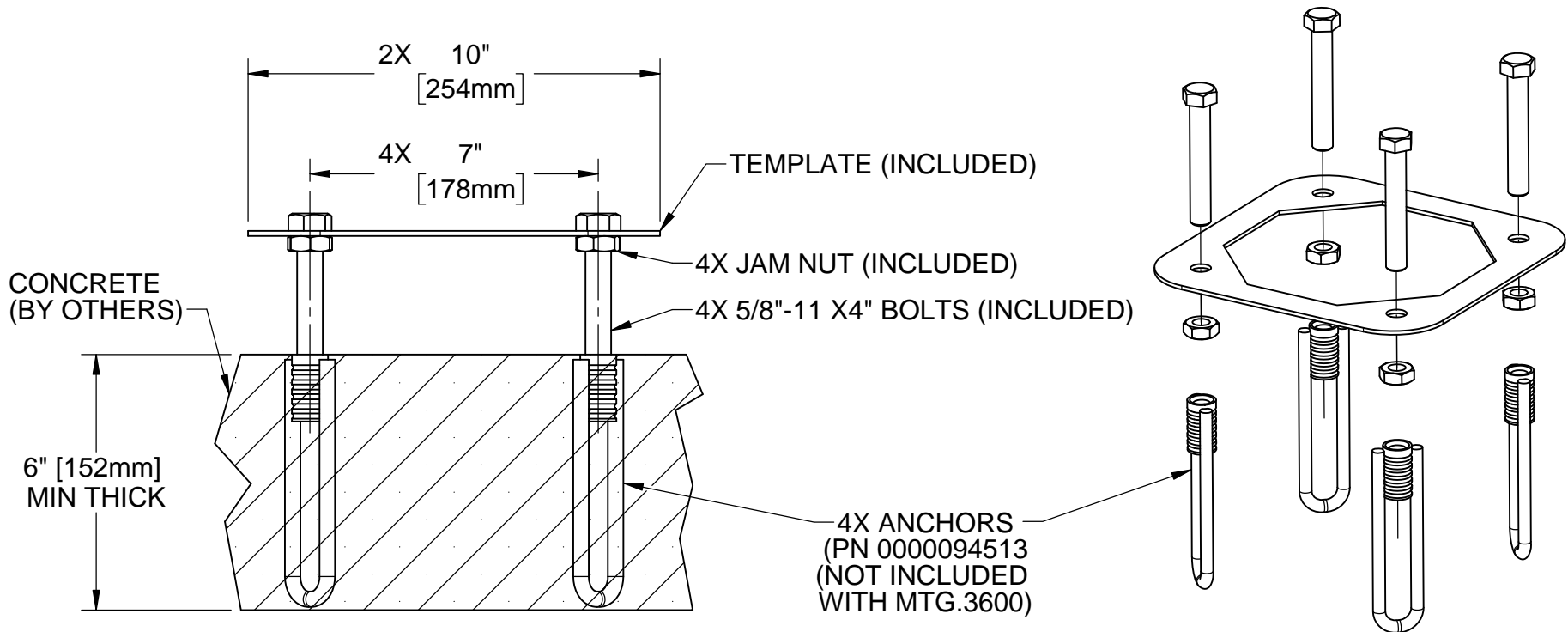



TEMPLATE USAGE INSTRUCTIONS:

1. **REQUIRED TOOLS:** QTY. 2 OF 15/16" WRENCH OR ADJUSTABLE WRENCH.
2. **REQUIRED PARTS (NOT INCLUDED):** QTY. 4 OF 5/8-11 CAST-IN CONCRETE ANCHORS (MAY BE INCLUDED WITH FOUNTAIN).
3. INSERT BOLTS THROUGH TEMPLATE.
4. THREAD JAM NUTS ONTO BOLTS AND TIGHTEN AGAINST THE TEMPLATE, SECURING THEM IN PLACE.
5. THREAD CONCRETE ANCHORS ONTO BOLTS, MAKING SURE THAT AN EQUAL DISTANCE IS MAINTAINED BETWEEN THE TEMPLATE AND ALL FOUR ANCHORS. POSITION ANCHORS AS SHOWN.
6. POSITION TEMPLATE AND ANCHORS AS REQUIRED AND SECURE TO FORMS.
7. POUR CONCRETE AROUND ANCHORS AND TROWEL FLAT AND LEVEL WHERE THE FOUNTAIN WILL BE INSTALLED. THE OUTSIDE PROFILE OF THE TEMPLATE MATCHES THE FOUNTAIN OUTSIDE PROFILE.
8. ALLOW CONCRETE TO SET, THEN REMOVE TEMPLATE AND BOLTS. NOTE: THE BOLTS AND NUTS ARE FOR TEMPLATE USE ONLY. THEY ARE NOT TO BE USED TO INSTALL THE FOUNTAIN.



**MTG.3600**  
**CONCRETE ANCHOR TEMPLATE FOR 36XX SERIES**  
**MODULAR OUTDOOR FOUNTAIN SYSTEM**

			1455 KLEPPE LANE SPARKS, NEVADA 89431 (775) 359-4712 FAX (775) 359-7424 E-MAIL: HAWS@HAWS.CO.COM WEBSITE: WWW.HAWS.CO.COM		
			ECN: 5543 DRAWN: DHP APPROVED: FV	REV. ECN: 5577 DATE: 08/17/20 DATE: 11/11/20	BY: FV CHKD: DP
SCALE: 1:8   DRAWING TYPE: INSTALLATION   SIZE: A				REVISION 2	
				SHEET 1 OF 1	