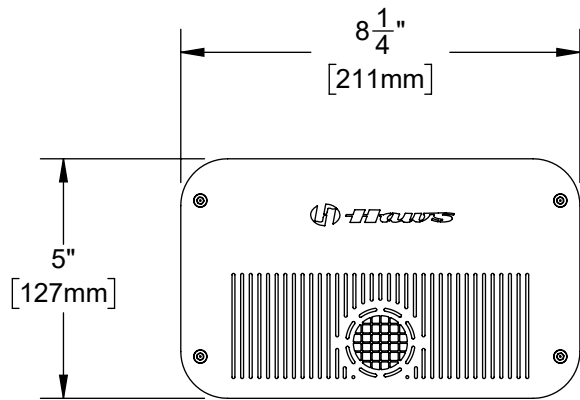
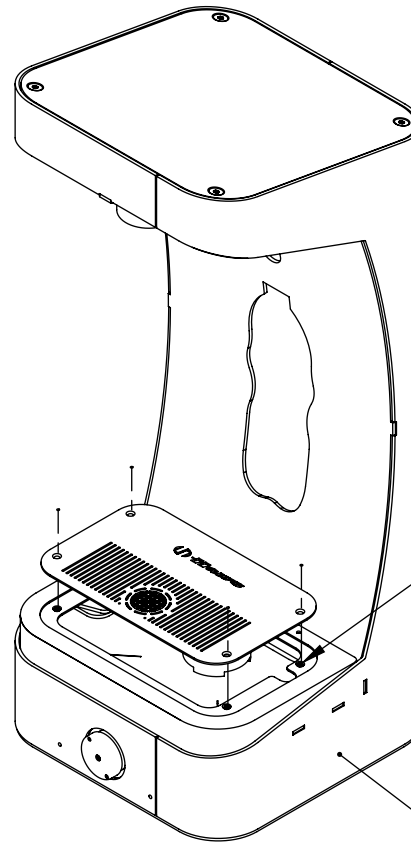




**6-32 HEX STYLE TAMPER RESISTANT SCREW  
DETAIL**



**3659  
BOTTLE FILLER DRAIN PLATE  
DETAIL**



4X ATTACH TO BOTTLE FILLER  
USING 6-32 TAMPER  
RESISTANT SCREWS  
(SUPPLIED)

3690 BOTTLE FILLER  
(SHOWN FOR  
REFERENCE ONLY  
- NOT SUPPLIED)



1455 KLEPPE LANE  
SPARKS, NEVADA 89431  
(775) 359-4712 FAX (775) 359-7424  
E-MAIL: HAWS@HAWS.CO.COM  
WEBSITE: WWW.HAWS.CO.COM

ECN: 5226	REV. ECN: 5615	BY: DP	MODEL(S)	PART NUMBER
DRAWN: MH	DATE: 11/16/17	CHKD: FV	3659	0510000791
APPROVED: IR	DATE: 11/20/20	SCALE: 1:5	DRAWING TYPE: INSTALLATION	REVISION 4
			SIZE: A	SHEET 1 OF 1