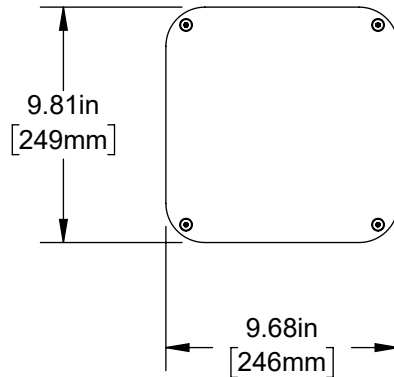
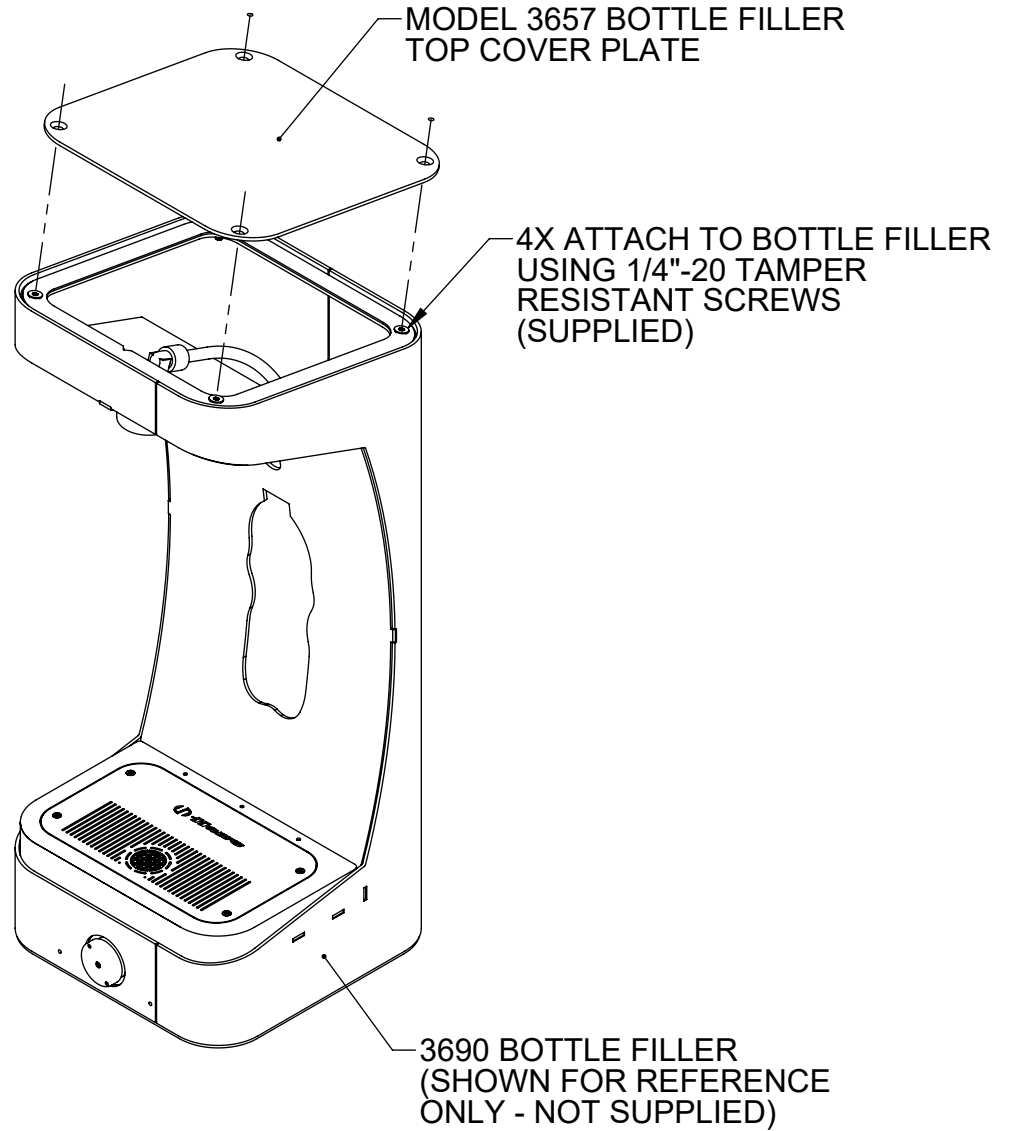




**1/4\"-20 HEX STYLE TAMPER RESISTANT SCREW
DETAIL**



**3657
BOTTLE FILLER TOP COVER PLATE
DETAIL**



				1455 KLEPPE LANE SPARKS, NEVADA 89431 (775) 359-4712 FAX (775) 359-7424 E-MAIL: HAWS@HAWS.CO.COM WEBSITE: WWW.HAWS.CO.COM	
				ECN: 5226 DRAWN: MJ APPROVED: IR	REV. ECN: 5615 DATE: 08/29/17 DATE: 11/20/20
SCALE: 1:5		DRAWING TYPE: INSTALLATION		SIZE: A	SHEET 1 OF 1