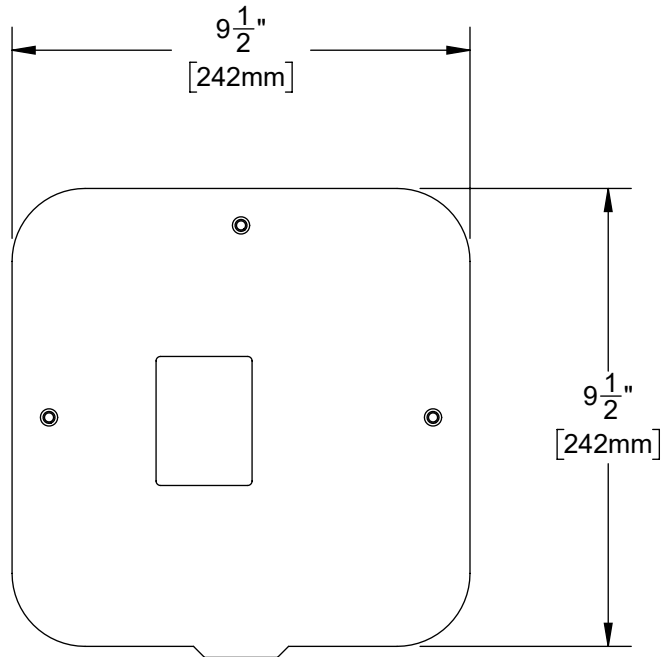
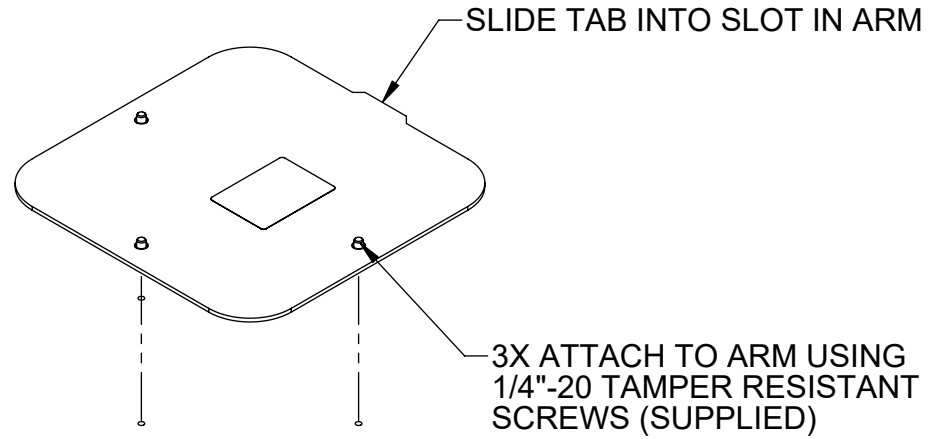




**1/4\"-20 HEX STYLE TAMPER RESISTANT SCREW
DETAIL**



**3656
PEDESTAL SHORT ARM BOTTOM ACCESS PLATE
DETAIL**

				1455 KLEPPE LANE SPARKS, NEVADA 89431 (775) 359-4712 FAX (775) 359-7424 E-MAIL: HAWS@HAWS.CO.COM WEBSITE: WWW.HAWS.CO.COM	
				ECN: 5226 REV. ECN: 5707 BY: FV MODEL(S) DRAWN: MH DATE: 08/19/17 CHKD: DP 3656 APPROVED: FV DATE: 11/04/21 SCALE: 1:5 DRAWING TYPE: INSTALLATION SIZE: A	