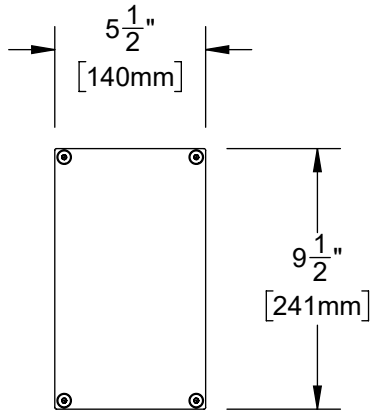


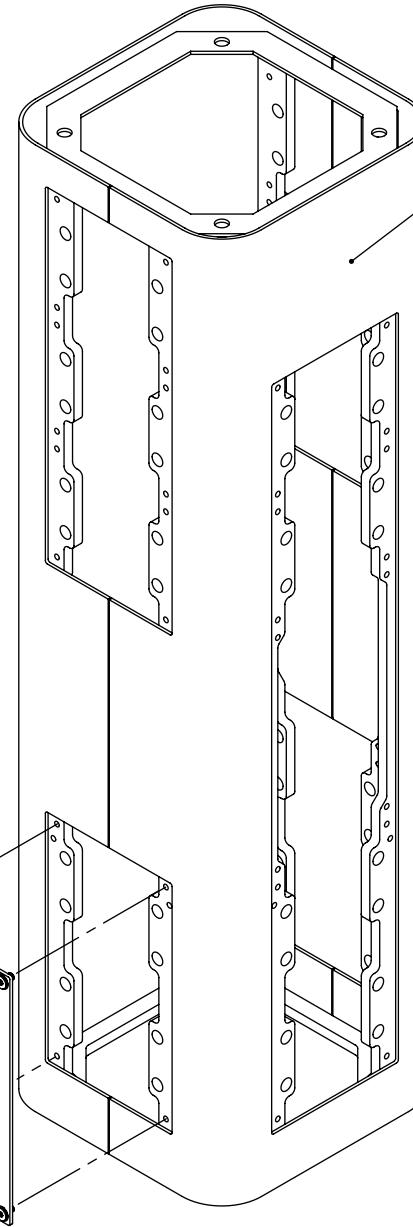


**1/4"-20 HEX STYLE TAMPER RESISTANT SCREW
DETAIL**



**3651
MEDIUM ACCESS COVER PLATE
DETAIL**

4X ATTACH TO PEDESTAL USING
1/4-20 TAMPER RESISTANT
SCREWS (SUPPLIED)



3674 PEDESTAL
(SHOWN FOR
REFERENCE
ONLY - NOT
SUPPLIED)

NOTE: EXAMPLE INSTALLATION LOCATION SHOWN. THE MEDIUM ACCESS COVER PLATE CAN BE INSTALLED AT ANY OF FOUR LOCATIONS ON THE PEDESTAL AS REQUIRED.

		1455 KLEPPE LANE SPARKS, NEVADA 89431 (775) 359-4712 FAX (775) 359-7424 E-MAIL: HAWS@HAWS.CO.COM WEBSITE: WWW.HAWS.CO.COM	
		ECN: 5226 DRAWN: MH APPROVED: IR	REV. ECN: 5615 DATE: 05/15/17 DATE: 11/20/20
PART NUMBER 0510000721.D			REVISION 4
SCALE: 1:7		DRAWING TYPE: INSTALLATION	SIZE: A SHEET 1 OF 1