



# INSTALLATION, OPERATION & MAINTENANCE INSTRUCTIONS

1455 Kleppe Lane ♦ Sparks, NV 89431-6467 ♦ (775) 359-4712 ♦ Fax (775) 359-7424  
E-mail: [haws@hawsco.com](mailto:haws@hawsco.com) ♦ website: [www.hawsco.com](http://www.hawsco.com)

No. 0510000490 (12)

## Model 1920/1920HPS/1920W Bottle Filler

**NOTE TO INSTALLER:** Please leave this information with the Maintenance Department.

### LIMITED WARRANTY

*HAWS* warrants that all of its products are guaranteed against defective material or poor workmanship for a period of **one year from the date of shipment**. The foregoing notwithstanding, *HAWS* warrants certain specific products or components thereof for an adjusted period. A list of these excepted products and components and a description of their respective warranty terms may be found here: [www.hawsco.com/warranty](http://www.hawsco.com/warranty). *HAWS'* liability under this warranty shall be discharged by furnishing without charge F.O.B. *HAWS* factory any goods, or part thereof, which shall appear to the Company upon inspection to be of defective material or not of first-class workmanship, provided that a claim is made in writing to Company within a reasonable period after receipt of the product. Where claims for defects are made, the defective part or parts shall be delivered to the Company, prepaid, for inspection. *HAWS* shall not be liable for the cost of repairs, alterations or replacements, or the labor required to implement them, or for any expense connected therewith made by the owner or owner's agents, except upon written authority from *HAWS*. *HAWS* shall not be liable for any damages caused by defective materials or poor workmanship, except for replacements, as provided above. Buyer agrees that *HAWS* has made no other warranties either express or implied in addition to those above stated, except that of title with respect to any of the products or equipment sold hereunder and that *HAWS* shall not be liable for general, special, incidental, or consequential damages claimed to arise under the contract of sale.

Equipment manufactured by *HAWS* is warranted to function if installation and maintenance instructions provided are adhered to. The units also must be used for the purpose for which they were intended. Any *HAWS* emergency equipment is intended to supplement first-aid treatment. Due to widely varying conditions, *HAWS* cannot guarantee that the use of this emergency equipment will prevent serious injury or the aggravation of existing or prior injuries.

**EXCEPT AS EXPRESSLY STATED HEREIN, HAWS HEREBY DISCLAIMS ALL WARRANTIES, WHETHER EXPRESS OR IMPLIED, ARISING BY LAW OR OTHERWISE, INCLUDING WITHOUT LIMITATION, ANY IMPLIED WARRANTIES OF MERCHANTABILITY AND FITNESS FOR A PARTICULAR PURPOSE. THIS WARRANTY MAY NOT BE MODIFIED OR EXTENDED WITHOUT THE WRITTEN CONSENT OF HAWS. REMEDIES AND REPLACEMENTS STATED HEREIN ARE EXCLUSIVE. IN NO EVENT SHALL HAWS BE LIABLE FOR ANY SPECIAL, PUNITIVE, CONSEQUENTIAL OR INCIDENTAL DAMAGES TO ANY PERSON INCLUDING BUT NOT LIMITED TO DAMAGES FOR LOSS OF USE OR PROFITS, SUBSTITUTE PRODUCTS OR COSTS, PROPERTY DAMAGE, OR OTHER MONETARY LOSS.**

**SHOULD YOU EXPERIENCE DIFFICULTY WITH THE INSTALLATION OF THIS MODEL PLEASE CALL:**

**TECHNICAL SUPPORT: 1-800-766-5612**  
**FOR CUSTOMER SERVICE: 1-888-640-4297**

**REQUIRED TOOLS:** Tubing cutter, 3/32" and 5/32" hex key set, adjustable wrench or socket.

**LOCATION OF UNIT:** The Model 1920/1920HPS/1920W bottle filler water dispenser can be installed in various applications. Possible installations include indoor over an existing drinking fountain, outdoor over an existing fountain, or a standalone wall-mounted bottle filler. When installing this unit, local, state or federal codes should be adhered to.

**SUPPLY LINE:** The minimum recommended line size is 3/8"O.D. copper or plastic tubing with 30-90 psi (2-6 ATM) pressure. Where sediment or mineral content is a problem, an inlet filter is recommended.

**PLUMBING CONNECTIONS:** Inlet is 3/8"O.D. push-in type fitting.

**MAINTENANCE:** Periodically clean the strainer (located inside push button valve). Refer to 5874 Series Valve Manual for more information.

## INSTALLATION PROCEDURE

### GENERAL NOTES:

1. For all plastic push-in type fitting connections, only connect NSF-61 copper or plastic tubing. Stainless steel or glass tubing is not recommended. The following assembly instructions must be followed to ensure a watertight connection:
  - a. Cut tubing square and clean.
  - b. Mark from end of tube the length of insertion (See table below).
  - c. Push tube into the fitting until it bottoms out.
  - d. To remove, depress collet and pull tubing out.

Tube Sizes	O.D. Tolerance	Insertion Depth
3/8"	±.005"	3/4"

### CLEANING INSTRUCTIONS FOR HI-POLISHED STAINLESS PRODUCTS:

Haws' recommended cleaning procedure for hi-polished stainless products is as follows: Use a mild detergent or soap and water for removing stains and fingerprints or use a clean cloth with window cleaner.

### BOTTLE FILLER BRACKET:

If installing the bottle filler in new construction, it is recommended to use Model 6700 Mounting Plate. Follow the installation instructions supplied with the 6700 for mounting dimensions. Reference Pages 6-10 of this document for 1920/1920HPS/1920W button heights when mounted over different Haws drinking fountains. (Note: Mounting Hardware is only supplied with the 6700 Series Mounting Plates and not the Bottle Filler Water Dispensers).

If installing as a retrofit in old construction, it is recommended to use the Model 6700 Mounting Plate behind the finished wall. If that is not possible, it is recommended to install wood stud cross-braces behind the wall and mount the 1920/1920HPS/1920W directly to the wood support. If that is not possible, Model 6700R Retrofit Plate may be used. Follow the installation instructions supplied with the 6700R. (Note: Mounting Hardware is only supplied with the 6700 Series Mounting Plates and not the Bottle Filler Water Dispensers).

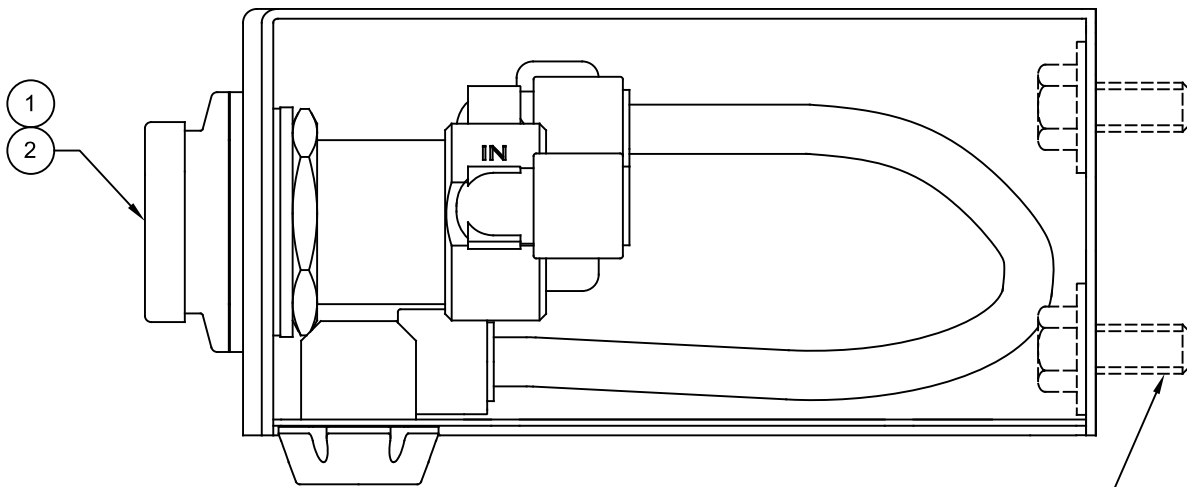
If installing as a stand-alone bottle filler, use the mounting hole location diagram on Page 5 and bolt the 1920/1920HPS/1920W securely to the wall. (Note: Mounting Hardware is not supplied with the Bottle Filler Water Dispensers).

<b>TROUBLESHOOTING</b>	
<b>PROBLEM</b>	<b>REPAIR CHECKLIST</b>
1. Insufficient water flow.	1a. Check that any inlet screwdriver stop valve (not supplied) is wide open. Turn counterclockwise. b. Verify minimum 30 psi flowing supply pressure. c. Clean strainer. See 5874 Series Valve Manual. d. Adjust valve to increase flow. Use front adjust screw or see 5874 Series Valve Manual. Make sure nozzle is free of debris. e.
2. Excessive water flow.	2a. Adjust valve to decrease flow. Use front adjust screw or see 5874 Series Valve Manual.
3. Water flow is crooked or splatters.	3a. Make sure nozzle is free of debris. b. Verify that bottle filler is installed level and straight. c. Adjust valve to decrease flow. Use front adjust screw or see 5874 Series Valve Manual.

For more information about Haws products, see our website: [www.hawscow.com](http://www.hawscow.com)


ITEM	DESCRIPTION	PART NO.
1	VALVE REPAIR KIT HF	VRK5874HF
2	PUSH BUTTON ASSY	PBA6

# PARTS BREAKDOWN

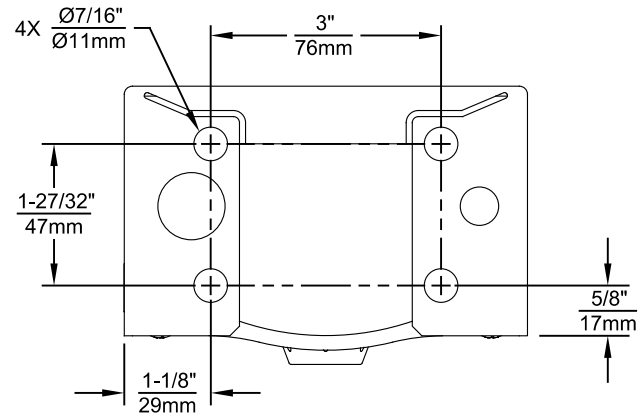
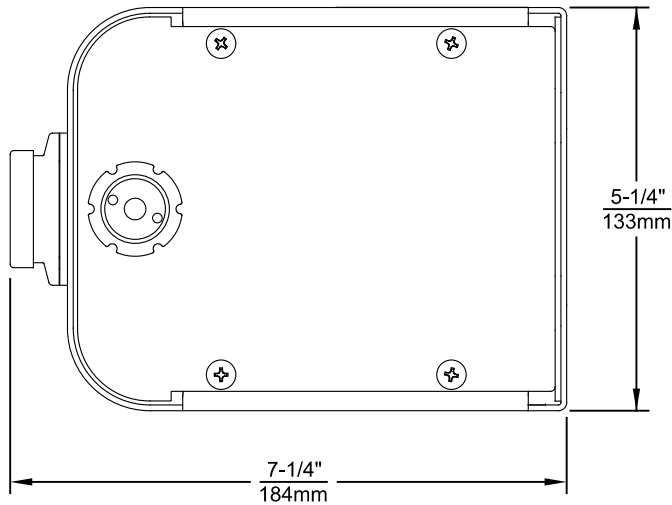
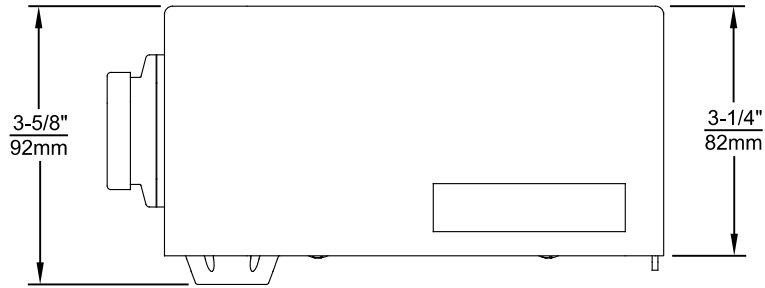


3/8"-16 UNC MOUNTING HARDWARE  
NOT SUPPLIED

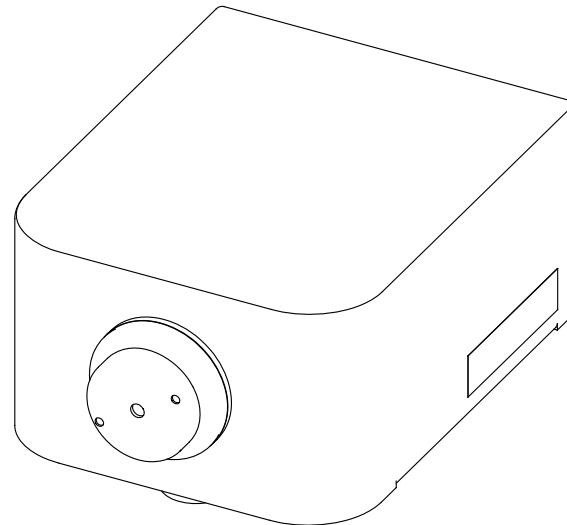
WHEN ORDERING PARTS PLEASE SPECIFY MODEL NUMBER.

 <b>Haws</b> Since 1906			1455 KLEPPE LANE SPARKS, NEVADA 89431 (775) 359-4712 FAX (775) 359-7424 E-MAIL: HAWS@HAWS.CO.COM WEBSITE: WWW.HAWS.CO.COM	
			ECN NO. 5081 DRAWN MJ APPROVED FV	REVISED PER ECN: 5972 DATE 06/08/16 DATE 04/15/24
SCALE: 1:14			DRAWING TYPE: PARTS BREAKDOWN	SIZE: A SHEET 1 OF 1

THIS DOCUMENT IS TRUE AND CORRECT AT TIME OF PUBLICATION. CONTINUED PRODUCT IMPROVEMENTS MAKE SPECIFICATIONS AND MEASUREMENTS SUBJECT TO CHANGE WITHOUT NOTICE.




1920 SERIES MOUNTING HOLE LOCATIONS  
(3/8"-16 UNC MOUNTING HARDWARE NOT SUPPLIED)



NOTES:

1. SEE SHEETS 2 THRU 7 FOR BOTTLE FILLER ADULT ADA HEIGHT APPLICATIONS AND SHEET 8 FOR CHILD ADA HEIGHT APPLICATIONS.
2. WHEN INSTALLING THIS UNIT, LOCAL, STATE OR FEDERAL CODES SHOULD BE ADHERED TO FOR INSTALLATION LOCATIONS, WASTE & SUPPLY REQUIREMENTS OTHER THAN SHOWN.

		1455 KLEPPE LANE SPARKS, NEVADA 89431 (775) 359-4712 FAX (775) 359-7424 E-MAIL: HAWS@HAWSO.COM WEBSITE: WWW.HAWSO.COM	
		ECN NO. 5081 ECN: 5972 FV	MODEL(S) 1920/1920HPS/1920W
DRAWN: DS DATE: 05/25/16 CHK'D: JC	APPROVED: FV DATE: 04/15/24	SCALE: N/A DRAWING TYPE: INSTALLATION	REVISION 12 SIZE: A SHEET 1 OF 8