



model 1001HPSHO

Wall Mount ADA Touchless High Polished Fountain

FEATURES & BENEFITS

CONSTRUCTION

Rugged ADA accessible 18 gauge Type 304 high polished stainless steel swirl design bowl, 14 gauge Type 304 high polished stainless steel bracket, and a vandal-resistant bottom plate provides a long lasting unit with added peace of mind.

HANDS FREE

Touchless operation for safety and peace of mind.

QUALITY CONTROL

Pre-built fountain is pressure tested to ensure no leaks and proper functionality...

MOUNTING

3/16" (.47 cm) thick steel mounting plate (sold separately) is larger, thicker and stronger than any other plate in the industry, and shall include the all-thread studs, nuts, and washers which allows for easy installation to a framed wall. (P-trap and stop require rear access)

BUBBLER HEAD

Polished chrome-plated brass bubbler head with integral laminar flow prevents splashing while providing a superior flow pattern. The integral 1 1/16" dia. basin shank and stainless anti-rotation roll pin for vandal resistance strength. Shielded, angled stream opening provides a steady source of drinking water at .45 gpm.

FOUNTAIN VALVE

Fountain incorporates a touchless sensor operated stainless steel solenoid valve controlled by a transformer for handsfree operation. A pressure regulator is used to adjust the bubbler flow according to incoming water pressures.

TAMPER RESISTANT

30-second obstruction time-out to reduce tampering of sensor.



SPECIFICATIONS

Model 1001HPSHO ADA wall mounted touchless drinking fountain shall include 18 gauge Type 304 polished stainless steel basin with integral swirl design, 14 gauge Type 304 polished stainless steel wall bracket, 100% lead-free waterways, touchless sensor operated stainless steel solenoid valve with 30-second obstruction time-out controlled by a transformer, polished chrome-plated brass vandal-resistant bubbler head with integral laminar anti-squirt flow, chrome-plated brass vandal-resistant waste strainer, vandal-resistant bottom plate, and 1-1/4" O.D. (3.2 cm) waste pipe. (P-trap and stop require rear access)

REQUIRES MODEL 6700 PRICED SEPARATELY.

FOR INDOOR USE ONLY

OPTIONS

Bottle Filler: Model 1920HPSHO, bottle filler can be a stand-alone station, or mounted above Haws 1001HPS and 1011HPS series drinking fountain models.

Remote Drinking Fountain Water chiller: Model HCR8, 8 gph (30.3 L) remote water chiller provides instantaneous cooling to meet a continuous demand for chilled water.

Support Frame: Model 6800 In-wall floor mounted fixture support legs, welded steel 4-bolt floor flanges, and supplied with 'U' bolts and hardware.

Back Panel: Model BP15HPS, high polished stainless steel 15 inch back panel for Model 1920HPS.

For more information, visit www.hawsc.com or call (888) 640-4297.

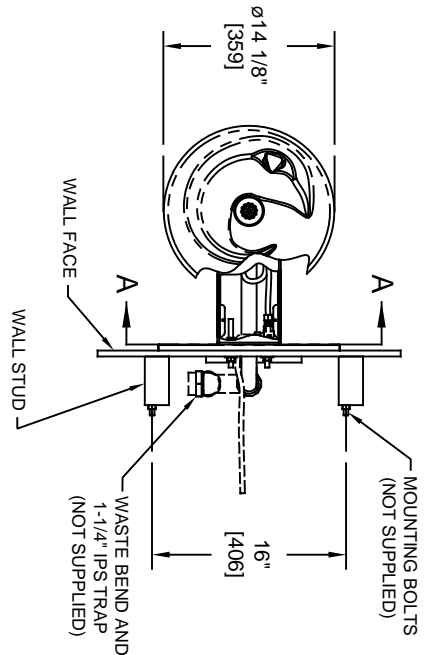
APPLICATIONS

Perfect for either public or private indoor/outdoor settings, Model 1001HPSHO is a great fit in areas where aesthetics are important to the overall appeal of the architecture. This series is precisely mounted, making it a nice addition to any surrounding. Beautiful satin finish helps to maintain the fountains overall appeal so it always remains looking as new as it did when it was installed. Specifically, this type of wall mounted drinking fountain may be placed in settings such as: schools and other locations in and around office buildings where the temperature remains above freezing. Manufactured to be lead-free by all known definitions including NSF/ANSI/CAN 61-Section 9, NSF/ANSI/CAN 372, California Proposition 65, and the Federal Safe Drinking Water Act. Product is compliant to California Health and Safety Code 116875 (AB 1953-2006), and NSF/ANSI/CAN 61: Q ≤ 1.

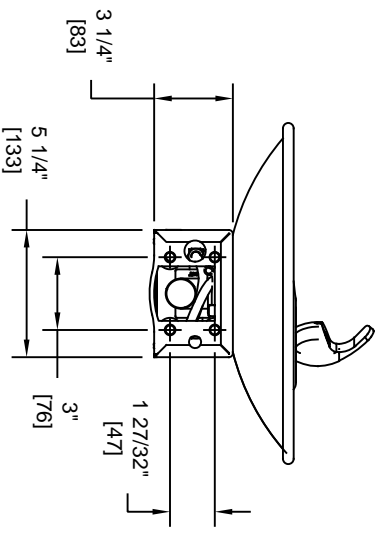


NOTES:

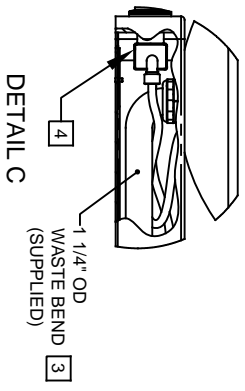
1. HOLD ROUGH-IN DIMENSIONS ±1/8" (3.2mm).
2. WHEN INSTALLING THIS UNIT, LOCAL, STATE, OR FEDERAL CODES SHOULD BE ADHERED TO FOR INSTALLATION DIMENSIONS (LOCATIONS), WASTE AND SUPPLY REQUIREMENTS OTHER THAN SHOWN.
3. INSTALLER MUST PROVIDE TRAP FOR PROPER INSTALLATION.
4. REMOVE VALVE FROM PUSH BUTTON TO INSTALL WASTE ELBOW ONTO BOWL. AFTER WASTE ELBOW IS INSTALLED, REINSTALL VALVE AND ADJUST FLOW.
5. REFER TO 5874 SERIES OPERATION AND MAINTENANCE MANUAL FOR PUSH BUTTON AND VALVE INSTALLATION/MAINTENANCE INSTRUCTIONS.



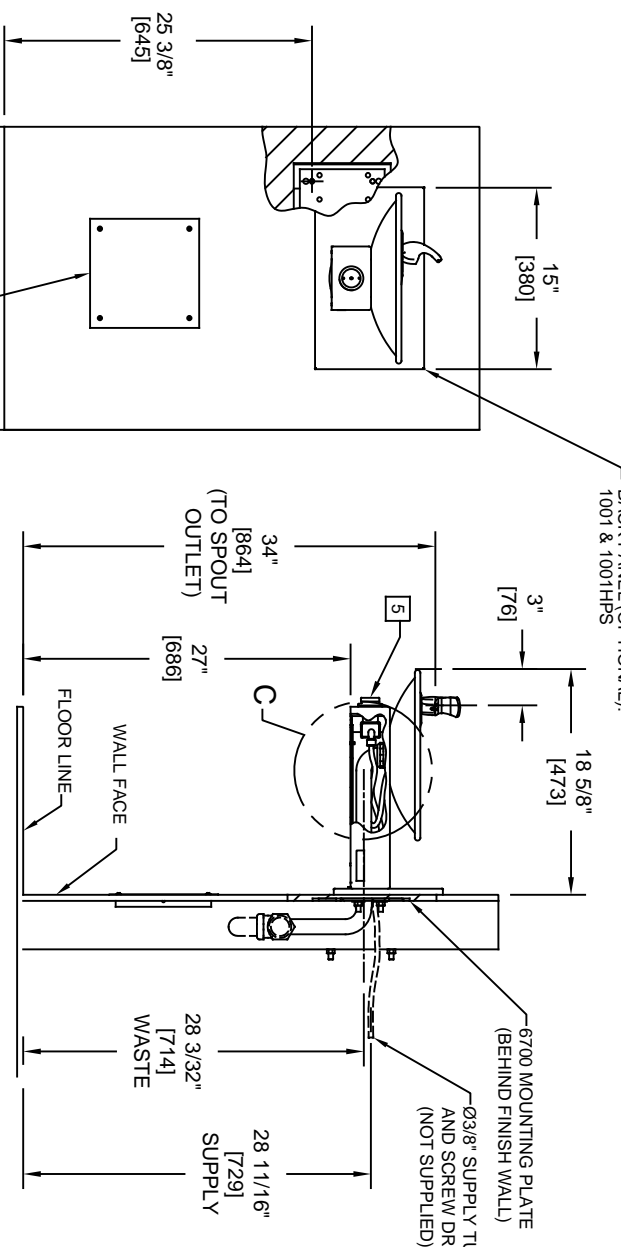
Available with hands off sensor
in lieu of push button valve.



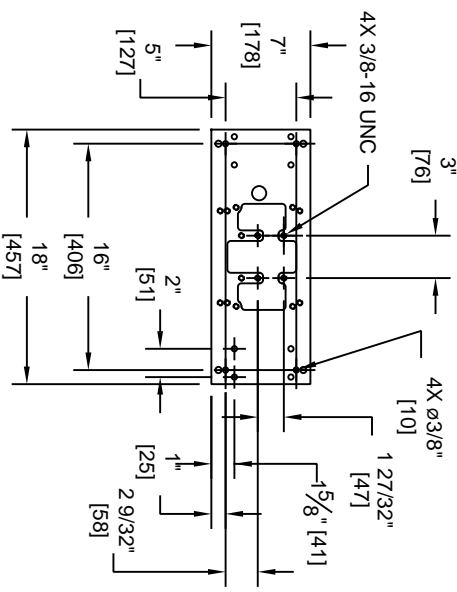
SECTION A-A
ROTATED 90° INTO VIEW
BRACKET MOUNTING
DETAIL



DETAIL C



OPTIONAL TRAP ACCESS PANEL
MODELS 6603 AND 6603HPS



**6700 MOUNTING PLATE
MUST BE INSTALLED BEFORE FINISH WORK
THIS PLATE IS REQUIRED - SOLD SEPARATELY.**

		Haws	
1456 KLEPPE LANE SPARKS, NEVADA, 89431 (775) 359-4712 FAX (775) 359-7424 E-MAIL: HAWS@HAWS.CO.COM WEBSITE: WWW.HAWS.CO.COM			
ECN NO. REVISED PER BY:	ECN. 5527	MODEL(S)	1001/1001HPSHO
DRAWN:	DATE: 05/97	CHKD:	DP
RTM:	DATE:	SCALE:	1:1
APPROVED:	DATE: 04/02/20	DRAWING TYPE:	INSTALLATION
REV:	DATE:	SIZE:	A
		SHEET:	1 OF 1
PART NUMBER	00002076304.D	REVISION:	21

