

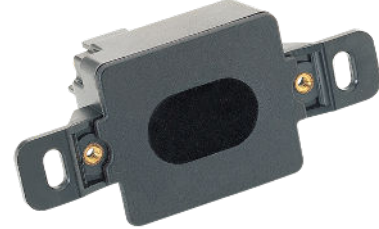
## FEATURES & BENEFITS

---

## OPTIONS

---

For more information, visit [www.hawSCO.com](http://www.hawSCO.com) or call (888) 640-4297.



## SPECIFICATIONS

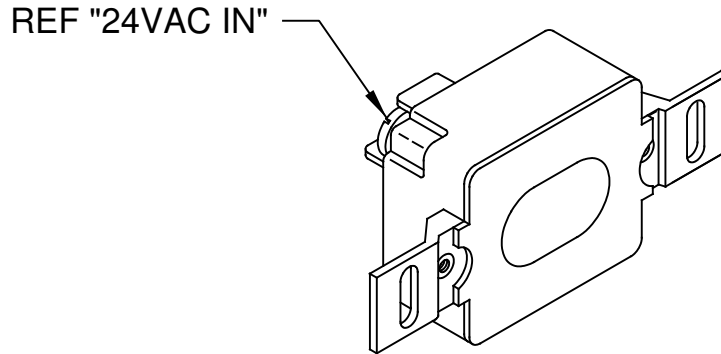
---

Model VRKH01 operates as an electronic eye, emitting a continuous beam of infrared light from the transmitting sensor. When user enters sensor's range, the signal activates the water stream. Built-in delay mode prevents activation by passers-by. A 30-35 second "maximum on" safeguards against accidental or malicious blocking of sensor and sensor burn-out. When blockage is removed, sensor automatically resets. Complete wiring harness furnished with each unit. Sensor is standard on extended bracket only.

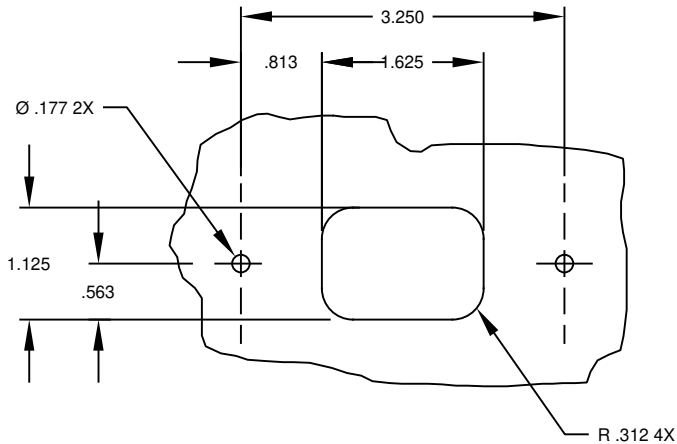
## APPLICATIONS

---

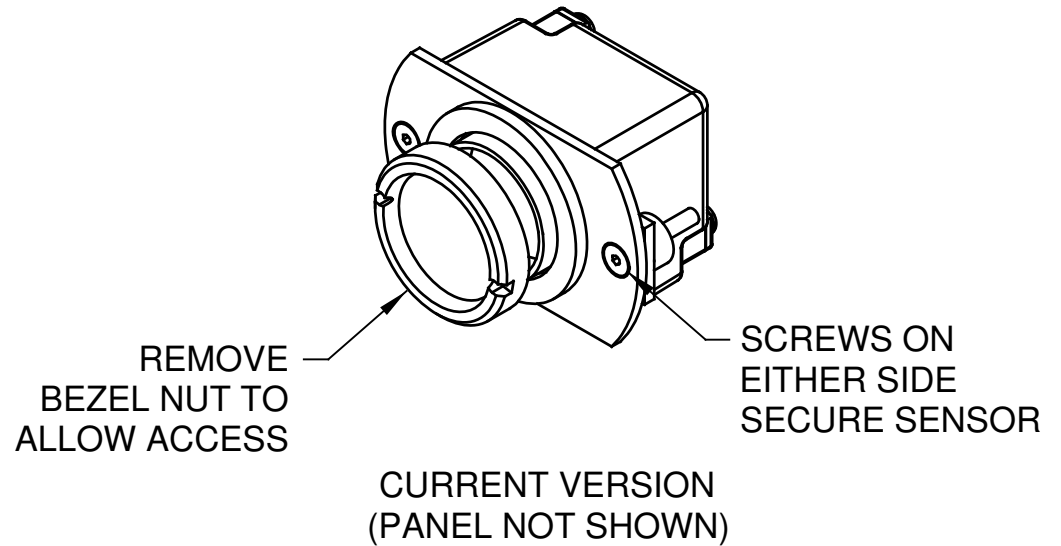
\* MUST BE USED IN CONJUNCTION WITH 24VAC TRANSFORMER AND SOLENOID



HO SENSOR CAN BE MOUNTED IN EITHER APPLICATION SHOWN BELOW



**PANEL CUT-OUT**  
OLD VERSION



 <b>Haws</b> <sup>®</sup>		1455 KLEPPE LANE SPARKS, NEVADA 89431 (775) 359-4712 FAX (775) 359-7424 E-MAIL: HAWS@HAWS.CO.COM WEBSITE: WWW.HAWS.CO.COM	
ECN NO. 1370	REVISED PER ECN: 5568	BY: FV	MODEL(S)
DRAWN: G. EXLINE	DATE: 05/10/94	CHK'D: SLS	VRKH01
APPROVED: FV	DATE: 08/14/20	SCALE: N/A	DRAWING TYPE: INSTALLATION
			PART NUMBER 0002080407.D
			REVISION 2
			SIZE: A SHEET 1 OF 1