

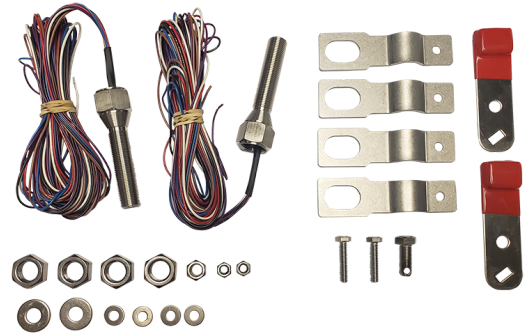
FEATURES & BENEFITS

ALTERNATIVE

Mounting the proximity switch to the ball valve is an alternative to using a flow switch plumbed in to the water supply.

OPTIONS

For more information, visit www.hawesco.com or call (888) 640-4297.



SPECIFICATIONS

The Haws SP152DC contains two double pole proximity switches designed to mount to a Haws emergency shower and eyewash. Mounted to the ball valve, each switch sends an electrical signal to an alarm or control board when the emergency fixture is activated. This switch kit includes the electrical sensor, magnet and mounting hardware.

APPLICATIONS

Specifically, this proximity switch can be used for most Haws emergency eyewashes and drench showers (not meant for freeze resistant models).

NOTES:

1 APPLY SMALL AMOUNT OF THREAD LOCKER (LOCTITE #222MS - SUPPLIED) TO MALE THREADS, WHERE INDICATED.

2 APPLY SMALL AMOUNT OF LUBRICANT (DOW CORNING #111 - SUPPLIED) TO PROXIMITY SWITCH (ITEM 1) THREADS, PRIOR TO INSTALLATION (PREVENTS THREAD SEIZING).

3. THESE PROXIMITY SWITCHES ARE CSA CERTIFIED AS ACCESSORIES FOR USE IN HAWS MANUFACTURED ASSEMBLIES.



4. PROXIMITY SWITCH INSTALLATION LOCATIONS:
 - SINGLE PROXIMITY SWITCH MODELS SP152S AND SP152D
 CAN BE INSTALLED AT EITHER:

- A) A SHOWER HEAD ONLY (SEE SHEET 2 OF 5, DETAIL A), OR
- B) AN EYE/FACE WASH ONLY (SEE SHEET 2 OF 5, DETAIL B AND SHEET 3 OF 5)

- DOUBLE PROXIMITY SWITCH MODELS SP152SC AND SP152DC
 CAN BE INSTALLED AT:

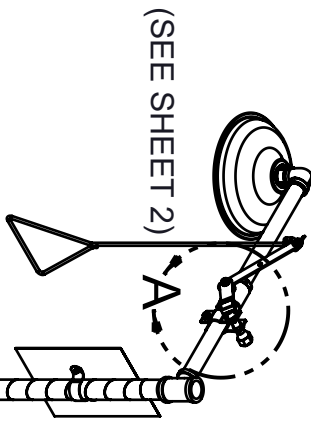
- A) BOTH A SHOWER HEAD AND EYE/FACE WASH ON COMBINATION SAFETY SHOWER UNITS (SEE SHEET 2 OF 5, DETAILS A AND B AND SHEET 3 OF 5).

5. PROXIMITY SWITCH KIT BRACKETS WILL FIT 1/2" - 1" IPS PIPE SIZES. SEE HAWS MODEL COMPATIBILITY TABLE ON PAGE 3 OF HAWS SP152 SERIES OPERATION AND MAINTENANCE MANUAL, FOR MODELS THAT THESE KITS WILL FIT ON.

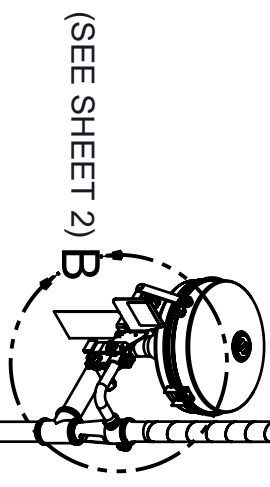
PARTS BREAKDOWN

ITEM NO.	MODEL NUMBER	DESCRIPTION	SP152S QTY.	SP152D QTY.	SP152SC QTY.	SP152DC QTY.
1		PROXIMITY SWITCH, SPDT	1	--	2	--
		PROXIMITY SWITCH, DPDT	--	1	--	2
2		STRAP, PROXIMITY SWITCH	2	2	4	4
3		WASHER, FLAT, 1/4	2	2	4	4
4		NUT, 1/4-20	1	1	2	2
5		SCREW, 1/4-20 X 1-1/4	1	1	2	2
6		JAM NUT, 5/8-18, PROXIMITY SWITCH	2	2	4	4
7		MAGNET, PROXIMITY SWITCH	1	1	2	2
8		NUT, 3/8-24	1	1	1	1
9		WASHER, FLAT, 3/8	2	2	2	2
10		SCREW, 3/8-24 X 1 WHOLE	1	1	1	1
N/A		LOCTITE THREAD LOCKER 222MS (0003244389)	1	1	1	1
N/A		DOW CORNING LUBRICANT #111 (0003247000)	1	1	1	1

SEE SHEET 4 OF 5 FOR ELECTRICAL WIRING OF PROXIMITY SWITCH(ES)

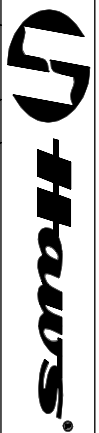


(SEE SHEET 2)



(SEE SHEET 2)

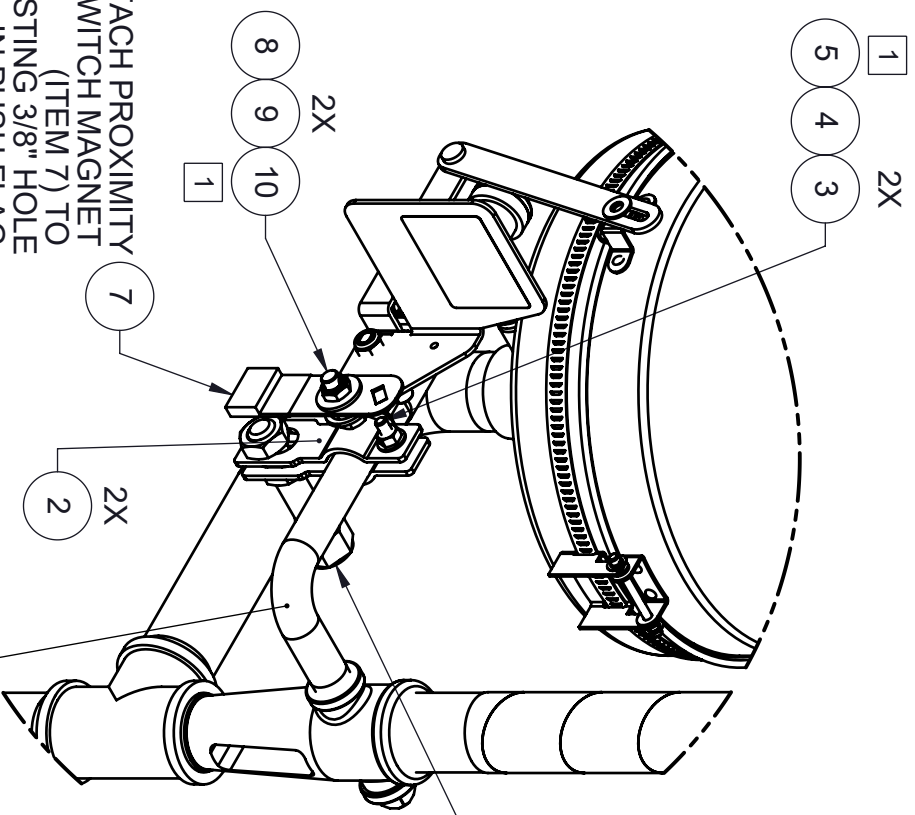
**HAWS 8300-8309
 SHOWN FOR REFERENCE
 (NOT SUPPLIED)**



1455 KLEPPE LANE
 SPARKS, NEVADA, 89431
 (775) 359-4712 FAX (775) 389-7424
 E-MAIL: HAWS@HAWSCCO.COM
 WEBSITE: WWW.HAWSCCO.COM

ENCL. 5551	REV. E/CN. 5903	BY. F.V.	MODEL(S) SP152S/SP152D/SP152SC/SP152DC/SP155-PS	PART NUMBER 0510001049.D
DRAWN 07/25/11	DATE 07/25/11	CHKD. KM	SCALE 1:16	REVISION 3
APPROVED. F.V.	DATE 08/29/12		INSTALLATION	SHEET 1 OF 5

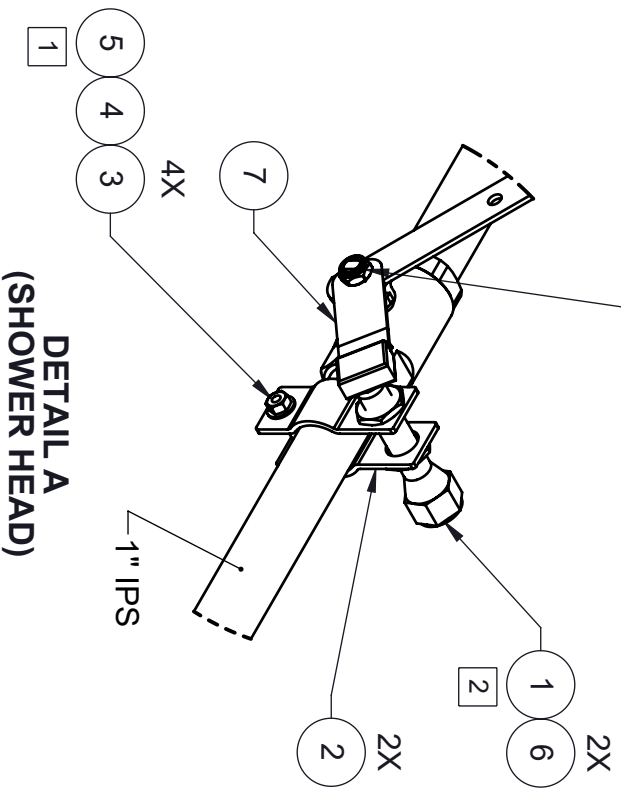
ATTACH PROXIMITY SWITCH MAGNET (ITEM 7) TO EXISTING 3/8" HOLE IN PUSH FLAG (NOT SUPPLIED) AS SHOWN.



DETAIL B
(EYE/FACE WASH)

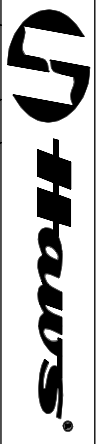
SEE SHEET 3 OF 5 (PAGE 6) FOR VERTICAL ORIENTATION OF PROXIMITY SWITCH ON EYE/FACE WASH FOR MODELS 7324 OR 8317.

REMOVE EXISTING NUT (NOT SUPPLIED), SLIDE ON PROXIMITY SWITCH MAGNET (ITEM 7) AND RE-ATTACH NUT AS SHOWN.



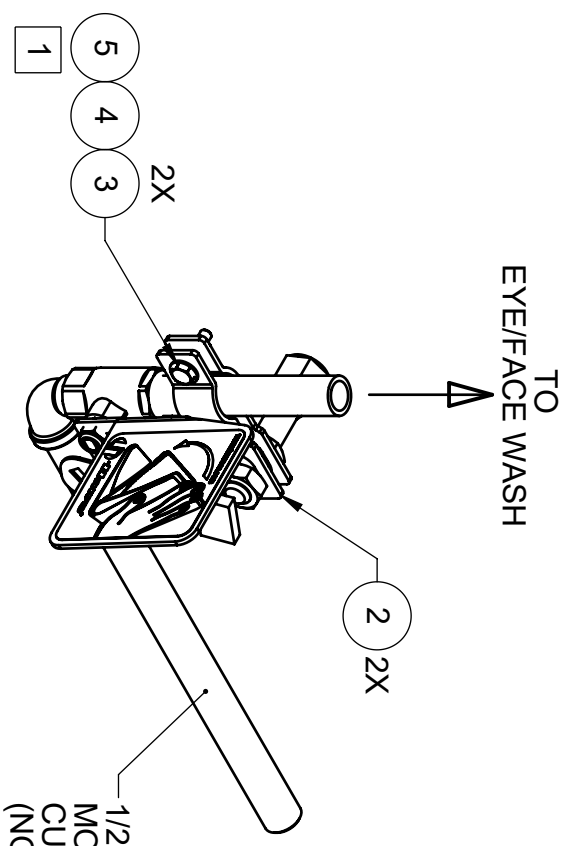
DETAIL A
(SHOWER HEAD)

PROXIMITY SWITCH LOCATION DETAILS (SWITCHES ARE SHOWN ON A COMBO SHOWER FOR REFERENCE. CERTAIN SHOWER/EYEWASH MODELS MAY REQUIRE THAT THE BRACKETS BE MOUNTED TO CUSTOMER SUPPLY PIPING)

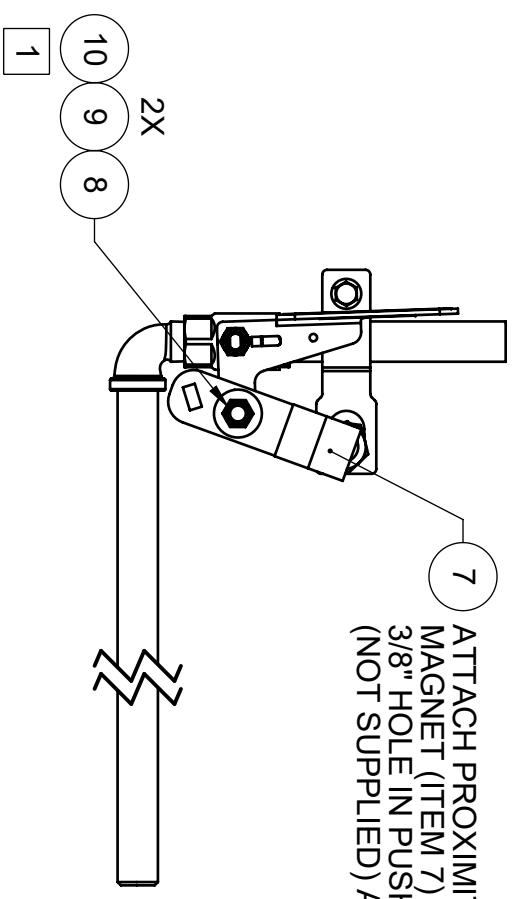
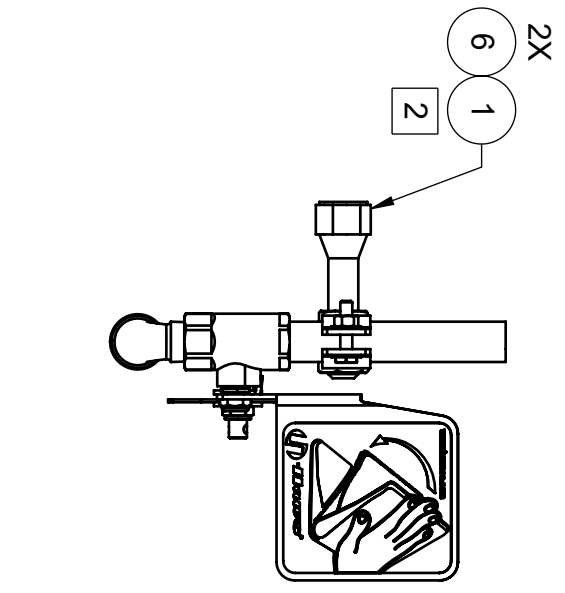


1455 KLEPPE LANE
SPARKS, NEVADA, 89431
(775) 359-4712 FAX (775) 359-7424
E-MAIL: HAWS@HAWSCCO.COM
WEBSITE: WWW.HAWSCCO.COM

ENCL	REV/ ECH	BY	MODEL(S)
5551	5903	F.V.	SP152S/SP152D/SP152SC/SP155-PS
DATE	CHK'D		
07/25/12	KM		
DATE			
08/29/22			
SCALE	1:20	DRAWING TYPE	INSTALLATION
SIZE	A	SHEET	2 OF 5
REV		REVISION	3
PART NUMBER	0510001049.D		

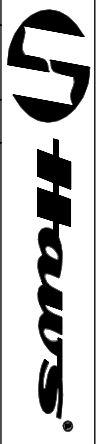


1/2" IPS PIPE ON MODEL 8317 OR 1/2" IPS CUSTOMER SUPPLY TUBING/PIPE (NOT SUPPLIED) ON MODEL 7324.



ATTACH PROXIMITY SWITCH MAGNET (ITEM 7) TO EXISTING 3/8" HOLE IN PUSH FLAG (NOT SUPPLIED) AS SHOWN.

VERTICAL ORIENTATION OF PROXIMITY SWITCH ON EYE/FACE WASH FOR MODELS 7324 OR 8317 SHOWN. SEE PREVIOUS SHEET (2 OF 5) FOR ALL OTHER INSTALLATIONS.

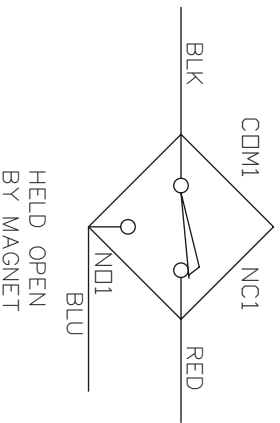


1455 KLEPPE LANE
SPARKS, NEVADA, 89431
(775) 359-4712 FAX (775) 359-7424
E-MAIL: HAWS@HAWS.CO.COM
WEBSITE: WWW.HAWS.CO.COM

ENCL. 5551	REV./E.C.N. 5903	BY: F.V.	MODEL(S) SP152S/SP152D/SP152S C/SP152D C/SP155-PS	PART NUMBER 0510001049 D
DRAWN: 07/25/11	DATE: 07/25/11	CHK'D: KM	SCALE: 1/4"	REVISION: 3
APPROVED: F.V.	DATE: 08/29/22	SCALE: 1/4"	DRAWING TYPE: INSTALLATION	SHEET 3 OF 5

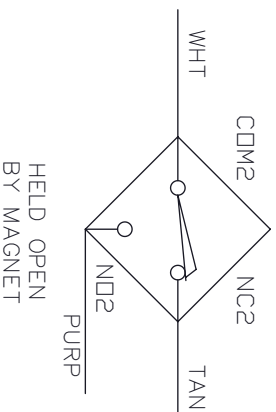
SP152S

PS



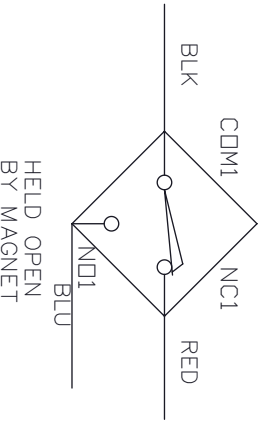
PROXIMITY SWITCHES ARE RATED TO 3 AMPS DC, VOLTAGE 0-120 VAC or 0-28 VDC, 100VA AMBIENT TEMPERATURE -40°C (-40°F) TO 60°C (140°F)

SP152D



SP152SC

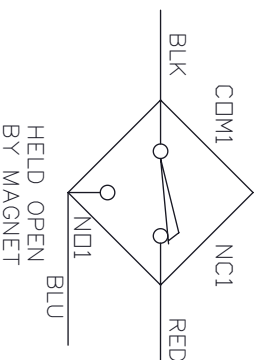
PSSH



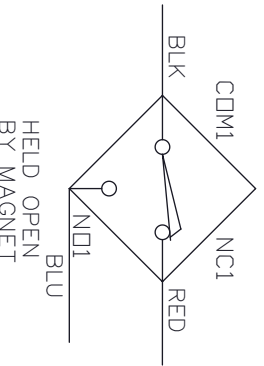
ELECTRICAL WIRING OF PROXIMITY SWITCH(ES)

SP152DC

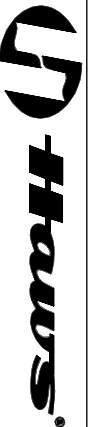
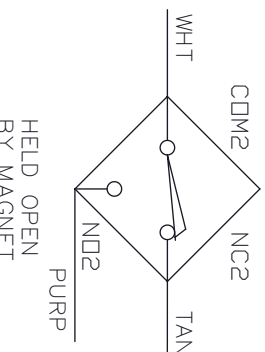
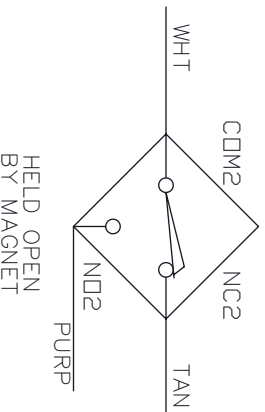
PSEW



PSEW



LEGEND:
 BLK - BLACK
 BLU - BLUE
 COM - COMMON
 PS - PROXIMITY SWITCH
 PSSH - PROXIMITY SWITCH, SHOWER
 PSEW - PROXIMITY SWITCH, EYEWASH
 PURP - PURPLE
 NO - NORMALLY OPEN
 NC - NORMALLY CLOSED
 WHT - WHITE



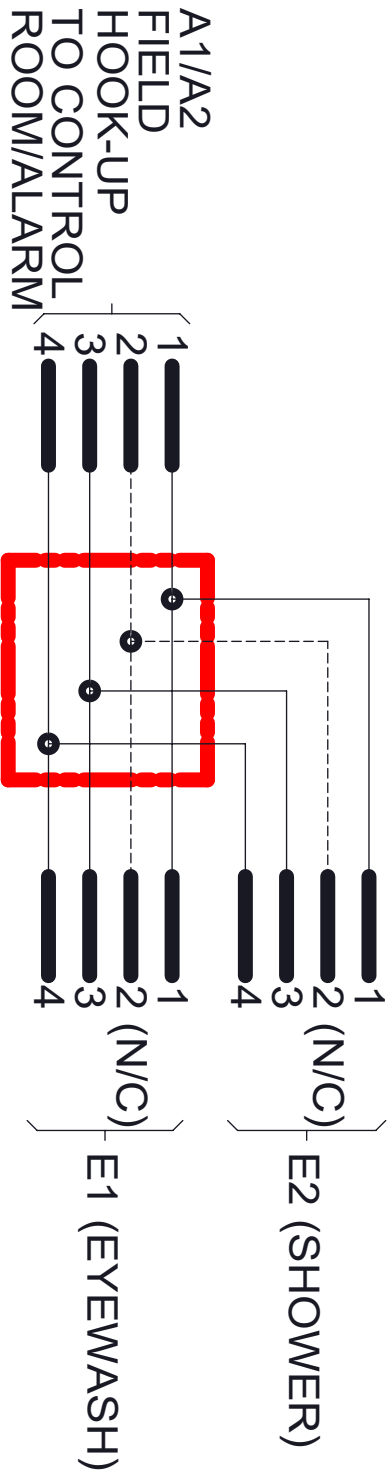
1455 KLEPPE LANE
 SPARKS, NEVADA, 89431
 (775) 359-4712 FAX (775) 359-7424
 E-MAIL: HAWS@HAWSOCO.COM
 WEBSITE: WWW.HAWSOCO.COM

ENCL	REV. E/CN	BY:	MODEL(S)
5551	5903	FV	SP152S/SP152D/SP152SC/SP152DC/SP155-PS
DRAWN	DATE	CHK'D	
07/25/11	KM		
APPROVED	DATE	SCALE	1:12
FV	08/29/22	DRAWING TYPE:	INSTALLATION
		SIZE:	A
		SHEET:	4 OF 5
		REVISION:	3
		PART NUMBER:	0510001049.D

ALL ELECTRICAL INSTALLED PER LOCAL ELECTRICAL CODES.

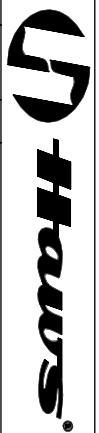
Proximity Switches rated to 3Amps DC, Voltage 0-28VDC or 0-120VAC
100VA. Ambient Temperature -40° C to +60° C.

WIRING DIAGRAM FOR SP155-PS



WIRING:

- 1 IS TAN OUTPUT N.C.
- 2 IS WHITE OUTPUT N/C (NOT CONNECTED)
- 3 IS BLUE OUTPUT N.O.
- 4 IS BLACK OUTPUT COMMON



1455 KLEPPE LANE
SPARKS, NEVADA 89431
(775) 359-4712 FAX (775) 359-7424
E-MAIL: HAWS@HAWSCCO.COM
WEBSITE: WWW.HAWSCCO.COM

ENCL	REV/ENCL	BY	MODEL(S)	PART NUMBER
5551	5903	F.V.	SP152S/SP152D/SP1525C/SP152DC/SP155-PS	0510001049 D
DATE	CHK'D	DATE	SCALE	DRAWING TYPE
07/25/11	KM	08/29/22	1:12	INSTALLATION
APPROVED	F.V.	DATE	SCALE	DRAWING TYPE
REVISION				
3				