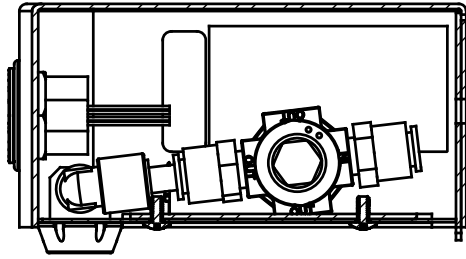


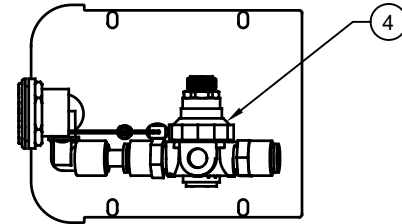
ITEM	DESCRIPTION	PART NO.
1	SENSOR	VRKH06
2	SOLENOID VALVE	VRKH05
3	TRANSFORMER	VRKH08
4	PRESSURE REGULATOR VALVE	5867
5	Y-STRAINER	6433

NOTES:

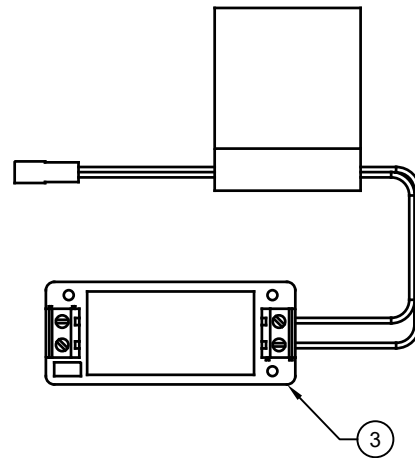
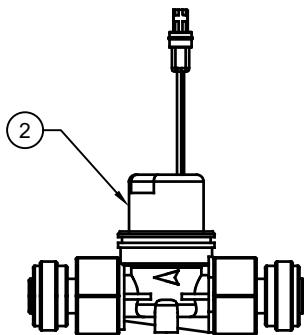
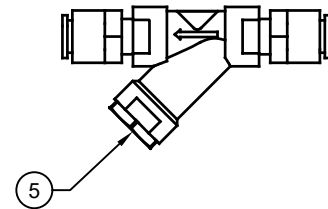
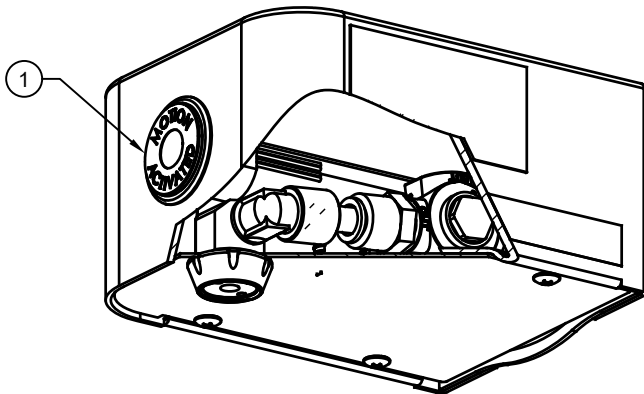
- 3/8"-16 UNC BRACKET MOUNTING HARDWARE NOT SUPPLIED.



WIRING HARNESS
NOT SHOWN
ON THIS VIEW




TOP VIEW
BRACKET REMOVED
FOR CLARITY



PARTS BREAKDOWN

WHEN ORDERING PARTS PLEASE SPECIFY MODEL NUMBER.

		Haws [®]		1455 KLEPPE LANE SPARKS, NEVADA 89431 (775) 359-4712 FAX (775) 359-7424 E-MAIL: HAWS@HAWS.CO.COM WEBSITE: WWW.HAWS.CO.COM	
				ECN NO. 5574 REVISION: FV	ECN: 5744 DATE: 08/18/20 CHKD: BJM
DRAWN: FV	DATE: 10/11/21	APPROVED: FV	SCALE: 1:14	DRAWING TYPE: PARTS BREAKDOWN	REVISION: 5
				SIZE: A	SHEET 1 OF 1