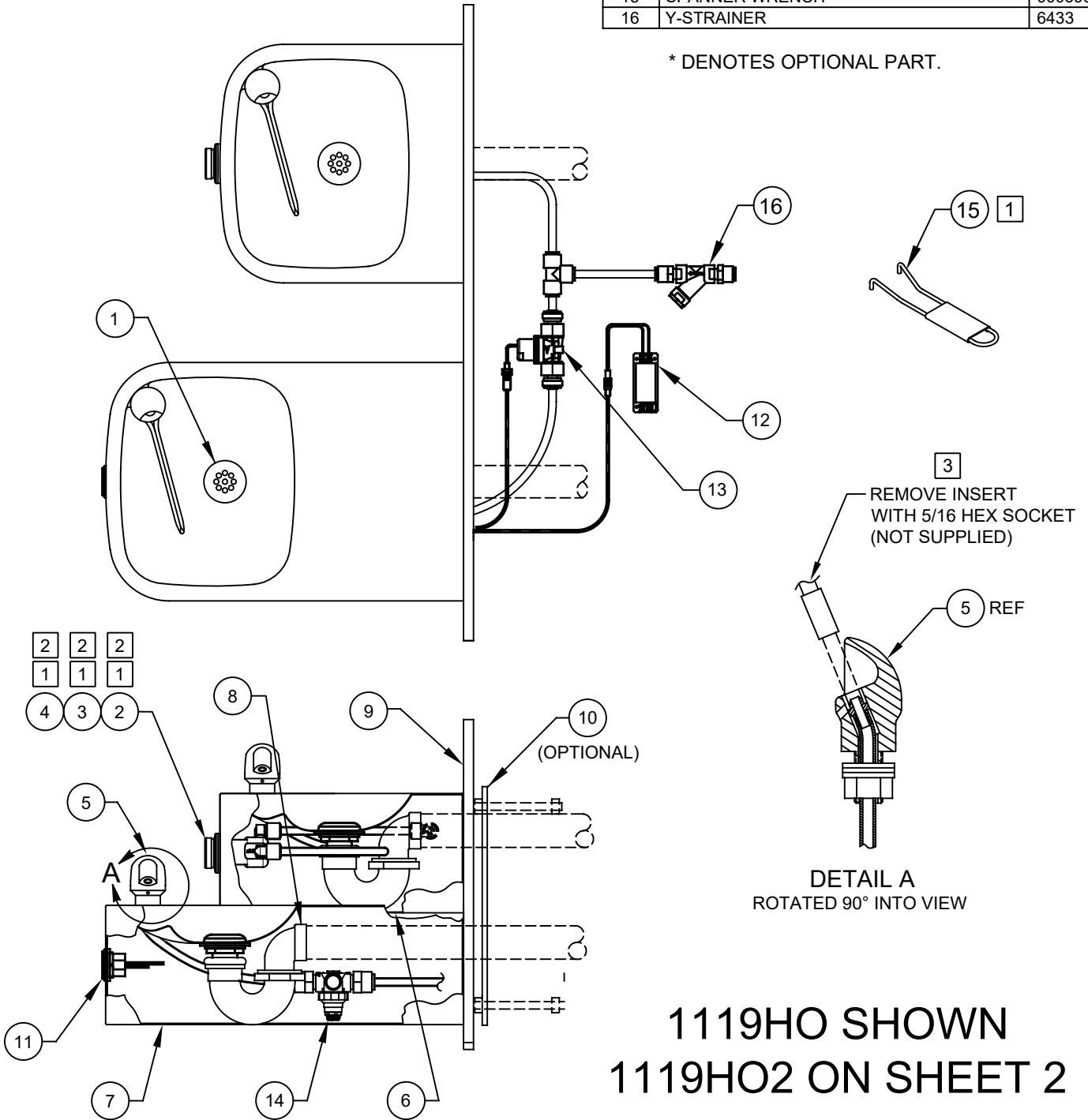


ITEM	DESCRIPTION	1119HO
1	STRAINER, WASTE ASSY	6462
2	BUTTON, PUSH, FLANGED, PCP W/ VALVE	5874PBF
3	VALVE REPAIR KIT	VRK5874
4	PUSH BUTTON ASSY	PBA6
5	BUBBLER HEAD ASSY, PCP	5703M
6	PLATE, BOTTOM	PBM1105
7	PLATE, BOTTOM	PBM1109
8	TRAP	0005982900
9	BACK PANEL	0004023580
* 10	PLATE, MOUNTING	6700.4
11	SENSOR	VRKH06
12	TRANSFORMER	VRKH08
13	SOLENOID	VRKH05
14	PRESSURE REGULATOR	5867
15	SPANNER WRENCH	0006983506
16	Y-STRAINER	6433

NOTES:

- 1 5874PBF (ITEM 2) INCLUDES VRK5874 CARTRIDGE ASSEMBLY (ITEM 3), PBA6 FLANGED PUSH BUTTON (ITEM 4) AND SPANNER WRENCH (ITEM 15).
- 2 ITEMS 2, 3 AND 4 ARE ONLY USED ON MODEL 1119HO.
- 3 ENSURE TUBE IS DISCONNECTED FROM PUSH BUTTON VALVE BODY PRIOR TO REMOVAL. APPLY ONE DROP OF LOCTITE 222MS TO NOZZLE THREADS PRIOR TO FASTENING BACK ONTO BUBBLER HEAD. RE-ATTACH TUBE TO VALVE.

\* DENOTES OPTIONAL PART.

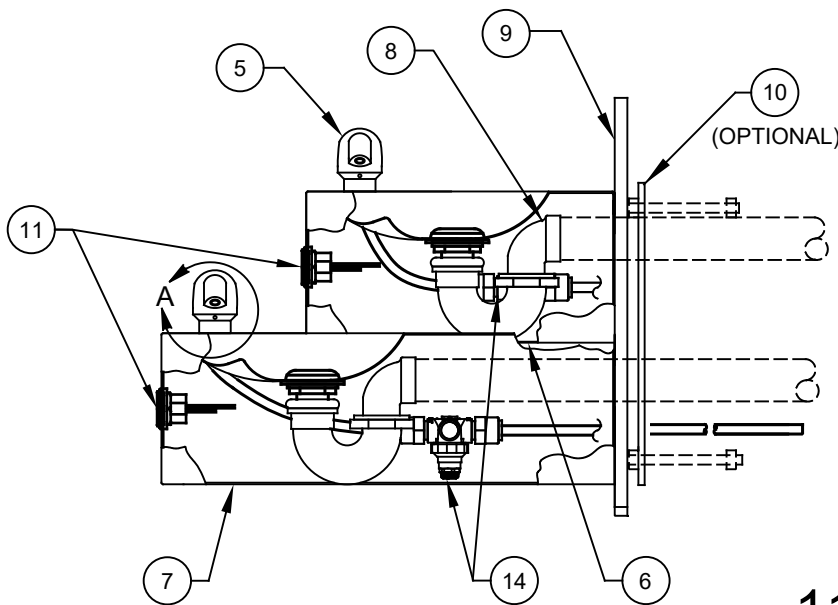
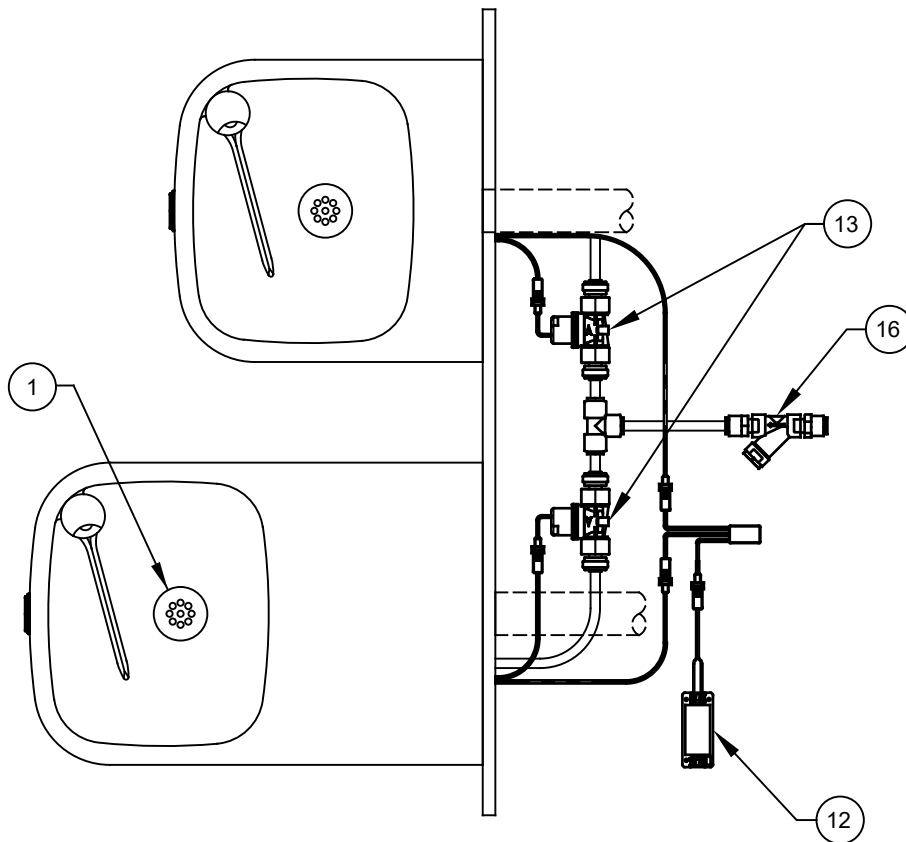


1119HO SHOWN  
1119HO2 ON SHEET 2

**PARTS BREAKDOWN**

WHEN ORDERING PARTS PLEASE SPECIFY MODEL NUMBER.


		1455 KLEPPE LANE SPARKS, NEVADA 89431 (775) 359-4712 FAX (775) 359-7424 E-MAIL: HAWS@HAWS.CO.COM WEBSITE: WWW.HAWS.CO.COM	
		ECN NO. 5605 DRAWN FV APPROVED BJM	REVISED PER ECN: 5684 DATE 10/23/20 DATE 04/28/21
SCALE: 1:4		DRAWING TYPE: PARTS BREAKDOWN	SIZE: A SHEET 1 OF 2



1119HO2 SHOWN  
1119HO ON SHEET 1

# PARTS BREAKDOWN

WHEN ORDERING PARTS PLEASE SPECIFY MODEL NUMBER.

		<b>Haws</b> <sup>®</sup>		1455 KLEPPE LANE SPARKS, NEVADA 89431 (775) 359-4712 FAX (775) 359-7424 E-MAIL: HAWS@HAWS.CO.COM WEBSITE: WWW.HAWS.CO.COM	
				ECN NO. 5605 DRAWN FV APPROVED BJM	REVISED PER ECN: 5684 DATE 10/23/20 DATE 04/28/21
				REVISION 2	SCALE: 1:4   DRAWING TYPE: PARTS BREAKDOWN   SIZE: A   SHEET 2 OF 2