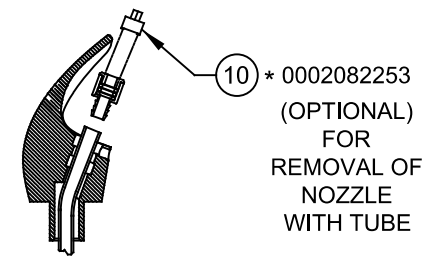
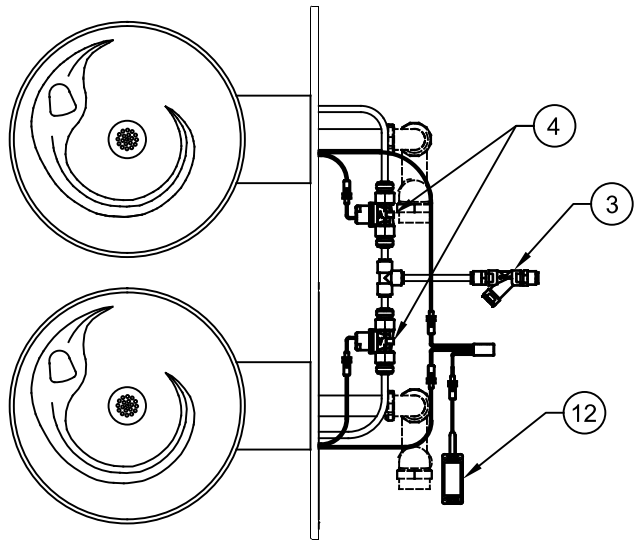
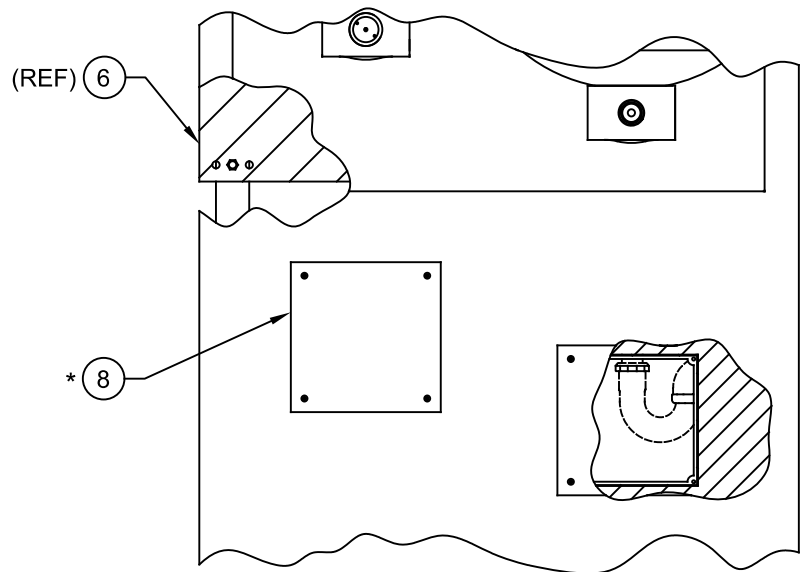
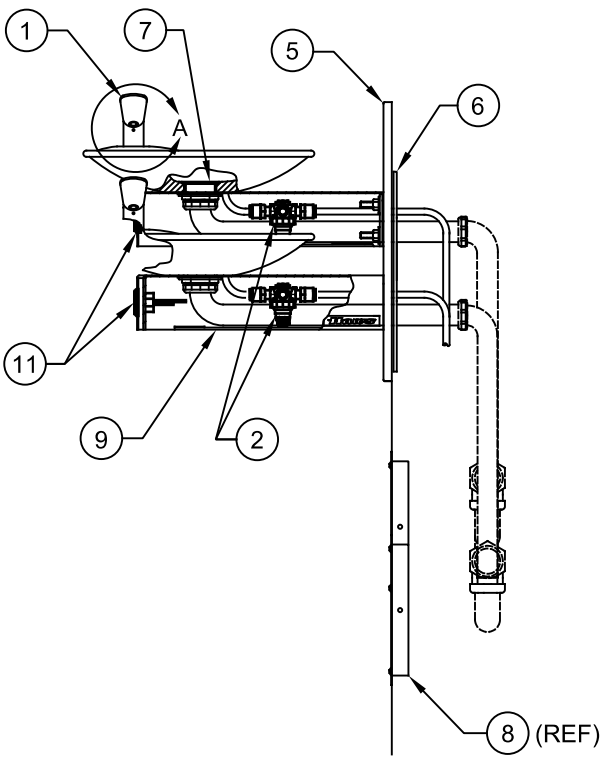


ITEM	DESCRIPTION	MODEL
1	BUBBLER HEAD, PCP	5705
2	PRESSURE REGULATOR	5867
3	Y-STRAINER	6433
4	SOLENOID VALVE	VRKHO5
5	PANEL, BACK	0004012000
6	PLATE, MOUNTING	6700.4
7	STRAINER, WASTE ASSEMBLY	6463
*	PANEL, ACCESS	6603
9	PLATE, BOTTOM, F/1000	PBM1000
*	DRIVER, NOZZLE, .25 HEX	0002082253
11	SENSOR	VRKHO6
12	TRANSFORMER	VRKHO8

* DENOTES OPTIONAL PART.




BUBBLER HEAD 5705
(TUBING CONNECTS TO INSERT ASSY)
DETAIL A
ROTATED 90° INTO VIEW



PARTS BREAKDOWN

WHEN ORDERING PARTS PLEASE SPECIFY MODEL NUMBER.

 Haws [®]		1455 KLEPPE LANE SPARKS, NEVADA 89431 (775) 359-4712 FAX (775) 359-7424 E-MAIL: HAWS@HAWS.CO.COM WEBSITE: WWW.HAWS.CO.COM	
ECN NO. 5579	REVISED PER ECN: 6004	BY J.L.	MODEL(S) 1011HO2
DRAWN FV	DATE 09/15/20	CHKD JSLP	PART NUMBER 0510001066
APPROVED J.L.	DATE 04/18/24	SCALE: 1:1	REVISION 3
DRAWING TYPE: PARTS BREAKDOWN		SIZE: A	SHEET 1 OF 1