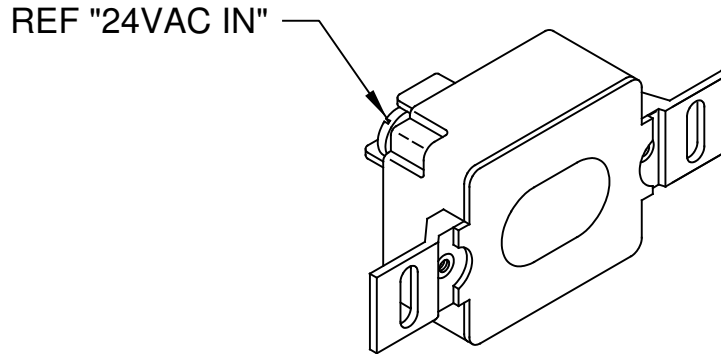
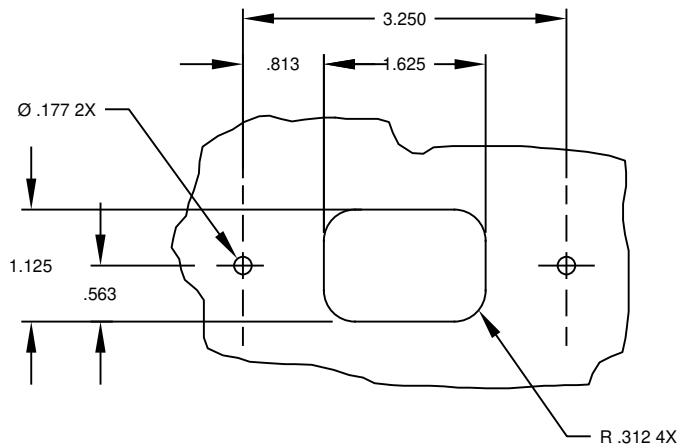


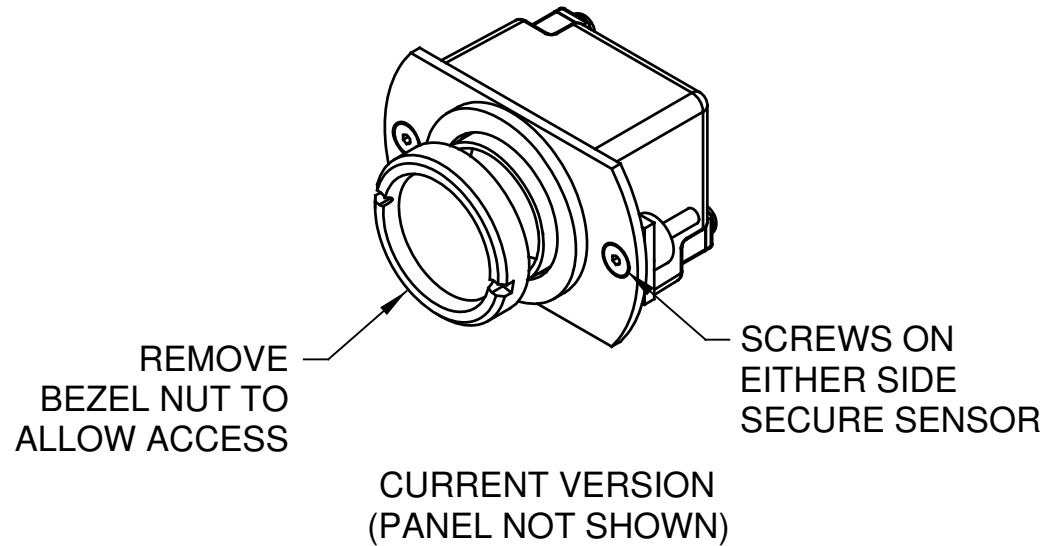
* MUST BE USED IN CONJUNCTION WITH 24VAC TRANSFORMER AND SOLENOID



HO SENSOR CAN BE MOUNTED IN EITHER APPLICATION SHOWN BELOW



PANEL CUT-OUT
OLD VERSION



 Haws [®]		1455 KLEPPE LANE SPARKS, NEVADA 89431 (775) 359-4712 FAX (775) 359-7424 E-MAIL: HAWS@HAWS.CO.COM WEBSITE: WWW.HAWS.CO.COM	
ECN NO. 1370	REVISED PER ECN: 5568	BY: FV	MODEL(S) VRKH01
DRAWN: G. EXLINE	DATE: 05/10/94	CHK'D: SLS	PART NUMBER 0002080407.D
APPROVED: FV	DATE: 08/14/20	SCALE: N/A	REVISION 2
DRAWING TYPE: INSTALLATION		SIZE: A	SHEET 1 OF 1