

NOTES:

- DEFINITION:** MODEL 9083 IS AN IMMERSIBLE CLEANSING STICK THAT GIVES CONTINUAL PROTECTION AGAINST PATHOGENIC BACTERIA FOR PORTABLE EYEWASH TANKS. IT BALANCES THE pH OF THE WATER, PREVENTING THE BUILDUP OF BIOFILM, SCALE, AND CORROSION FOR UP TO 3 YEARS WITH PROPER USAGE.
- INSTALLATION:** DO NOT OPEN THE SEALED BAG AROUND THE CLEANSING STICK UNTIL YOU ARE READY TO INSTALL IT. THE 3-YEAR OPERATIONAL LIFE OF THE CLEANSING STICK BEGINS WHEN THE SEALED BAG IS OPENED, NOT WHEN THE CLEANSING STICK IS FIRST IMMERSED INTO WATER. THE CLEANSING STICK SHOULD BE FULLY IMMERSED IN THE WATER TO BE TREATED. SUSPEND IT IN THE WATER BY MEANS OF THE INTEGRAL STRING, PREFERABLY SUCH THAT IT DOES NOT TOUCH THE SIDES OR BOTTOM OF THE TANK.

THESE VOLUME GUIDELINES WILL DICTATE HOW MANY CLEANSING STICKS YOU WILL NEED TO FULLY PROTECT THE WATER IN YOUR PRODUCT:

- 0-15.8 GALLONS (0-60 LITERS):** 1 CLEANSING STICK
 - EXAMPLE: HAWS 7500 & 7501 PRODUCT FAMILIES, WHEN FILLED AS DIRECTED
 - NOTE PRODUCT DIAMETER. THIS PRODUCT WILL NOT INSTALL INTO THE HAWS MODEL 7603.
- 15.9-31.7 GALLONS (61-120 LITERS):** 2 CLEANSING STICKS
 - EXAMPLE: HAWS MODEL 7601.37, WHEN FILLED AS DIRECTED
 - FOR UNITS LIKE THE HAWS MODEL 7601.37, THE MOUNTING STRING MAY BE SECURED WITH A SUITABLE TAPE TO THE INSIDE SURFACE OF THE FILL CAP

WHEN INSTALLING THIS UNIT, LOCAL, STATE, AND FEDERAL CODES SHOULD BE FOLLOWED.

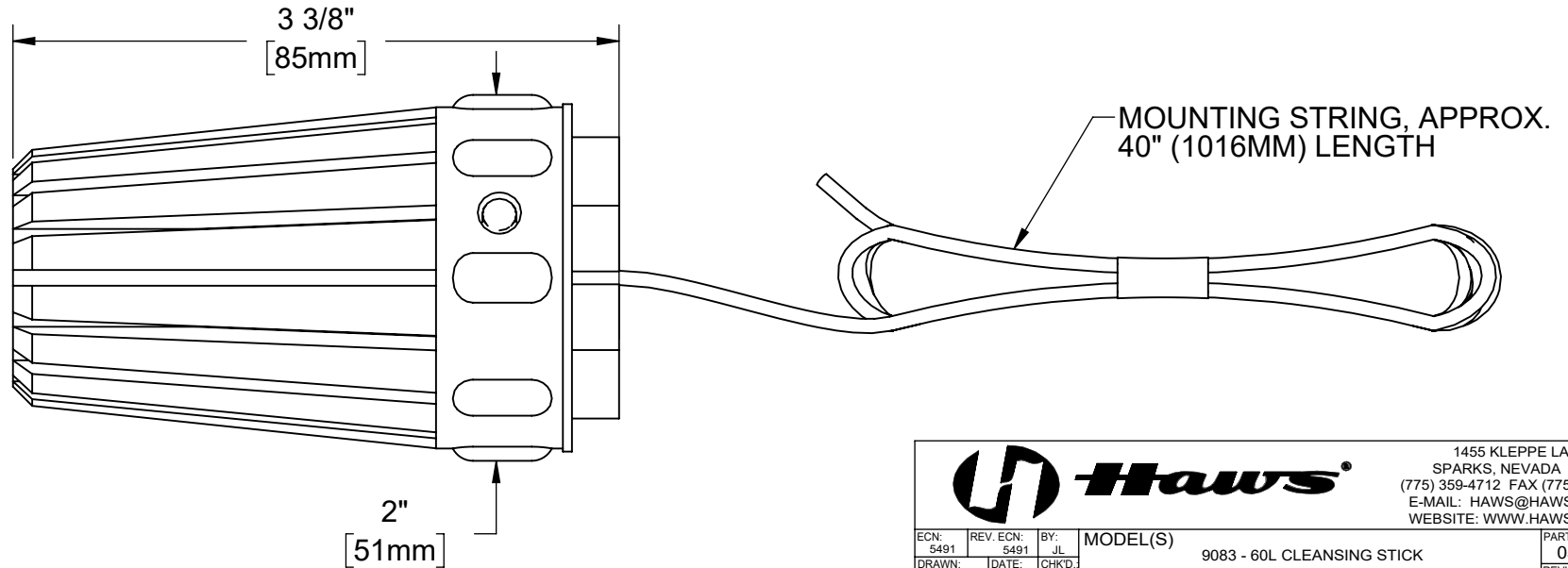
FAILURE TO FOLLOW INSTALLATION INSTRUCTIONS MAY VOID WARRANTY.

- MAINTENANCE:** DEPENDING ON THE AMOUNT OF SEDIMENT GENERALLY EXPERIENCED WITH THE PARTICULAR SUPPLY TO THE TANK, THE UNIT SHOULD BE INSPECTED ON AT LEAST A 6-MONTH OR ANNUAL BASIS. IN THE EVENT OF A BUILD-UP OF SEDIMENT, THE CLEANSING STICK SHOULD BE THOROUGHLY WASHED IN CLEAN WATER (UNDER PRESSURE WHERE POSSIBLE).

IN SOME RARE CONDITIONS, A FILM MAY COAT THE SURFACE OF THE MEDIA. THIS MAY HAVE A SLIGHT EFFECT ON PERFORMANCE, AND THE CLEANSING STICK SHOULD THEREFORE BE IMMERSED IN ACETIC ACID (VINEGAR IS A COMMON FORMAT) FOR A MINIMUM OF 30 MINUTES TO REMOVE THE FILM. AFTER RINSING WITH WATER, THE CLEANSING STICK CAN THEN BE RETURNED TO THE TANK.

WHEN INSTALLED CORRECTLY, THE CLEANSING STICK WILL PROVIDE THE PROTECTION REQUIRED. HOWEVER, HAWS ADVISES THAT ALL SYSTEMS BE REGULARLY MONITORED, FOR WHICH PURPOSE ATP (ADENOSINE TRIPHOSPHATE) TESTING IS RECOMMENDED TO ENABLE ACCURATE AND RAPID IN-HOUSE MONITORING.

WARNING: THE CLEANSING STICK MUST BE SECURED AWAY FROM THE EYEWASH PLUMBING INLET, SO THAT IT CANNOT OBSTRUCT THE FLOW OF WATER TO THE EYEWASH. OBSTRUCTED FLOW CAN IMPEDE BOTH THE EYEWASH'S FUNCTIONALITY AND ITS ANSI COMPLIANCE, POTENTIALLY LEADING TO SERIOUS INJURY. IT IS THE RESPONSIBILITY OF THE CUSTOMER TO ENSURE THAT THE CLEANSING STICK DOES NOT, EITHER UPON INSTALLATION OR AFTERWARD, OBSTRUCT THE EYEWASH FLOW.



			1455 KLEPPE LANE SPARKS, NEVADA 89431 (775) 359-4712 FAX (775) 359-7424 E-MAIL: HAWS@HAWSO.COM WEBSITE: WWW.HAWSO.COM	
			ECN: 5491 REV. ECN: 5491 DRAWN: JL APPROVED: JL	BY: JL CHKD: FV DATE: 03/03/20
SCALE: 1:1		DRAWING TYPE: INSTALLATION		SIZE: A