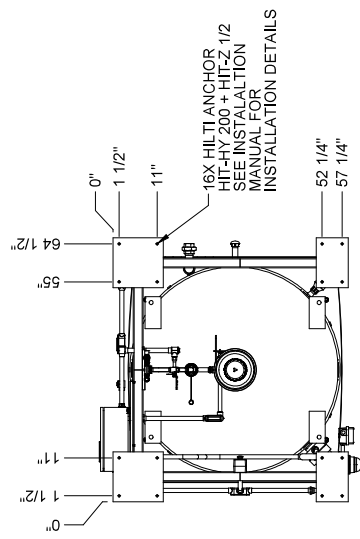
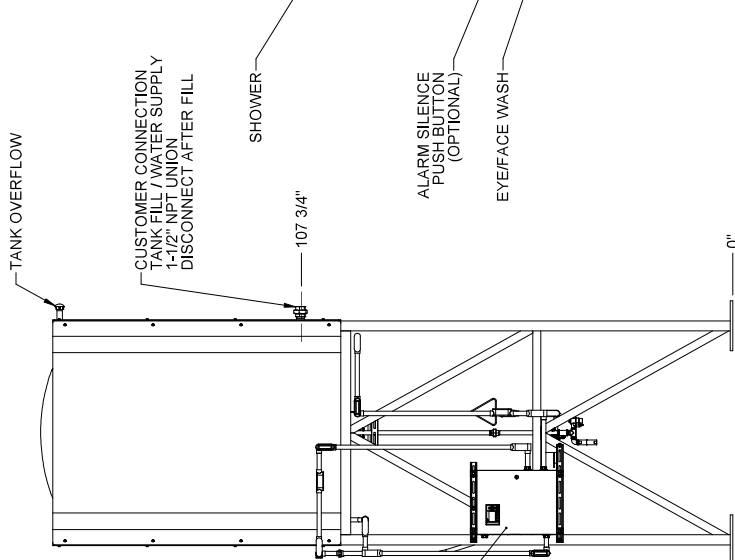
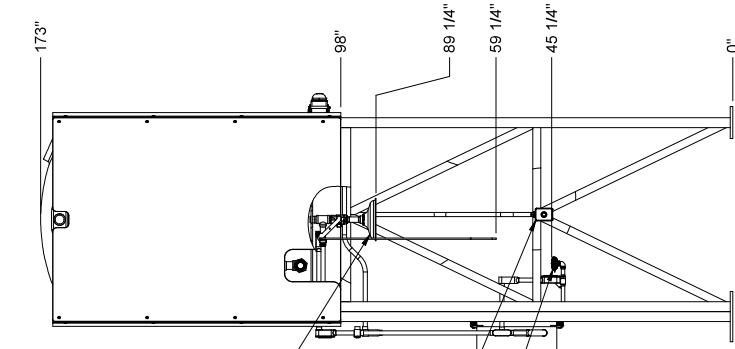
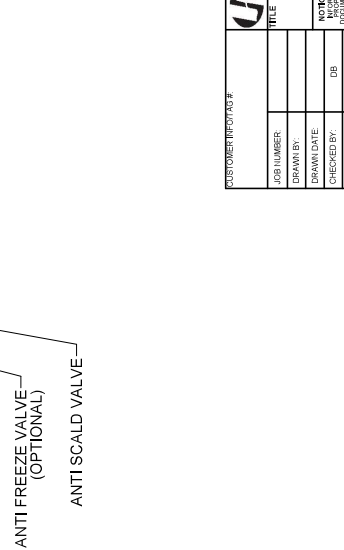
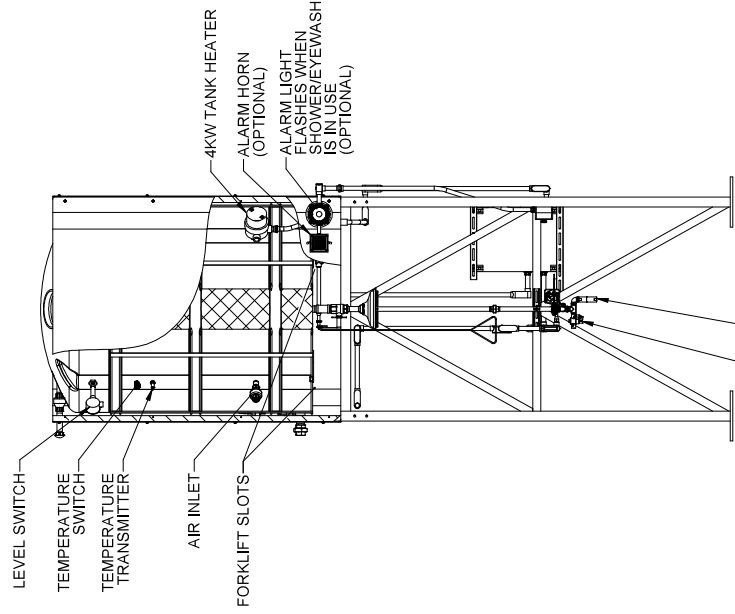
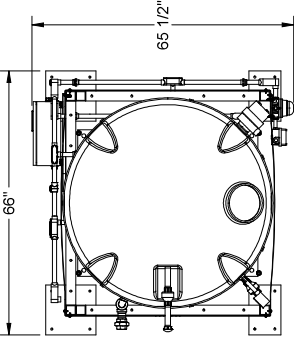


REV	DESCRIPTION	DATE	BY
1	INITIAL RELEASE	11/02/2020	PR



- NOTES:
1. DIMENSIONS IN INCHES
  2. ALL TOLERANCES:  $\pm 1/2"$
  3. ESTIMATED WEIGHT:  
 DRY: 1500 LBS  
 WET: 5920 LBS
  4. AREA CLASSIFICATION: ORDINARY
  5. AVAILABLE AMBIENT TEMPERATURE RANGE: 35°F - 120°F
  6. RATINGS: CONFIGURABLE WITH TYPE 4/4X JUNCTION BOX FOR INDOOR LOCATION
  7. NOT ALL FEATURES ARE STANDARD

CONTROL PANEL  
 SEE 0580001085-D-DEL  
 FOR WIRING AND  
 ELECTRICAL SERVICE  
 DETAILS

**Haws** 1455 KLEPPE LANE  
 SPARKS, NEVADA 89431

**INDOOR OVERHEAD TANK  
 COMBINATION SHOWER**

NOTE OF PROPRIETARY INFORMATION: THIS ANGLE PROJECTION INDICATES DIMENSIONS IN THE SIDE VIEW. DIMENSIONS IN THIS VIEW ARE FOR INFORMATION ONLY AND SHOULD NOT BE USED FOR FABRICATION OF THIS PRODUCT. WHICH IS THE PROPERTY OF Haws CORPORATION.

CUSTOMER PART #	
JOB NUMBER	
DRAWN BY	
CHECKED BY	DB
CHECKED DATE	08/20/20
APPROVED BY	DB
APPROVAL DATE	08/20/20

SCALE: 1/2" = 1'-0"

TITLE: C 0580001085-D-GA REV. 1