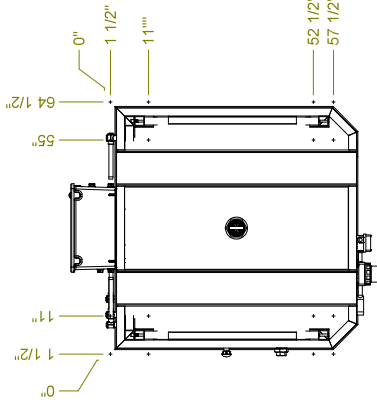
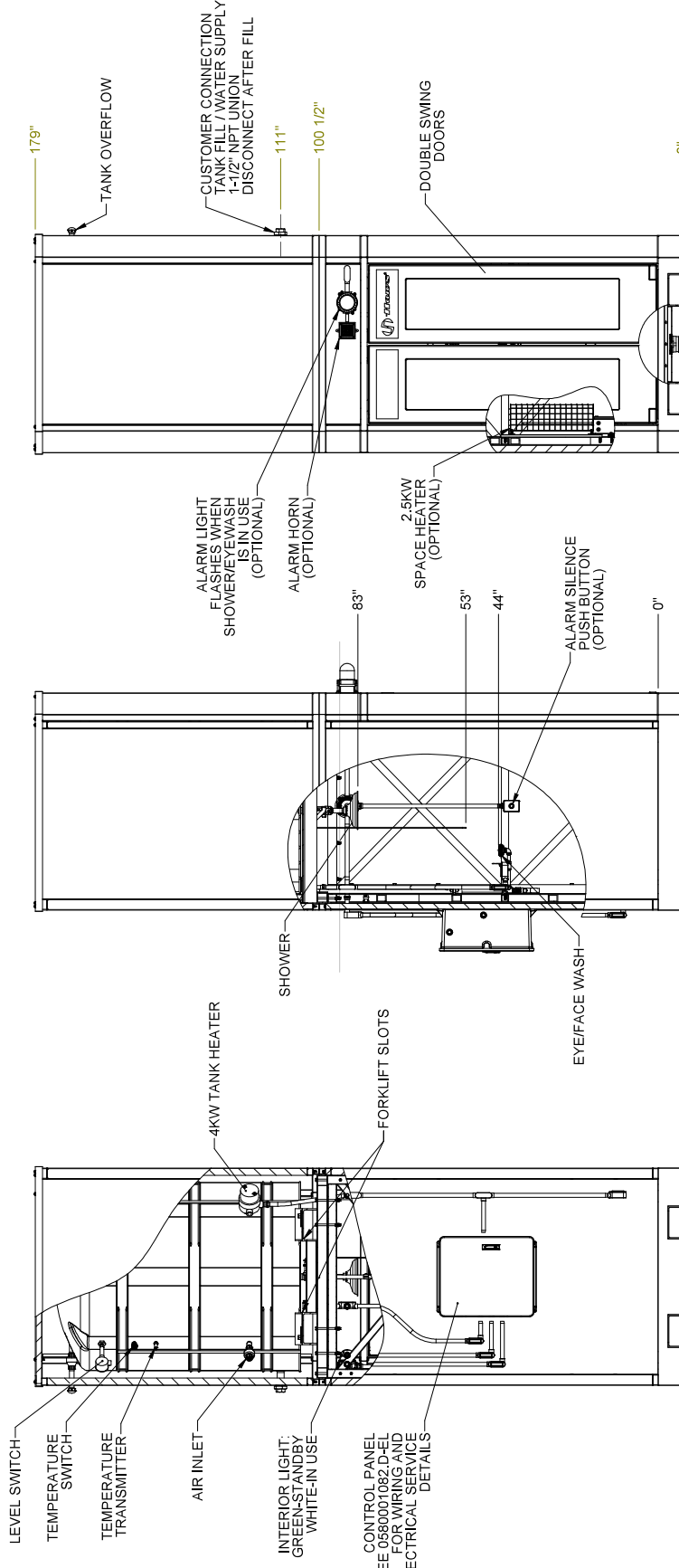
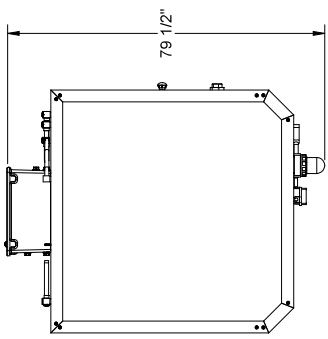


REV	DESCRIPTION	DATE	BY

REV	DESCRIPTION	DATE	BY

- NOTES:
1. DIMENSIONS IN US INCHES
 2. ALL TOLERANCES: $\pm 1/2"$
 3. ESTIMATED WEIGHT:
WET: 6900 LBS
DRY: 2500 LBS
 4. AREA CLASSIFICATION: ORDINARY
 5. AVAILABLE AMBIENT TEMPERATURE RANGE: -50°F - 120°F
 6. RATINGS: CONFIGURABLE WITH TYPE 4/4X JUNCTION BOX FOR INDOOR OR OUTDOOR LOCATION
 7. NOT ALL FEATURES ARE STANDARD



THE ATTACHED DESIGNS ARE CONSIDERED TRADE SECRETS AND POTENTIALLY PATENTABLE. IN ACCORDANCE WITH CONFIDENTIALITY AND NON-DISCLOSURE AGREEMENT, THESE DESIGNS IN ACTUAL OR CONCEPTUAL FORMS CANNOT BE DISCLOSED, REPRODUCED OR USED WITHOUT HAWS EXPRESS WRITTEN CONSENT.

Haws 1455 KLEPPE LANE SPARKS, NEVADA 89431

CUSTOMER PARTING # _____ TITLE _____

JOB NUMBER	
DRAWN BY	
CHECKED BY	
APPROVED BY	
DRAWN DATE	
CHECKED DATE	
APPROVED DATE	

NOTE: ALL DIMENSIONS UNLESS OTHERWISE SPECIFIED ARE IN INCHES. DIMENSIONS IN PARENTHESES ARE FOR INFORMATION ONLY. DIMENSIONS IN SQUARE BRACKETS ARE FOR INFORMATION ONLY. DIMENSIONS IN PARENTHESES ARE FOR INFORMATION ONLY.

SCALE: 1/2" = 1'-0" PART 1/0 0580001082-D-GA REV. 1