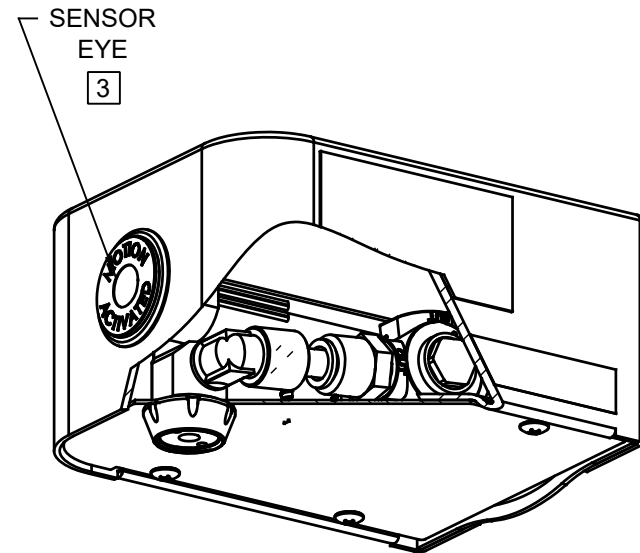


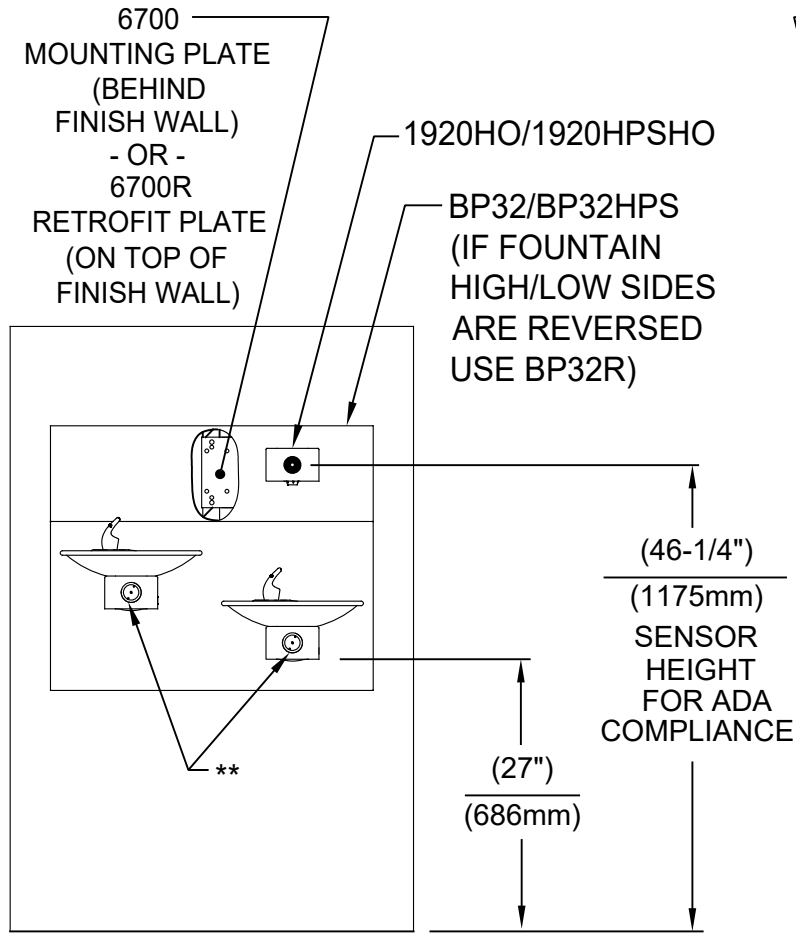
1920HO SERIES MOUNTING HOLE LOCATIONS  
(3/8"-16 UNC MOUNTING HARDWARE NOT SUPPLIED)



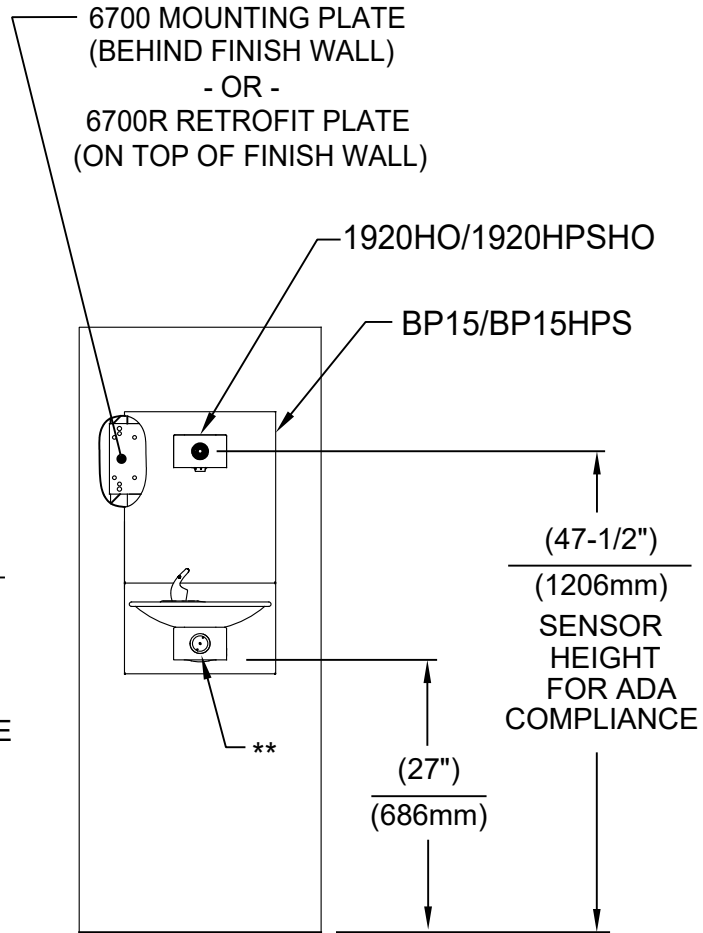
NOTES:

1. SEE SEPARATE INSTALLATION DRAWINGS FOR MOUNTING PLATES AND BACKPANELS
2. WHEN INSTALLING THIS UNIT, LOCAL, STATE OR FEDERAL CODES SHOULD BE ADHERED TO FOR INSTALLATION LOCATIONS, WASTE AND SUPPLY REQUIREMENTS OTHER THAN SHOWN.
- 3 REFER TO 1RKHO.H OPERATION & MAINTENANCE INSTRUCTIONS FOR SENSOR SETUP.

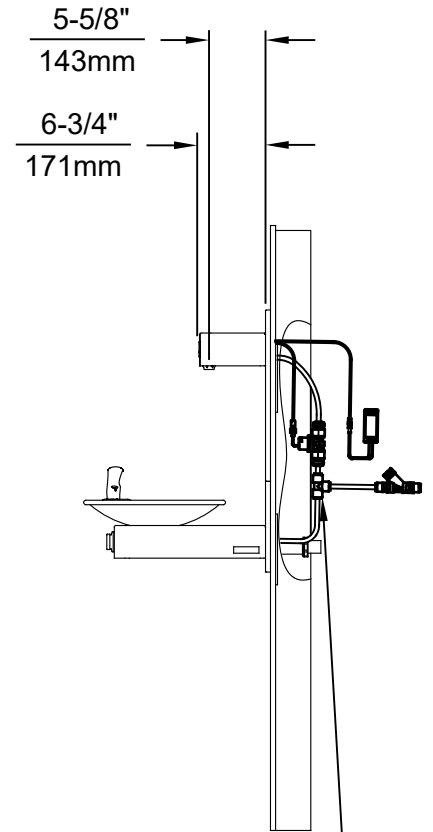
		<b>Haws®</b>		1455 KLEPPE LANE	
				SPARKS, NEVADA 89431	
ECN NO. 5574		REVISED PER BY: FV		PART NUMBER	
DRAWN: FV		DATE: 08/18/20		0510001063.D	
APPROVED: FV		DATE: 10/11/21		REVISION	
		MODEL(S)		5	
		1920HO/1920HPSHO/1920WHO		SCALE: N/A	
		DRAWING TYPE: INSTALLATION		SIZE: A	
				SHEET 1 OF 7	



**INSTALLATION ABOVE HAWS 1011 & H1011.8 SERIES**

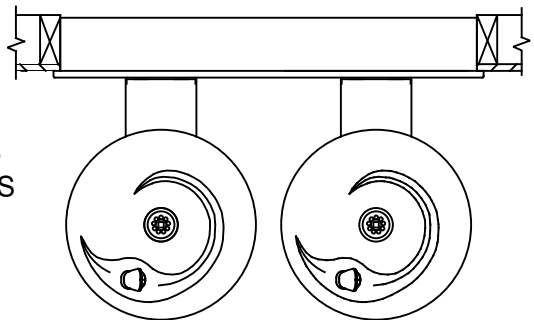


**INSTALLATION ABOVE HAWS 1001 & H1001.8 SERIES**



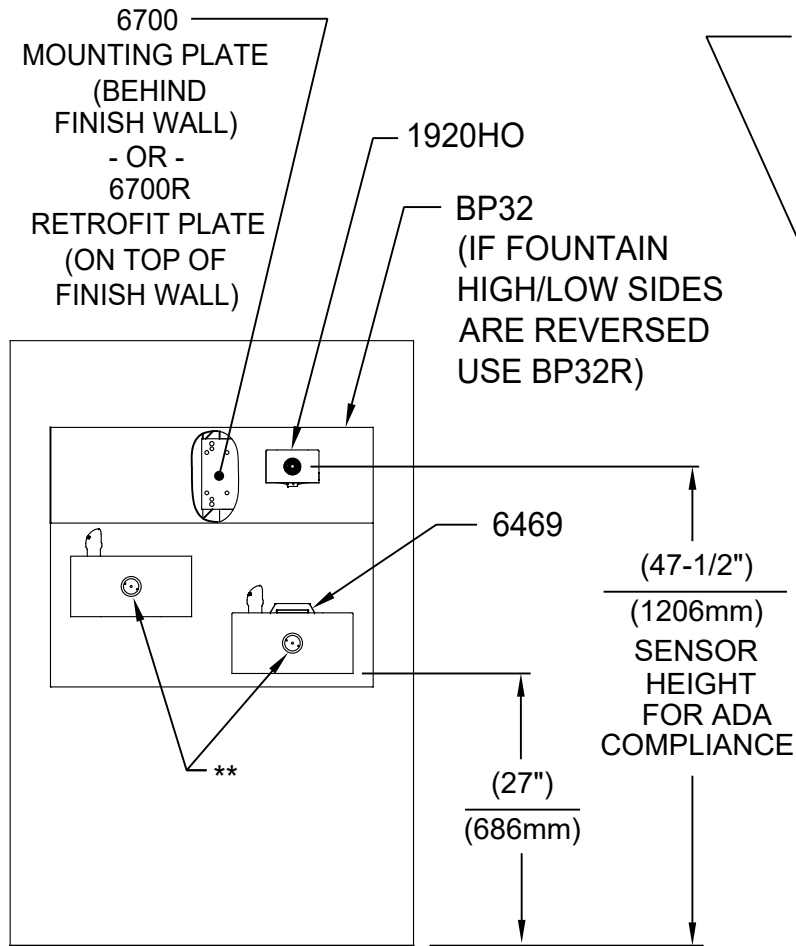
\* IF YOUR FOUNTAIN IS THIS STYLE USE THESE DIMENSIONS

1. SEE SEPARATE INSTALLATION DRAWINGS FOR MOUNTING PLATES AND BACKPANELS
2. WHEN INSTALLING THIS UNIT, LOCAL, STATE OR FEDERAL CODES SHOULD BE ADHERED TO FOR INSTALLATION LOCATIONS, WASTE & SUPPLY REQUIREMENTS OTHER THAN SHOWN.

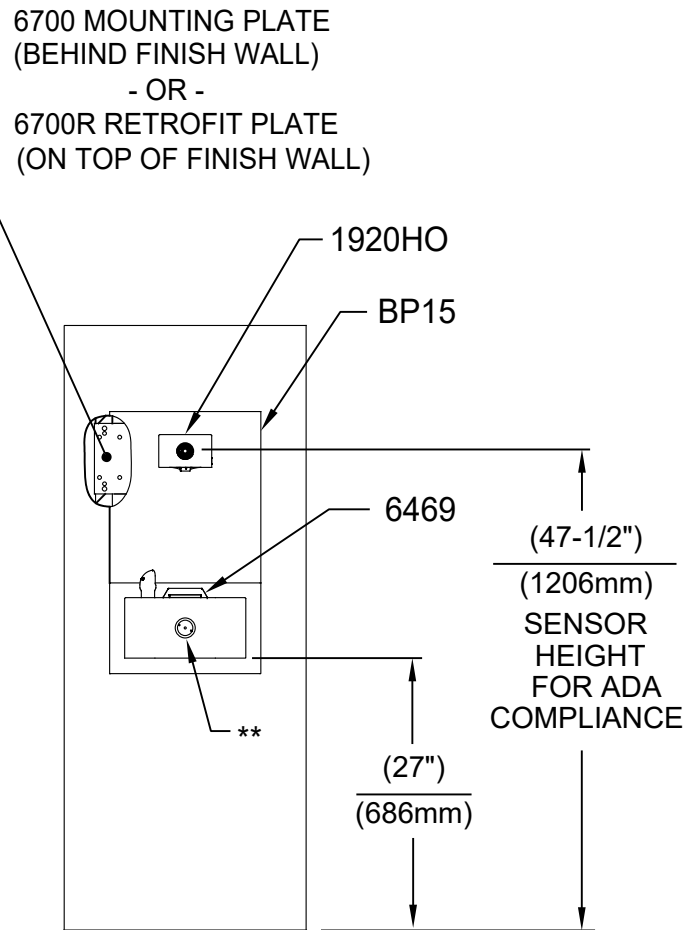


\*\* EXISTING PUSH BUTTON ASSEMBLY SHOWN, CAN BE CONVERTED TO HANDS OFF STYLE, USING RETROFIT KIT MODEL 1RKHO.H OR 2RKHO.H DEPENDING ON CUSTOMER REQUIREMENTS.

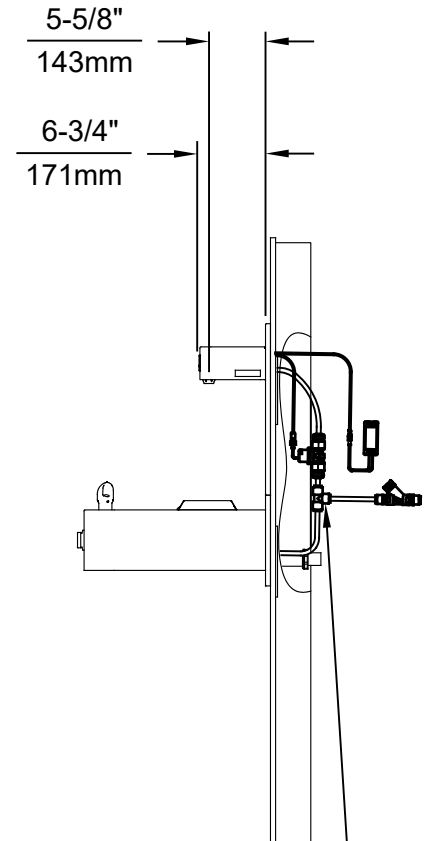
		1455 KLEPPE LANE SPARKS, NEVADA 89431 (775) 359-4712 FAX (775) 359-7424 E-MAIL: HAWS@HAWS.CO.COM WEBSITE: WWW.HAWS.CO.COM	
ECN NO. 5574 DRAWN: FV APPROVED: FV	REVISED PER: ECN: 5744 DATE: 08/18/20 DATE: 10/11/21	BY: FV CHKD.: BJM	MODEL(S) 1920HO/1920HPSHO/1920WHO
PART NUMBER 0510001063.D			REVISION 5
SCALE: N/A		DRAWING TYPE: INSTALLATION	SIZE: A SHEET 2 OF 7



**INSTALLATION ABOVE HAWS 1119 & H1119.8 SERIES**

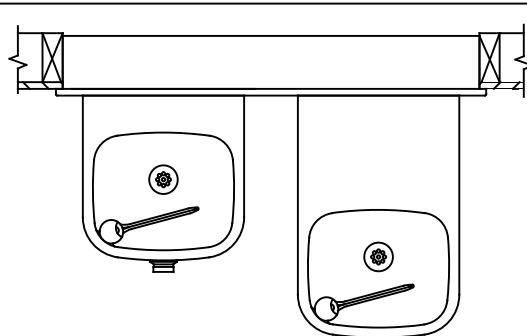


**INSTALLATION ABOVE HAWS 1109 & H1109.8 SERIES**



\* IF YOUR FOUNTAIN IS THIS STYLE USE THESE DIMENSIONS

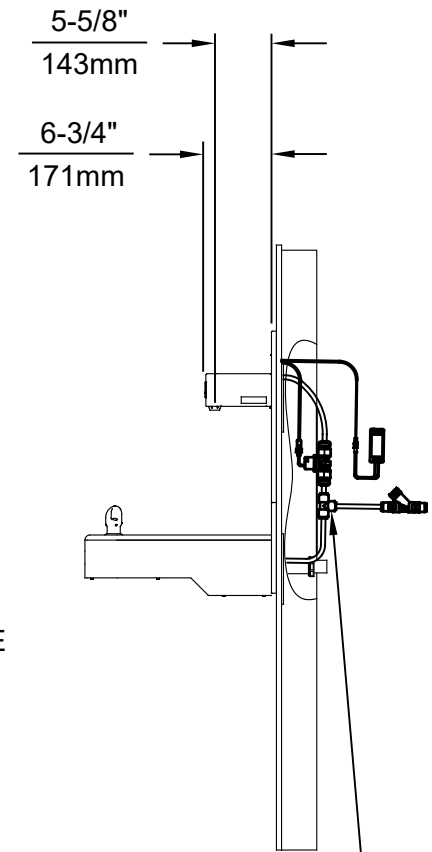
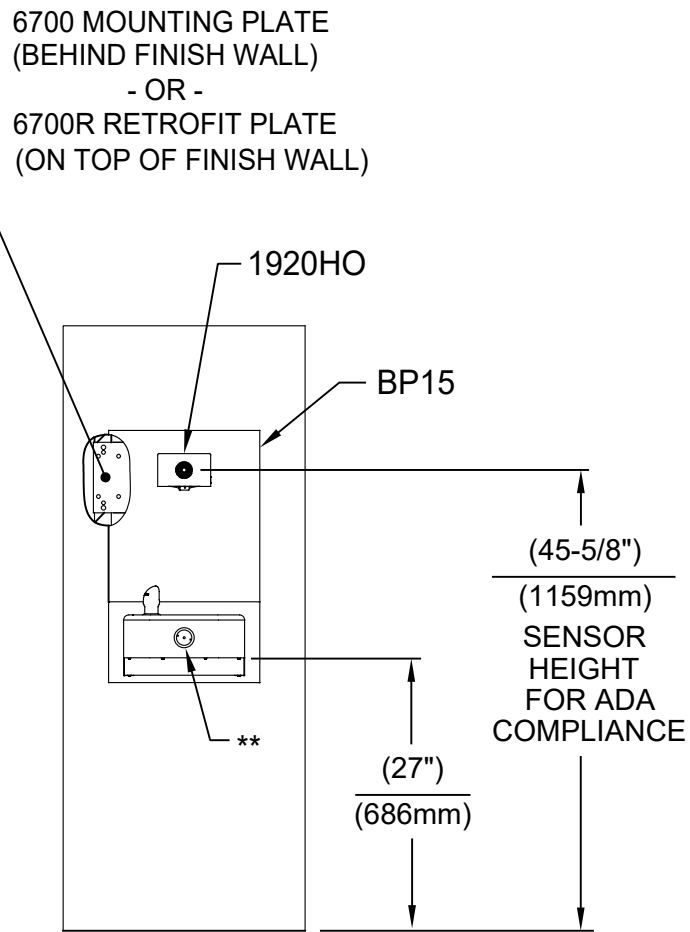
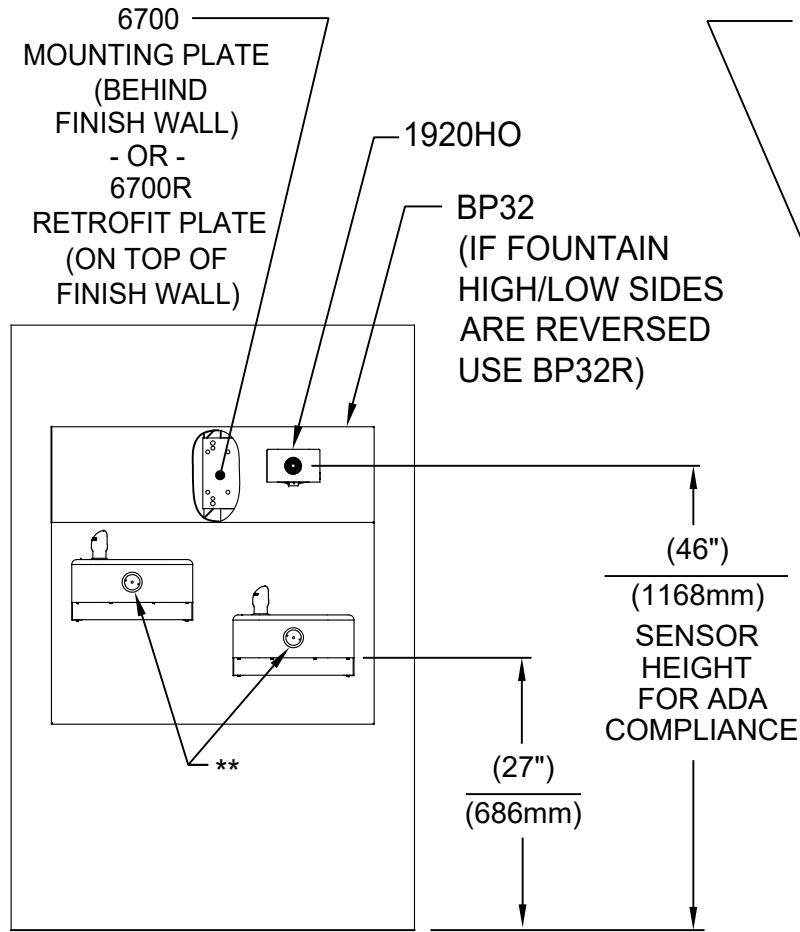
1. SEE SEPARATE INSTALLATION DRAWINGS FOR MOUNTING PLATES, BACKPANELS & DRIP TRAY
2. WHEN INSTALLING THIS UNIT, LOCAL, STATE OR FEDERAL CODES SHOULD BE ADHERED TO FOR INSTALLATION LOCATIONS, WASTE & SUPPLY REQUIREMENTS OTHER THAN SHOWN.



\*\* EXISTING PUSH BUTTON ASSEMBLY SHOWN, CAN BE CONVERTED TO HANDS OFF STYLE, USING RETROFIT KIT MODEL 1RKHO.H OR 2RKHO.H DEPENDING ON CUSTOMER REQUIREMENTS.

3/8" O.D. SUPPLY TUBING AND 3/8" O.D. PUSH-IN TEE SUPPLIED. (CONNECT TO FOUNTAIN SUPPLY LINE)

		1455 KLEPPE LANE SPARKS, NEVADA 89431 (775) 359-4712 FAX (775) 359-7424 E-MAIL: HAWS@HAWS.CO.COM WEBSITE: WWW.HAWS.CO.COM	
ECN NO. 5574 DRAWN: FV APPROVED: FV	REVISED PER: ECN: 5744 DATE: 08/18/20 DATE: 10/11/21	BY: FV CHKD.: BJM	MODEL(S) 1920HO/1920HPSHO/1920WHO
PART NUMBER 0510001063.D			REVISION 5
SCALE: N/A		DRAWING TYPE: INSTALLATION	SIZE: A SHEET 3 OF 7

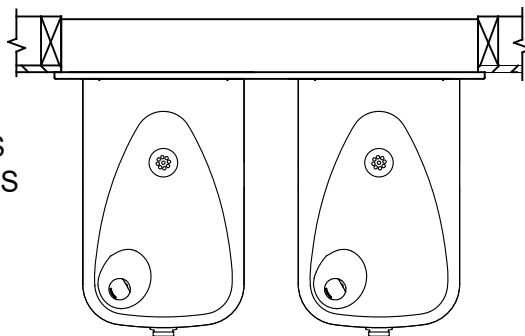


**INSTALLATION ABOVE HAWS 1117L,  
1117LN, H1117.8 & H1117LN.8**

**INSTALLATION ABOVE HAWS 1107L & H1107.8 SERIES**

\* IF YOUR FOUNTAIN IS THIS STYLE USE THESE DIMENSIONS

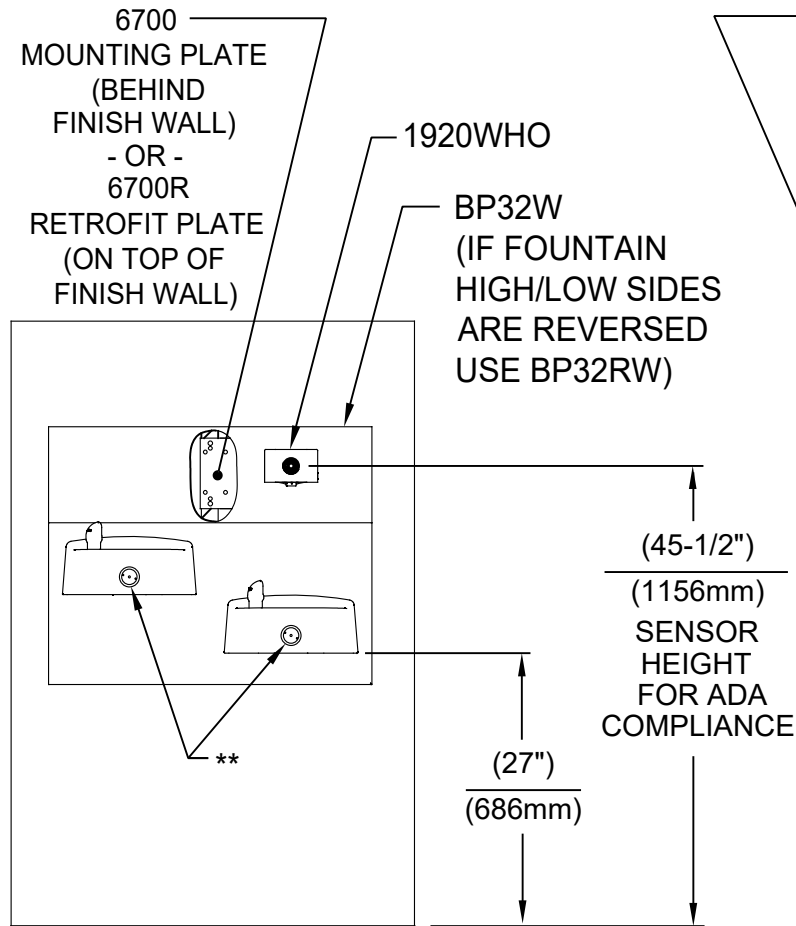
1. SEE SEPARATE INSTALLATION DRAWINGS FOR MOUNTING PLATES AND BACKPANELS
2. WHEN INSTALLING THIS UNIT, LOCAL, STATE OR FEDERAL CODES SHOULD BE ADHERED TO FOR INSTALLATION LOCATIONS, WASTE & SUPPLY REQUIREMENTS OTHER THAN SHOWN.



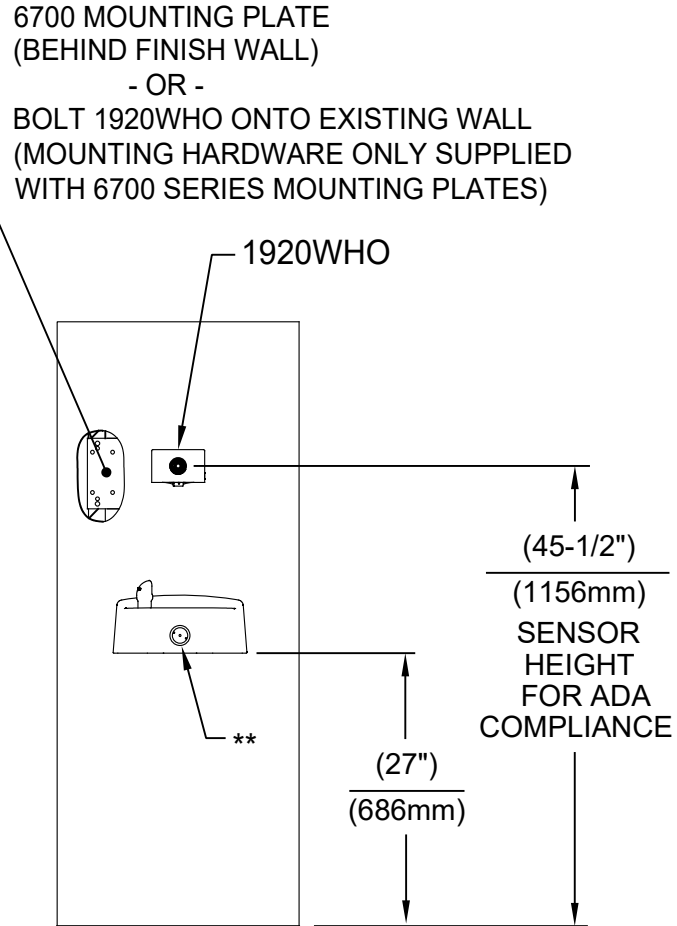
\*\* EXISTING PUSH BUTTON ASSEMBLY SHOWN, CAN BE CONVERTED TO HANDS OFF STYLE, USING RETRO-FIT KIT MODEL 1RKHO.H OR 2RKHO.H DEPENDING ON CUSTOMER REQUIREMENTS.

3/8" O.D. SUPPLY TUBING AND 3/8" O.D. PUSH-IN TEE SUPPLIED. (CONNECT TO FOUNTAIN SUPPLY LINE)

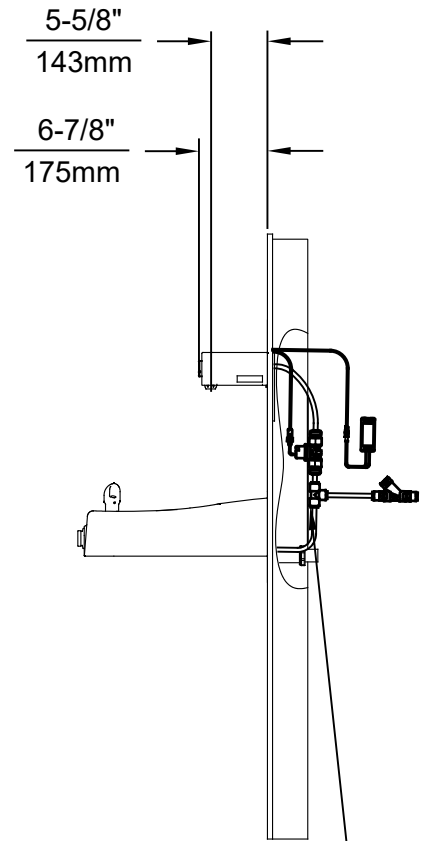
		1455 KLEPPE LANE SPARKS, NEVADA 89431 (775) 359-4712 FAX (775) 359-7424 E-MAIL: HAWS@HAWS.CO.COM WEBSITE: WWW.HAWS.CO.COM	
ECN NO. 5574 DRAWN: FV APPROVED: FV	REVISED PER: FV ECN: 5744 DATE: 08/18/20 DATE: 10/11/21	MODEL(S) 1920HO/1920HPSHO/1920WHO	PART NUMBER 0510001063.D REVISION 5
SCALE: N/A		DRAWING TYPE: INSTALLATION	SIZE: A SHEET 4 OF 7



**INSTALLATION ABOVE HAWS 1501**

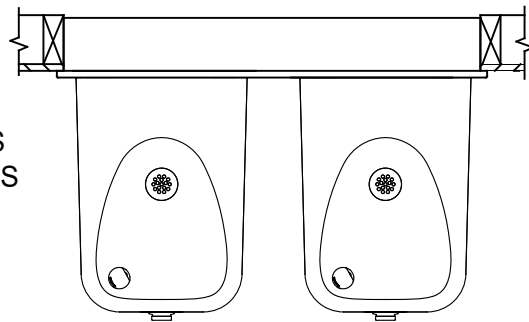


**INSTALLATION ABOVE HAWS 1311**



\* IF YOUR FOUNTAIN IS THIS STYLE USE THESE DIMENSIONS

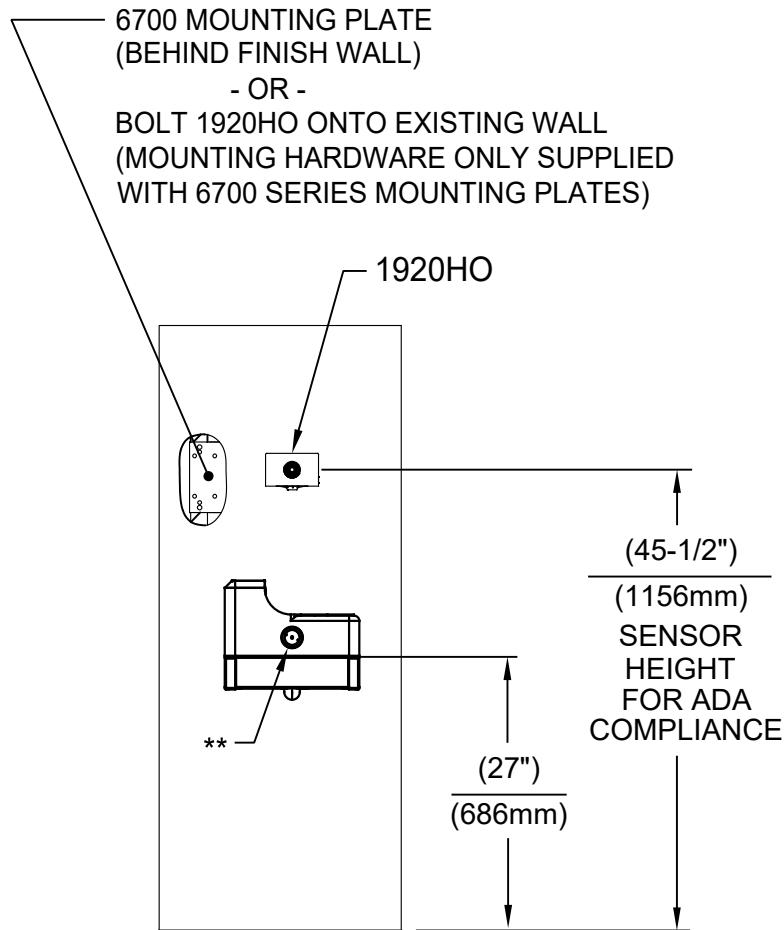
1. SEE SEPERATE INSTALLATION DRAWINGS FOR MOUNTING PLATES AND BACKPANELS
2. WHEN INSTALLING THIS UNIT, LOCAL, STATE OR FEDERAL CODES SHOULD BE ADHERED TO FOR INSTALLATION LOCATIONS, WASTE & SUPPLY REQUIREMENTS OTHER THAN SHOWN.



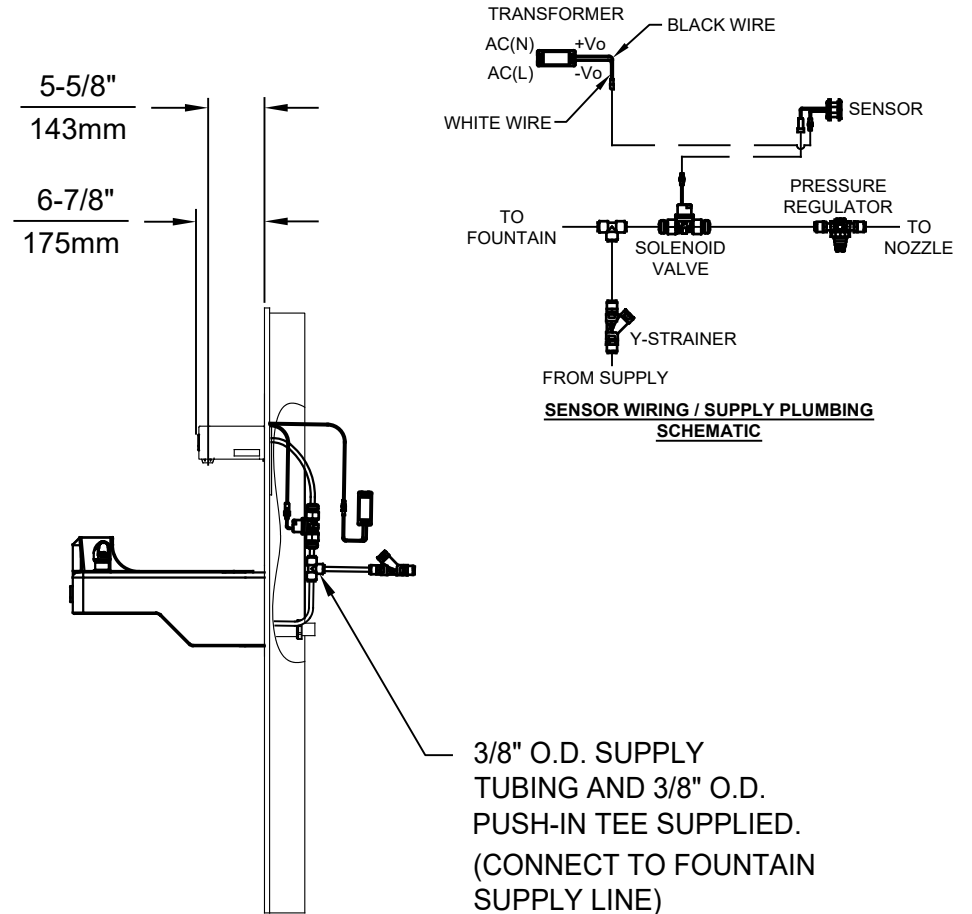
\*\* EXISTING PUSH BUTTON ASSEMBLY SHOWN, CAN BE CONVERTED TO HANDS OFF STYLE, USING RETROFIT KIT MODEL 1RKHO.H OR 2RKHO.H DEPENDING ON CUSTOMER REQUIREMENTS.

3/8" O.D. SUPPLY TUBING AND 3/8" O.D. PUSH-IN TEE SUPPLIED. (CONNECT TO FOUNTAIN SUPPLY LINE)

		1455 KLEPPE LANE SPARKS, NEVADA 89431 (775) 359-4712 FAX (775) 359-7424 E-MAIL: HAWS@HAWS.CO.COM WEBSITE: WWW.HAWS.CO.COM	
ECN NO. 5574 DRAWN: FV APPROVED: FV	REVISED PER: FV ECN: 5744 DATE: 08/18/20 DATE: 10/11/21	MODEL(S) 1920HO/1920HPSHO/1920WHO	PART NUMBER 0510001063.D REVISION 5
SCALE: N/A		DRAWING TYPE: INSTALLATION	SIZE: A SHEET 5 OF 7



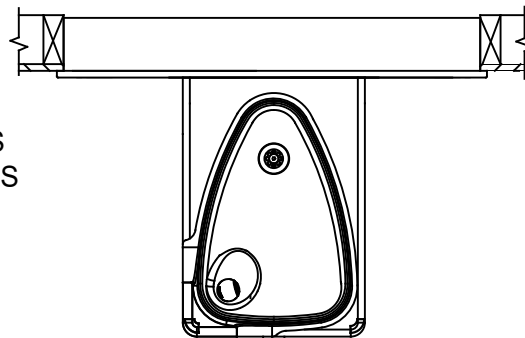
**INSTALLATION ABOVE HAWS 1047**



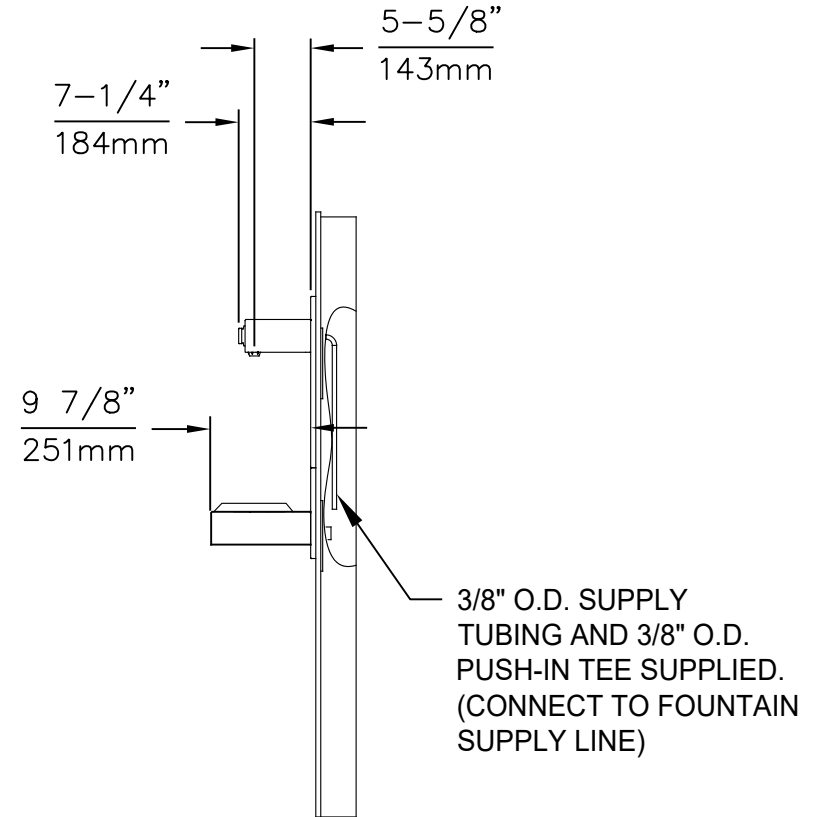
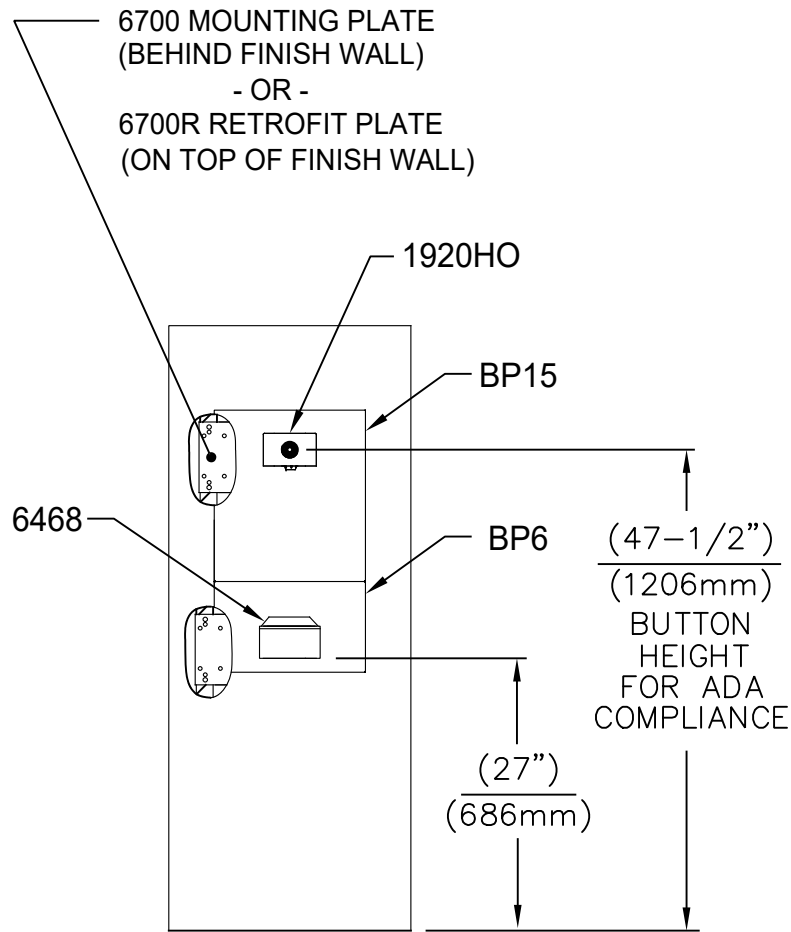
\*\* EXISTING PUSH BUTTON  
ASSEMBLY SHOWN, CAN  
BE CONVERTED TO HANDS  
OFF STYLE, USING RETRO-  
FIT KIT MODEL 1RKHO.H.

\* IF YOUR FOUNTAIN IS THIS STYLE USE  
THESE DIMENSIONS

1. SEE SEPERATE INSTALLATION DRAWINGS  
FOR MOUNTING PLATES AND BACKPANELS
2. WHEN INSTALLING THIS UNIT, LOCAL,  
STATE OR FEDERAL CODES SHOULD  
BE ADHERED TO FOR INSTALLATION  
LOCATIONS, WASTE & SUPPLY  
REQUIREMENTS OTHER THAN SHOWN.



		1455 KLEPPE LANE SPARKS, NEVADA 89431 (775) 359-4712 FAX (775) 359-7424 E-MAIL: HAWS@HAWS.CO.COM WEBSITE: WWW.HAWS.CO.COM	
ECN NO. 5574	REVISED PER ECN: 5744	BY: FV	MODEL(S) 1920HO/1920HPSHO/1920WHO
DRAWN: FV	DATE: 08/18/20	CHKD.: BJM	PART NUMBER 0510001063.D
APPROVED: FV	DATE: 10/11/21	SCALE: N/A	REVISION 5
DRAWING TYPE: INSTALLATION		SIZE: A	SHEET 6 OF 7



**INSTALLATION ABOVE 6468**

1. SEE SEPARATE INSTALLATION DRAWINGS FOR MOUNTING PLATES AND BACKPANELS
2. WHEN INSTALLING THIS UNIT, LOCAL, STATE OR FEDERAL CODES SHOULD BE ADHERED TO FOR INSTALLATION LOCATIONS, WASTE & SUPPLY REQUIREMENTS OTHER THAN SHOWN.

		1455 KLEPPE LANE SPARKS, NEVADA 89431 (775) 359-4712 FAX (775) 359-7424 E-MAIL: HAWS@HAWS.CO.COM WEBSITE: WWW.HAWS.CO.COM	
ECN NO. 5744	REVISED PER ECN: 5744	BY: FV	MODEL(S) 1920HO/1920HPSHO/1920WHO
DRAWN: FV	DATE: 10/04/21	CHK'D: BJM	PART NUMBER 0510001063.D
APPROVED: FV	DATE: 10/11/21	SCALE: N/A	REVISION 1
DRAWING TYPE: INSTALLATION		SIZE: A	SHEET 7 OF 7