



# INSTALLATION, OPERATION & MAINTENANCE INSTRUCTIONS

1455 Kleppe Lane ♦ Sparks, NV 89431-6467 ♦ (775) 359-4712 ♦ Fax (775) 359-7424  
E-mail: [haws@hawsco.com](mailto:haws@hawsco.com) ♦ website: [www.hawsco.com](http://www.hawsco.com)

No. 0510001063 (5)

## Model 1920HO/1920HPSHO/1920WHO Hands-Off Bottle Filler

**NOTE TO INSTALLER:** Please leave this information with the Maintenance Department.

**CAUTION!** Prior to making any electrical connections, verify with a voltmeter that power from the service panel is **off**.

### LIMITED WARRANTY

*HAWS* warrants that all of its products are guaranteed against defective material or poor workmanship for a period of **one year from the date of shipment**. The foregoing notwithstanding, *HAWS* warrants certain specific products or components thereof for an adjusted period. A list of these excepted products and components and a description of their respective warranty terms may be found here: [www.hawsco.com/warranty](http://www.hawsco.com/warranty). *HAWS'* liability under this warranty shall be discharged by furnishing without charge F.O.B. *HAWS* factory any goods, or part thereof, which shall appear to the Company upon inspection to be of defective material or not of first-class workmanship, provided that a claim is made in writing to Company within a reasonable period after receipt of the product. Where claims for defects are made, the defective part or parts shall be delivered to the Company, prepaid, for inspection. *HAWS* shall not be liable for the cost of repairs, alterations or replacements, or the labor required to implement them, or for any expense connected therewith made by the owner or owner's agents, except upon written authority from *HAWS*. *HAWS* shall not be liable for any damages caused by defective materials or poor workmanship, except for replacements, as provided above. Buyer agrees that *HAWS* has made no other warranties either express or implied in addition to those above stated, except that of title with respect to any of the products or equipment sold hereunder and that *HAWS* shall not be liable for general, special, incidental, or consequential damages claimed to arise under the contract of sale.

Equipment manufactured by *HAWS* is warranted to function if installation and maintenance instructions provided are adhered to. The units also must be used for the purpose for which they were intended. Any *HAWS* emergency equipment is intended to supplement first-aid treatment. Due to widely varying conditions, *HAWS* cannot guarantee that the use of this emergency equipment will prevent serious injury or the aggravation of existing or prior injuries.

**EXCEPT AS EXPRESSLY STATED HEREIN, HAWS HEREBY DISCLAIMS ALL WARRANTIES, WHETHER EXPRESS OR IMPLIED, ARISING BY LAW OR OTHERWISE, INCLUDING WITHOUT LIMITATION, ANY IMPLIED WARRANTIES OF MERCHANTABILITY AND FITNESS FOR A PARTICULAR PURPOSE. THIS WARRANTY MAY NOT BE MODIFIED OR EXTENDED WITHOUT THE WRITTEN CONSENT OF HAWS. REMEDIES AND REPLACEMENTS STATED HEREIN ARE EXCLUSIVE. IN NO EVENT SHALL HAWS BE LIABLE FOR ANY SPECIAL, PUNITIVE, CONSEQUENTIAL OR INCIDENTAL DAMAGES TO ANY PERSON INCLUDING BUT NOT LIMITED TO DAMAGES FOR LOSS OF USE OR PROFITS, SUBSTITUTE PRODUCTS OR COSTS, PROPERTY DAMAGE, OR OTHER MONETARY LOSS.**

**SHOULD YOU EXPERIENCE DIFFICULTY WITH THE INSTALLATION OF THIS MODEL PLEASE CALL:**

**TECHNICAL SUPPORT: 1-800-766-5612**  
**FOR CUSTOMER SERVICE: 1-888-640-4297**

**REQUIRED TOOLS:** Screwdriver, 3/32" and 5/32" hex key set, adjustable wrench or socket.

**LOCATION OF UNIT:** The Model 1920HO/1920HPSHO/1920WHO bottle filler water dispenser can be installed in various applications. Possible installations include indoor over an existing drinking fountain, outdoor over an existing fountain, or a standalone wall-mounted bottle filler. When installing this unit, local, state or federal codes should be adhered to.

**SUPPLY LINE:** The minimum recommended line size is 3/8" O.D. copper or plastic tubing with 30-90 psi (2-6 ATM) pressure. Where sediment or mineral content is a problem, an inlet filter is recommended.

**PLUMBING CONNECTIONS:** Inlet is 3/8" O.D. push-in type fitting.

**ELECTRICAL CONNECTIONS:** Bottle filler may be mounted on external wall of building provided transformer shall be mounted inside the wall and protected from water per NEC/CEC and local code.

**Sensor:** 1920HO with 1RKHO.H: 100-277VAC x 9VDC, 50-60Hz, 5 Watts

**MAINTENANCE:** Periodically clean the supply line Y-strainer.

## INSTALLATION PROCEDURE

### GENERAL NOTES:

1. For all plastic push-in type fitting connections, only connect NSF-61 copper or plastic tubing. Stainless steel or glass tubing is not recommended. The following assembly instructions must be followed to ensure a watertight connection:
  - a. Cut tubing square and clean.
  - b. Mark from end of tube the length of insertion (See table below).
  - c. Push tube into the fitting until it bottoms out.
  - d. To remove, depress collet and pull tubing out.

Tube Sizes	O.D. Tolerance	Insertion Depth
3/8"	±.005"	3/4"

**STEP 1:** Thoroughly flush supply line to remove all foreign matter. Install 1/2" IPS supply screwdriver-stop (not supplied). Assemble parts in following order:  
Install supplied 3/8" O.D. tee into fountain supply line. Using supplied 3/8" O.D. tubing, connect tee to Y-strainer inlet.  
Use supplied 3/8" O.D. tubing to connect Y-strainer outlet to solenoid valve inlet.  
Use supplied 3/8" O.D. tubing to connect solenoid valve outlet to regulator valve inlet.

**STEP 2:** Open screwdriver-stop **wide open** while checking for leaks at all connections.

**STEP 3:** Adjust flow rate using the black pressure regulator mounted inside the 1920 bracket by loosening the locknut and rotating the knob clockwise to increase flow or counterclockwise to reduce flow. Tighten the locknut and check flow rate. Repeat these steps until desired flow rate is achieved.

**STEP 4: 1RKHO.H Transformer and Sensor Setup: Refer to the 1RKHO.H manual for instructions (supplied).**

**CLEANING INSTRUCTIONS FOR HI-POLISHED STAINLESS PRODUCTS:**

Haws' recommended cleaning procedure for hi-polished stainless products is as follows: Use a mild detergent or soap and water for removing stains and fingerprints or use a clean cloth with window cleaner.

**BOTTLE FILLER BRACKET:**

If installing the bottle filler in new construction, it is recommended to use Model 6700 Mounting Plate. Follow the installation instructions supplied with the 6700 for mounting dimensions. Reference Pages 7-11 of this document for 1920HO/1920HPSHO/1920WHO button heights when mounted over different Haws drinking fountains. (Note: Mounting Hardware is only supplied with the 6700 Series Mounting Plates and not the Bottle Filler Water Dispensers).

If installing as a retrofit in old construction, it is recommended to use the Model 6700 Mounting Plate behind the finished wall. If that is not possible, it is recommended to install wood stud cross-braces behind the wall and mount the 1920HO/1920HPSHO/1920WHO directly to the wood support. If that is not possible, Model 6700R Retrofit Plate may be used. Follow the installation instructions supplied with the 6700R. (Note: Mounting Hardware is only supplied with the 6700 Series Mounting Plates and not the Bottle Filler Water Dispensers).

If installing as a stand-alone bottle filler, use the mounting hole location diagram on Page 6 and bolt the 1920HO/1920HPSHO/1920WHO securely to the wall. (Note: Mounting Hardware is not supplied with the Bottle Filler Water Dispensers).

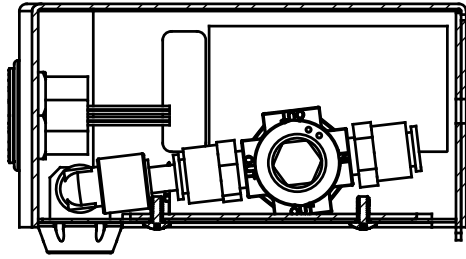
<b>TROUBLESHOOTING</b>	
<b>PROBLEM</b>	<b>REPAIR CHECKLIST</b>
1. Insufficient water flow.	1a. Check that any inlet screwdriver stop valve (not supplied) is wide open. Turn counterclockwise. b. Verify minimum 30 psi flowing supply pressure. c. Clean any strainer(s) that may be installed in water supply line. d. Adjust black regulator valve Model 5867 to increase flow. Clockwise increases flow. e. Make sure nozzle is free of debris.
2. Excessive water flow.	2a. Adjust black regulator valve model 5867 to decrease flow. Counterclockwise decreases flow.
3. Water flow is crooked or splatters.	3a. Make sure nozzle is free of debris. b. Verify that bottle filler is installed level and straight. c. Adjust black regulator valve model 5867 to decrease flow. Counterclockwise decreases flow.

For more information about Haws products, see our website: [www.hawesco.com](http://www.hawesco.com)

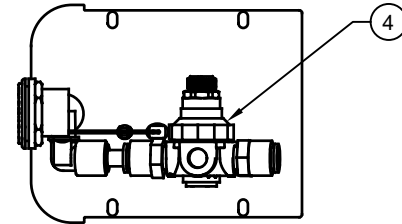
ITEM	DESCRIPTION	PART NO.
1	SENSOR	VRKH06
2	SOLENOID VALVE	VRKH05
3	TRANSFORMER	VRKH08
4	PRESSURE REGULATOR VALVE	5867
5	Y-STRAINER	6433

NOTES:

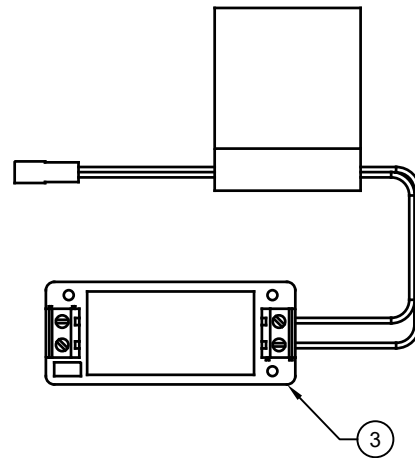
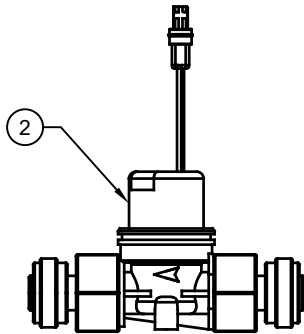
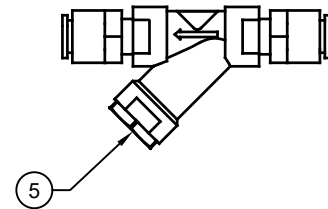
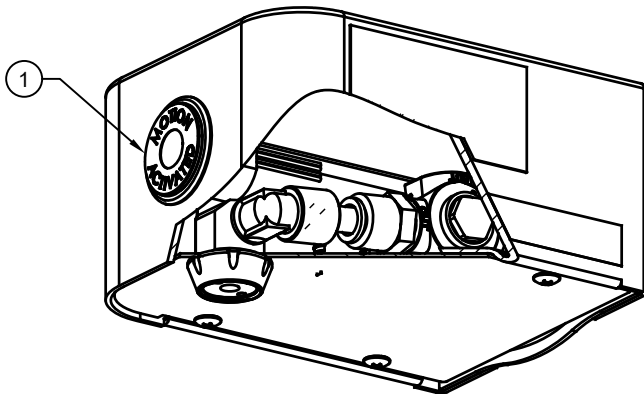
- 3/8"-16 UNC BRACKET MOUNTING HARDWARE NOT SUPPLIED.



WIRING HARNESS  
NOT SHOWN  
ON THIS VIEW



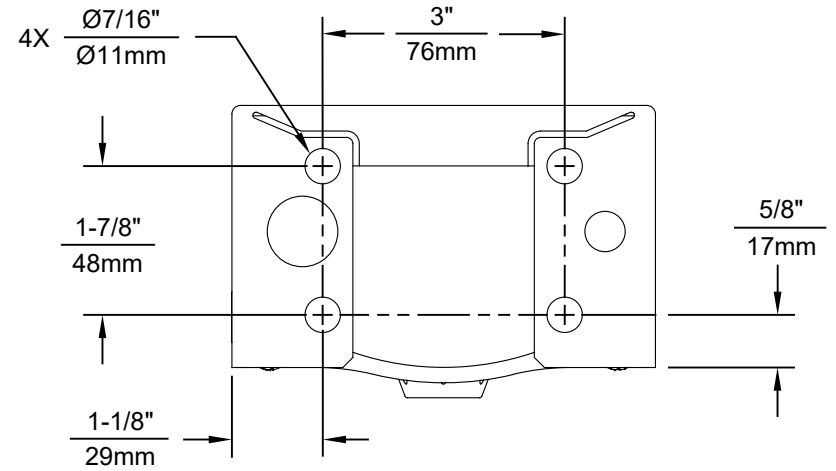
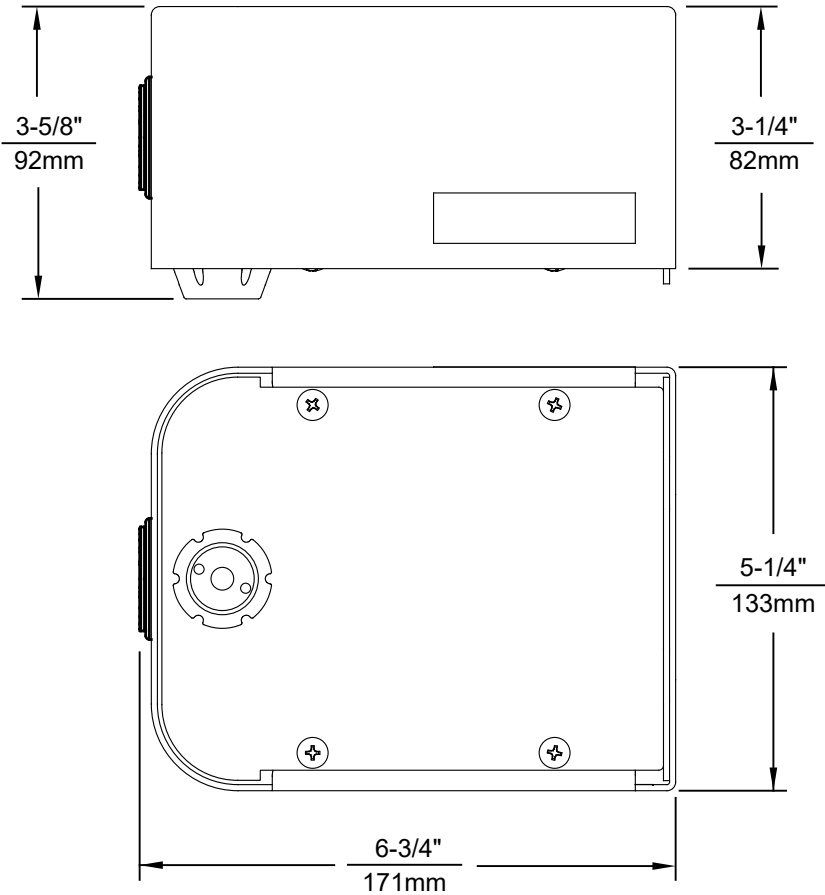
TOP VIEW  
BRACKET REMOVED  
FOR CLARITY



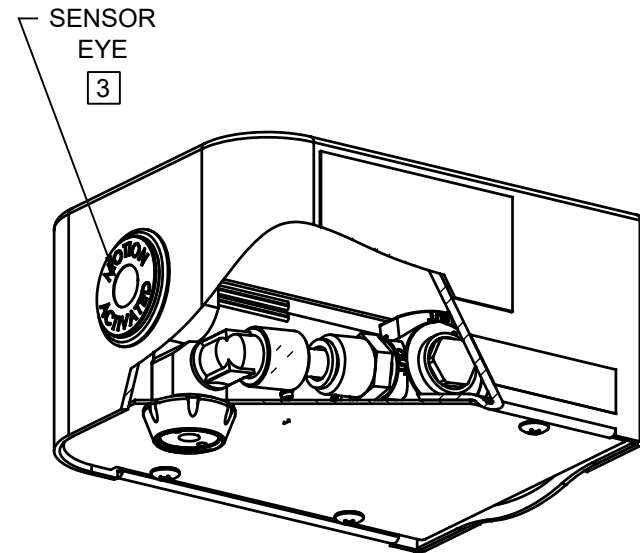
# PARTS BREAKDOWN

WHEN ORDERING PARTS PLEASE SPECIFY MODEL NUMBER.

		<b>Haws</b> <sup>®</sup>		1455 KLEPPE LANE SPARKS, NEVADA 89431 (775) 359-4712 FAX (775) 359-7424 E-MAIL: HAWS@HAWS.CO.COM WEBSITE: WWW.HAWS.CO.COM	
				ECN NO. 5574 REVISION: FV	REVISED PER: FV DATE: 08/18/20 CHKD: BJM
DRAWN: FV APPROVED: FV	DATE: 10/11/21	SCALE: 1:14 DRAWING TYPE: PARTS BREAKDOWN	REVISION: 5 SIZE: A SHEET 1 OF 1		



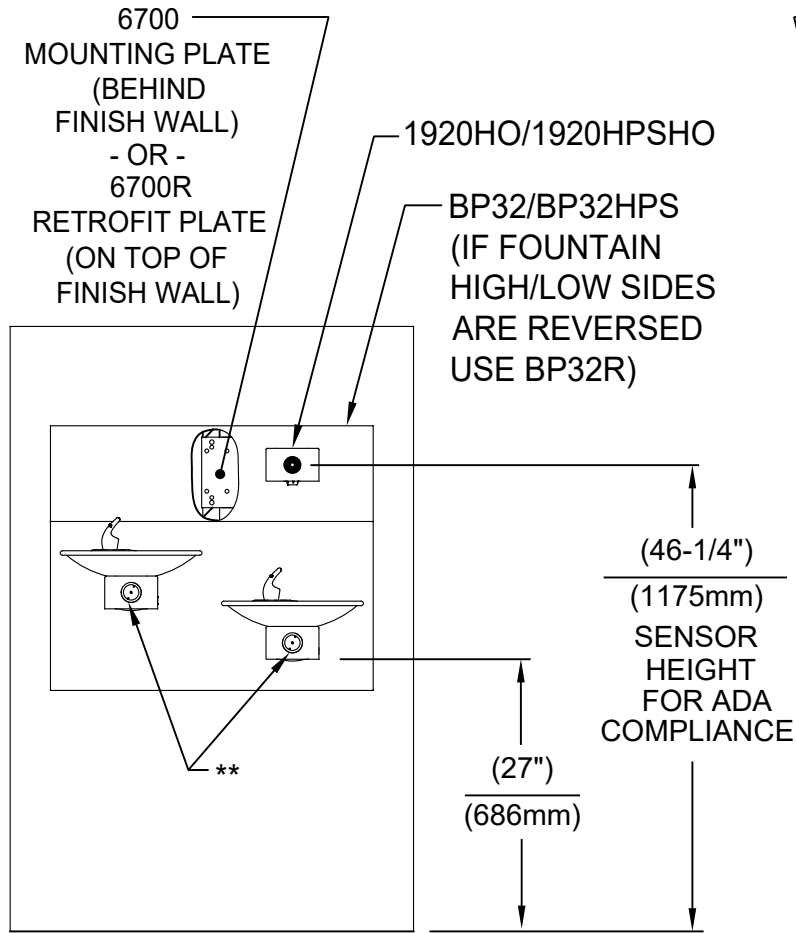
1920HO SERIES MOUNTING HOLE LOCATIONS  
 (3/8"-16 UNC MOUNTING HARDWARE NOT SUPPLIED)



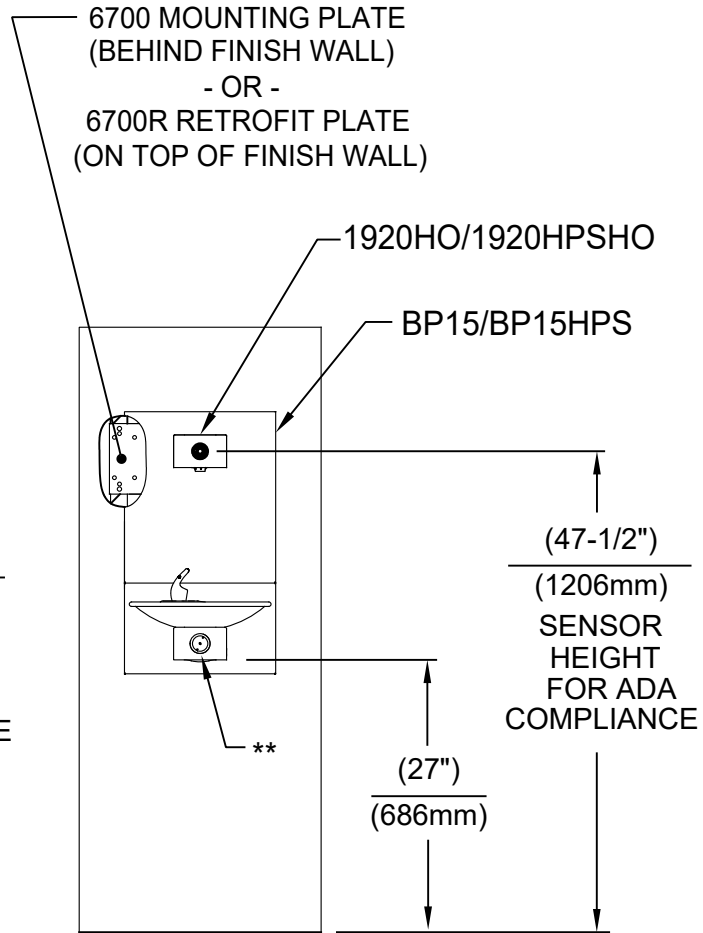
NOTES:

1. SEE SEPARATE INSTALLATION DRAWINGS FOR MOUNTING PLATES AND BACKPANELS
  2. WHEN INSTALLING THIS UNIT, LOCAL, STATE OR FEDERAL CODES SHOULD BE ADHERED TO FOR INSTALLATION LOCATIONS, WASTE AND SUPPLY REQUIREMENTS OTHER THAN SHOWN.
- [3] REFER TO 1RKHO.H OPERATION & MAINTENANCE INSTRUCTIONS FOR SENSOR SETUP.

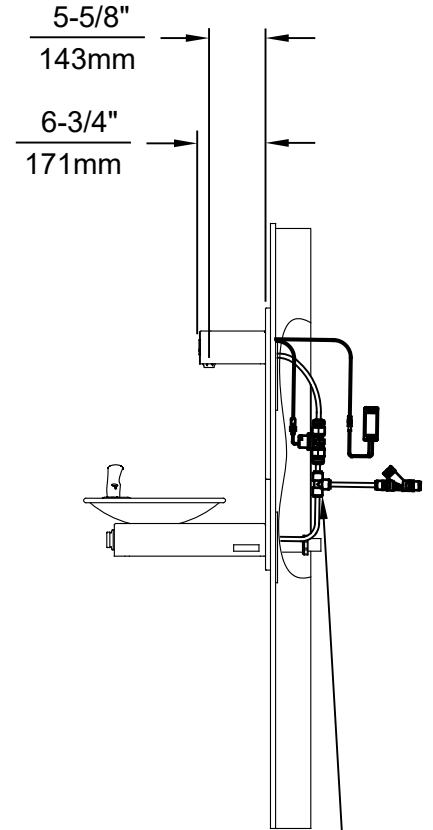
 <b>Haws®</b>		1455 KLEPPE LANE SPARKS, NEVADA 89431 (775) 359-4712 FAX (775) 359-7424 E-MAIL: HAWS@HAWSCO.COM WEBSITE: WWW.HAWSCO.COM	
ECN NO. 5574	REVISED PER BY: ECN: 5744 FV	MODEL(S) 1920HO/1920HPSHO/1920WHO	PART NUMBER 0510001063.D
DRAWN: FV	DATE: 08/18/20	CHKD.: BJM	REVISION 5
APPROVED: FV	DATE: 10/11/21	SCALE: N/A	DRAWING TYPE: INSTALLATION
		SIZE: A	SHEET 1 OF 7



**INSTALLATION ABOVE HAWS 1011 & H1011.8 SERIES**

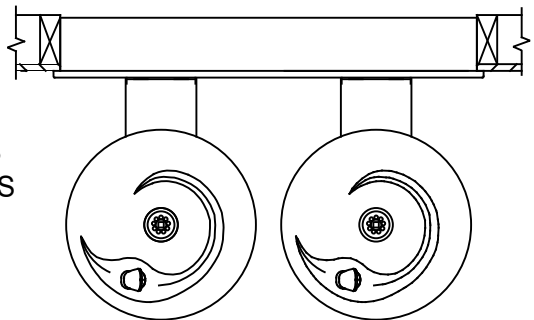


**INSTALLATION ABOVE HAWS 1001 & H1001.8 SERIES**



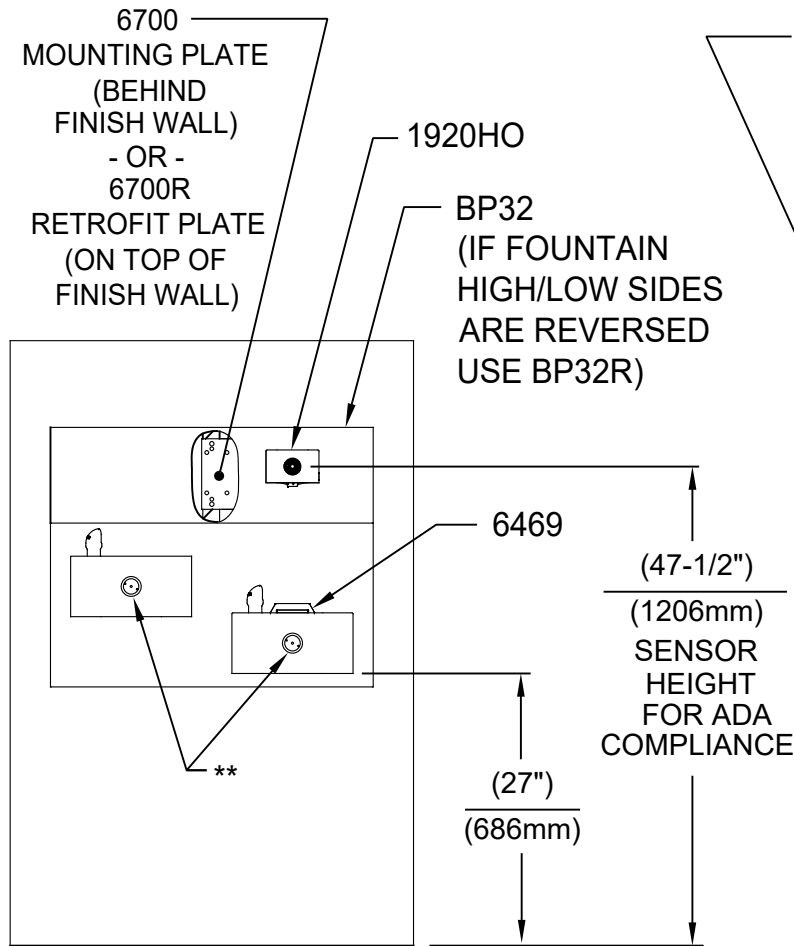
\* IF YOUR FOUNTAIN IS THIS STYLE USE THESE DIMENSIONS

1. SEE SEPARATE INSTALLATION DRAWINGS FOR MOUNTING PLATES AND BACKPANELS
2. WHEN INSTALLING THIS UNIT, LOCAL, STATE OR FEDERAL CODES SHOULD BE ADHERED TO FOR INSTALLATION LOCATIONS, WASTE & SUPPLY REQUIREMENTS OTHER THAN SHOWN.

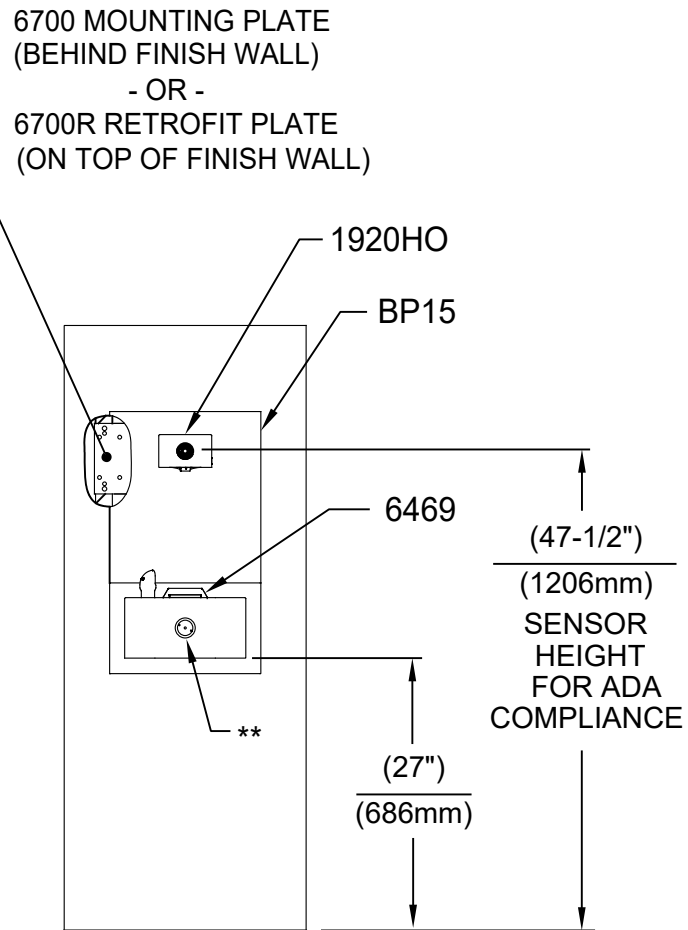


\*\* EXISTING PUSH BUTTON ASSEMBLY SHOWN, CAN BE CONVERTED TO HANDS OFF STYLE, USING RETROFIT KIT MODEL 1RKHO.H OR 2RKHO.H DEPENDING ON CUSTOMER REQUIREMENTS.

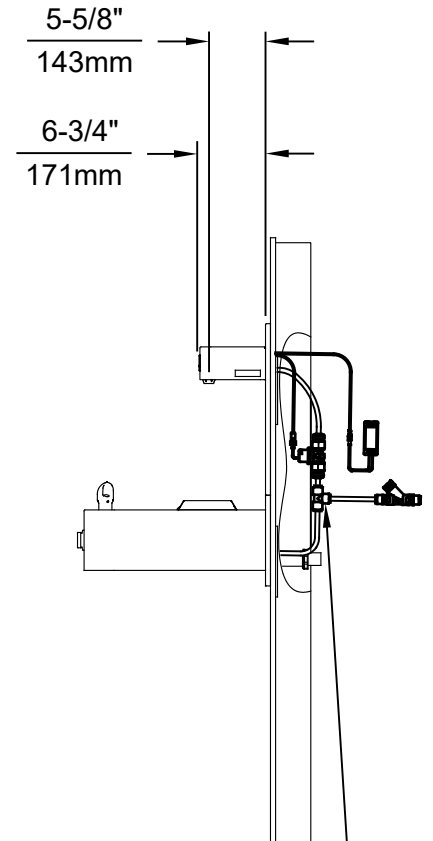
		1455 KLEPPE LANE SPARKS, NEVADA 89431 (775) 359-4712 FAX (775) 359-7424 E-MAIL: HAWS@HAWS.CO.COM WEBSITE: WWW.HAWS.CO.COM	
ECN NO. 5574 DRAWN: FV APPROVED: FV	REVISED PER: FV ECN: 5744 DATE: 08/18/20 DATE: 10/11/21	MODEL(S) 1920HO/1920HPSHO/1920WHO	PART NUMBER 0510001063.D REVISION 5
SCALE: N/A		DRAWING TYPE: INSTALLATION	SIZE: A SHEET 2 OF 7



**INSTALLATION ABOVE HAWS 1119 & H1119.8 SERIES**

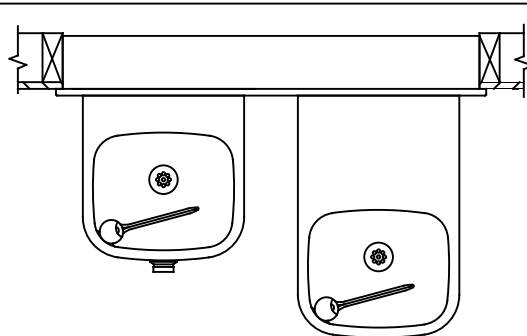


**INSTALLATION ABOVE HAWS 1109 & H1109.8 SERIES**



\* IF YOUR FOUNTAIN IS THIS STYLE USE THESE DIMENSIONS

1. SEE SEPARATE INSTALLATION DRAWINGS FOR MOUNTING PLATES, BACKPANELS & DRIP TRAY
2. WHEN INSTALLING THIS UNIT, LOCAL, STATE OR FEDERAL CODES SHOULD BE ADHERED TO FOR INSTALLATION LOCATIONS, WASTE & SUPPLY REQUIREMENTS OTHER THAN SHOWN.

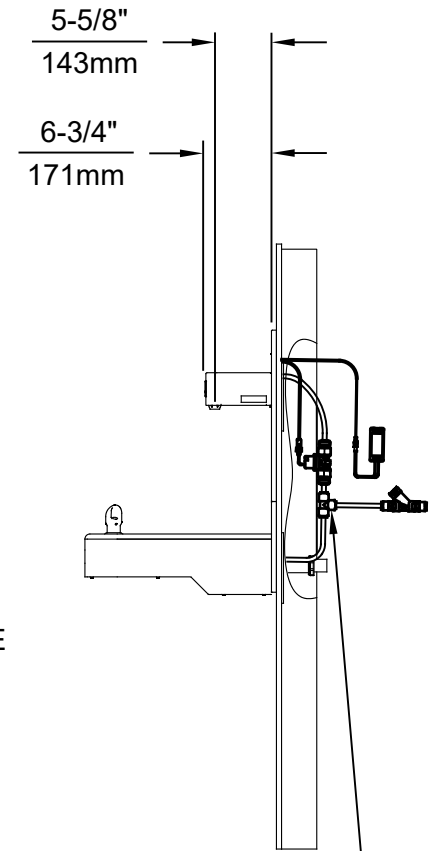
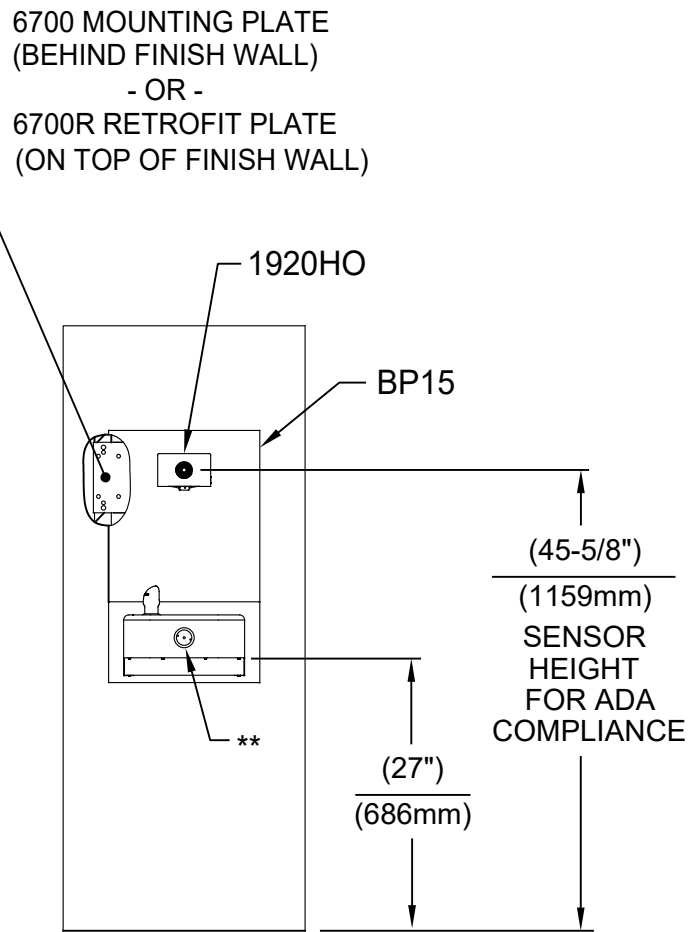
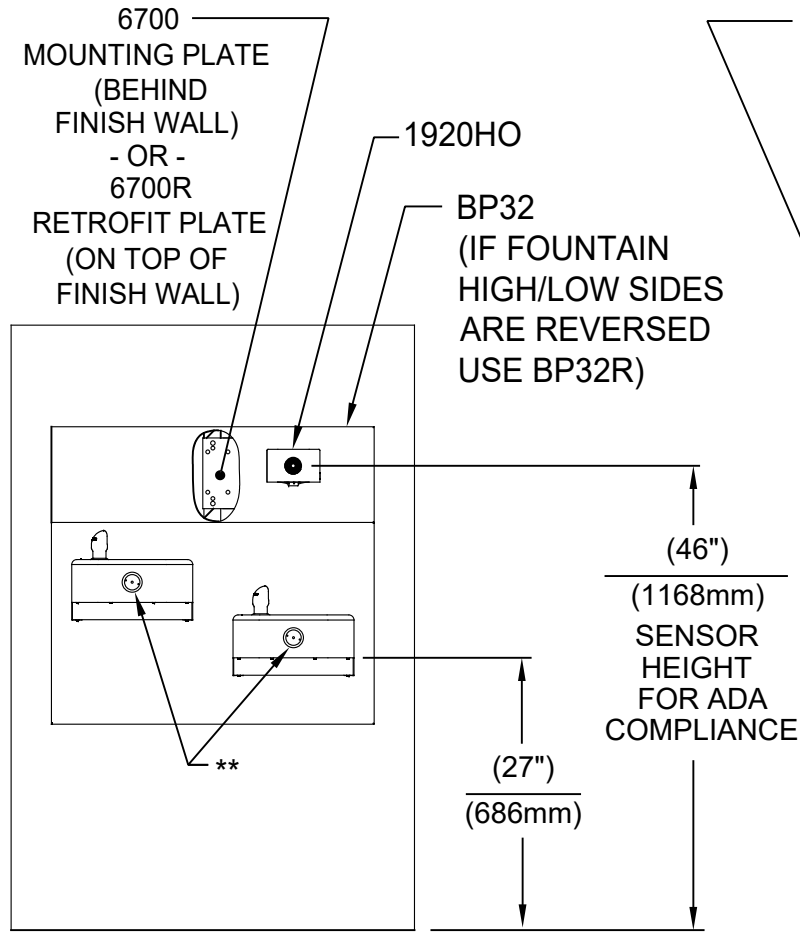


\*\* EXISTING PUSH BUTTON ASSEMBLY SHOWN, CAN BE CONVERTED TO HANDS OFF STYLE, USING RETROFIT KIT MODEL 1RKHO.H OR 2RKHO.H DEPENDING ON CUSTOMER REQUIREMENTS.

3/8" O.D. SUPPLY TUBING AND 3/8" O.D. PUSH-IN TEE SUPPLIED. (CONNECT TO FOUNTAIN SUPPLY LINE)

		1455 KLEPPE LANE SPARKS, NEVADA 89431 (775) 359-4712 FAX (775) 359-7424 E-MAIL: HAWS@HAWSCO.COM WEBSITE: WWW.HAWSCO.COM	
ECN NO. 5574 DRAWN: FV APPROVED: FV	REVISED PER: ECN: 5744 DATE: 08/18/20 DATE: 10/11/21	BY: FV CHKD.: BJM	MODEL(S) 1920HO/1920HPSHO/1920WHO
PART NUMBER 0510001063.D			REVISION 5
SCALE: N/A		DRAWING TYPE: INSTALLATION	SIZE: A SHEET 3 OF 7



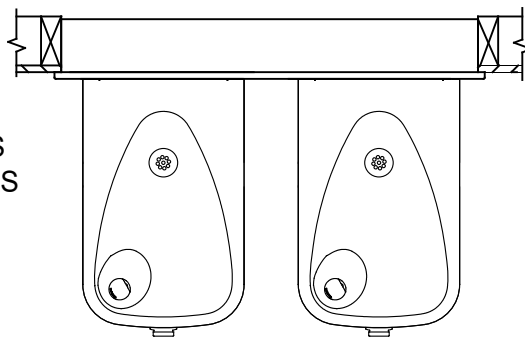


**INSTALLATION ABOVE HAWS 1117L,  
1117LN, H1117.8 & H1117LN.8**

**INSTALLATION ABOVE HAWS 1107L & H1107.8 SERIES**

\* IF YOUR FOUNTAIN IS THIS STYLE USE THESE DIMENSIONS

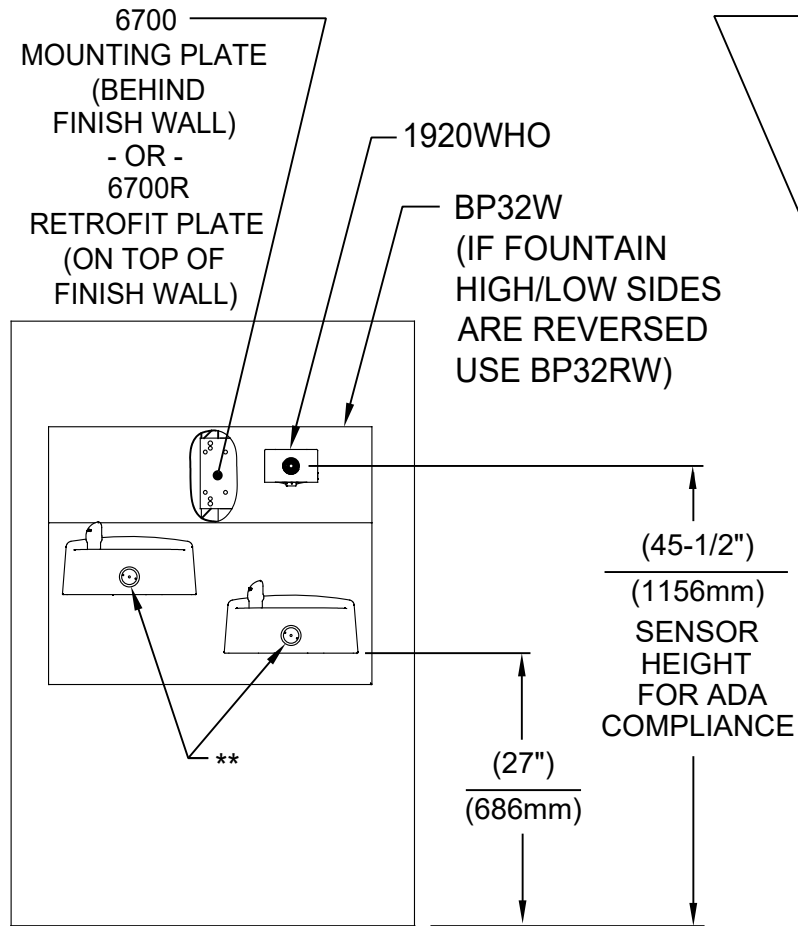
1. SEE SEPARATE INSTALLATION DRAWINGS FOR MOUNTING PLATES AND BACKPANELS
2. WHEN INSTALLING THIS UNIT, LOCAL, STATE OR FEDERAL CODES SHOULD BE ADHERED TO FOR INSTALLATION LOCATIONS, WASTE & SUPPLY REQUIREMENTS OTHER THAN SHOWN.



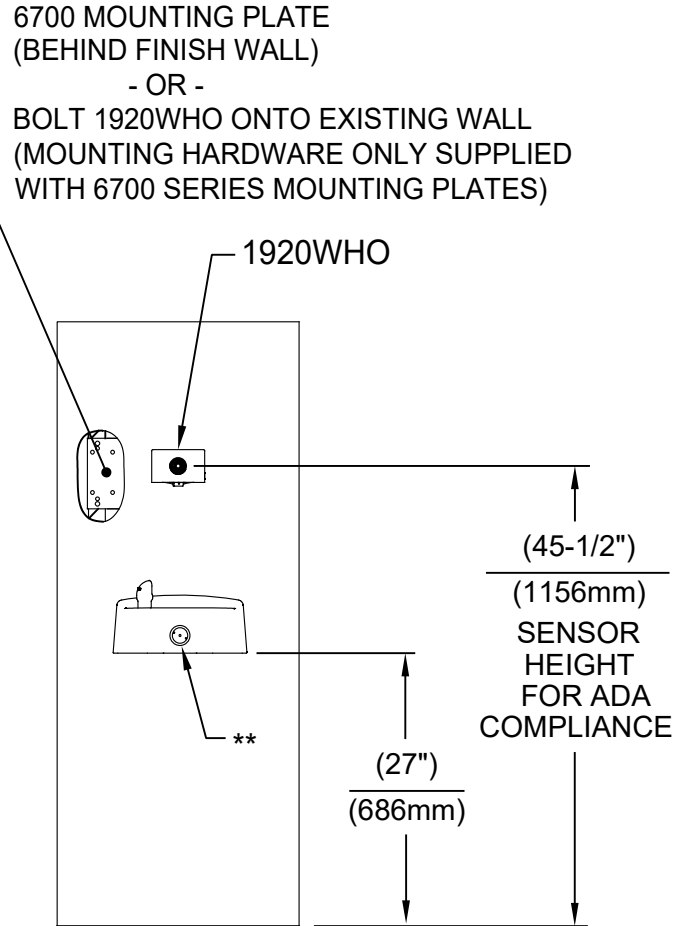
\*\* EXISTING PUSH BUTTON ASSEMBLY SHOWN, CAN BE CONVERTED TO HANDS OFF STYLE, USING RETRO-FIT KIT MODEL 1RKHO.H OR 2RKHO.H DEPENDING ON CUSTOMER REQUIREMENTS.

3/8" O.D. SUPPLY TUBING AND 3/8" O.D. PUSH-IN TEE SUPPLIED. (CONNECT TO FOUNTAIN SUPPLY LINE)

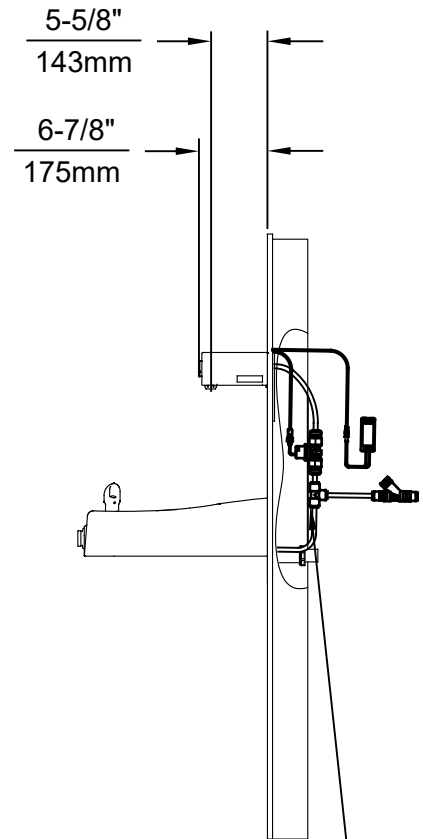
		1455 KLEPPE LANE SPARKS, NEVADA 89431 (775) 359-4712 FAX (775) 359-7424 E-MAIL: HAWS@HAWS.CO.COM WEBSITE: WWW.HAWS.CO.COM	
ECN NO. 5574 DRAWN: FV APPROVED: FV	REVISED PER: ECN: 5744 DATE: 08/18/20 DATE: 10/11/21	BY: FV CHKD.: BJM	MODEL(S) 1920HO/1920HPSHO/1920WHO
PART NUMBER 0510001063.D			REVISION 5
SCALE: N/A		DRAWING TYPE: INSTALLATION	SIZE: A SHEET 4 OF 7



**INSTALLATION ABOVE HAWS 1501**

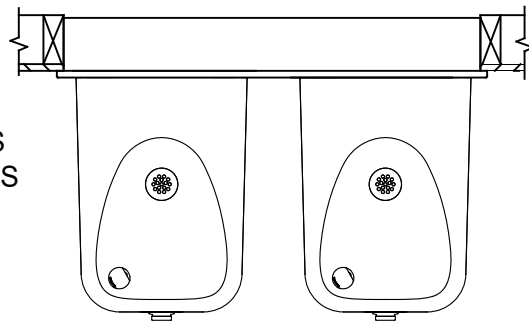


**INSTALLATION ABOVE HAWS 1311**



\* IF YOUR FOUNTAIN IS THIS STYLE USE THESE DIMENSIONS

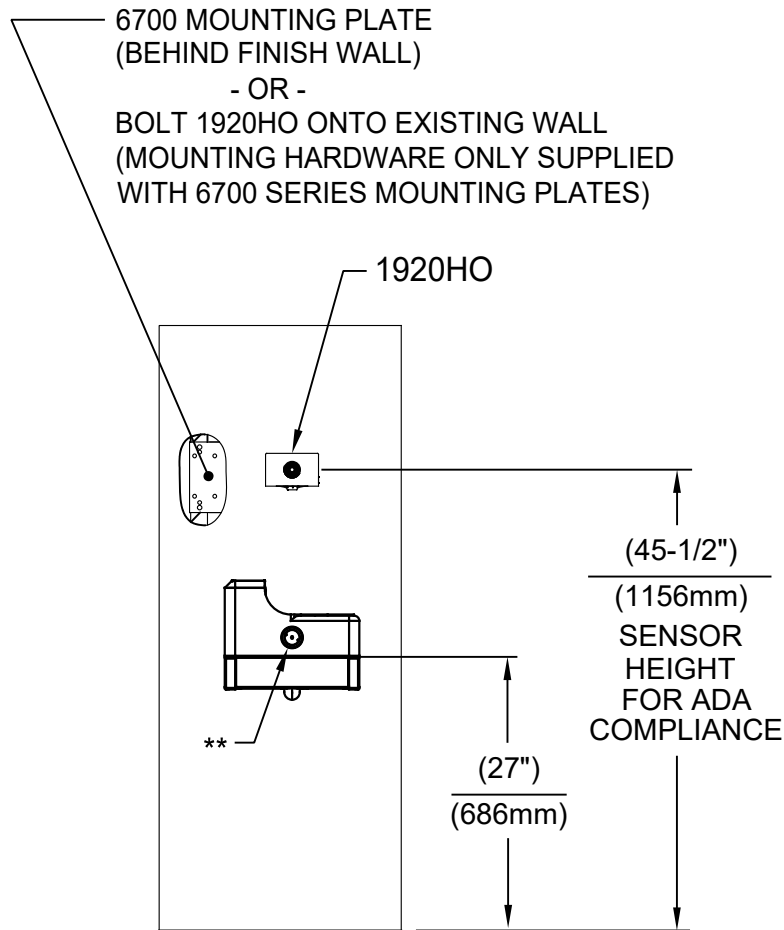
1. SEE SEPERATE INSTALLATION DRAWINGS FOR MOUNTING PLATES AND BACKPANELS
2. WHEN INSTALLING THIS UNIT, LOCAL, STATE OR FEDERAL CODES SHOULD BE ADHERED TO FOR INSTALLATION LOCATIONS, WASTE & SUPPLY REQUIREMENTS OTHER THAN SHOWN.



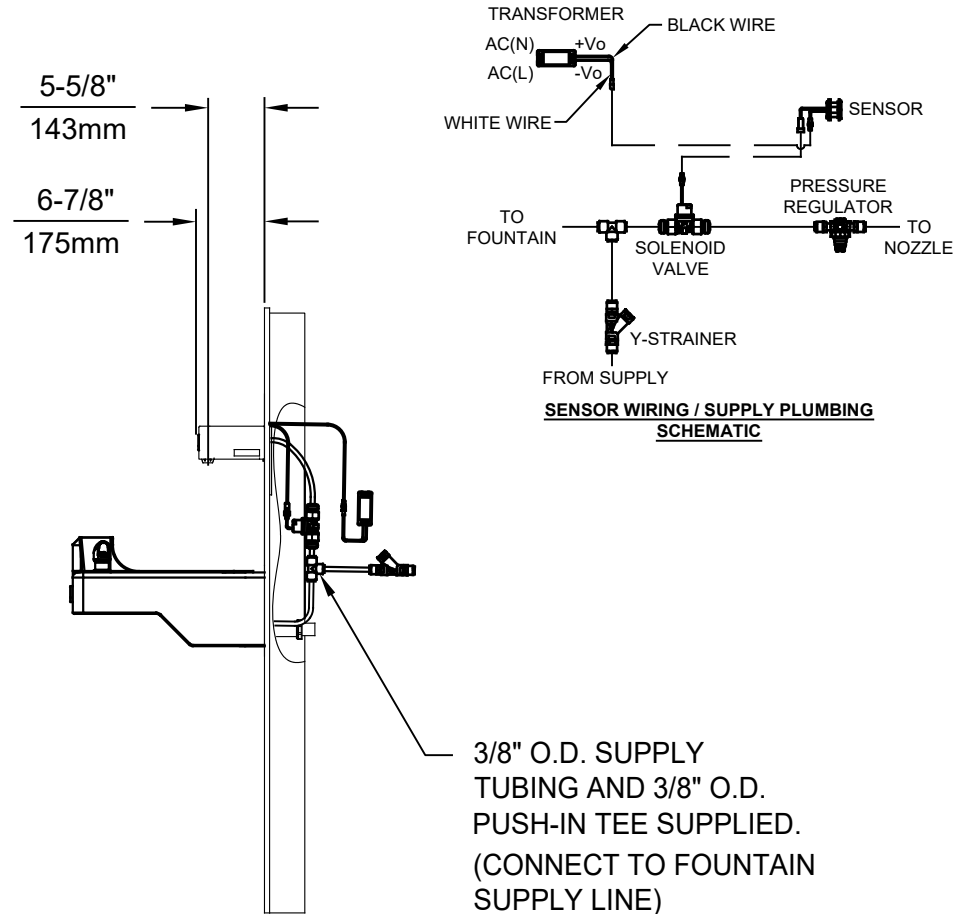
\*\* EXISTING PUSH BUTTON ASSEMBLY SHOWN, CAN BE CONVERTED TO HANDS OFF STYLE, USING RETRO-FIT KIT MODEL 1RKHO.H OR 2RKHO.H DEPENDING ON CUSTOMER REQUIREMENTS.

3/8" O.D. SUPPLY TUBING AND 3/8" O.D. PUSH-IN TEE SUPPLIED. (CONNECT TO FOUNTAIN SUPPLY LINE)

		1455 KLEPPE LANE SPARKS, NEVADA 89431 (775) 359-4712 FAX (775) 359-7424 E-MAIL: HAWS@HAWSCO.COM WEBSITE: WWW.HAWSCO.COM	
ECN NO. 5574 DRAWN: FV APPROVED: FV	REVISED PER: FV ECN: 5744 DATE: 08/18/20 DATE: 10/11/21	MODEL(S) 1920HO/1920HPSHO/1920WHO	PART NUMBER 0510001063.D REVISION 5
SCALE: N/A		DRAWING TYPE: INSTALLATION	SIZE: A SHEET 5 OF 7



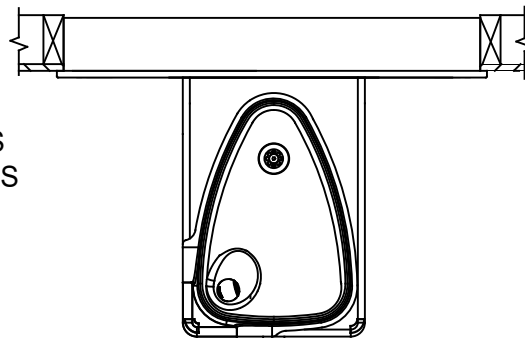
**INSTALLATION ABOVE HAWS 1047**



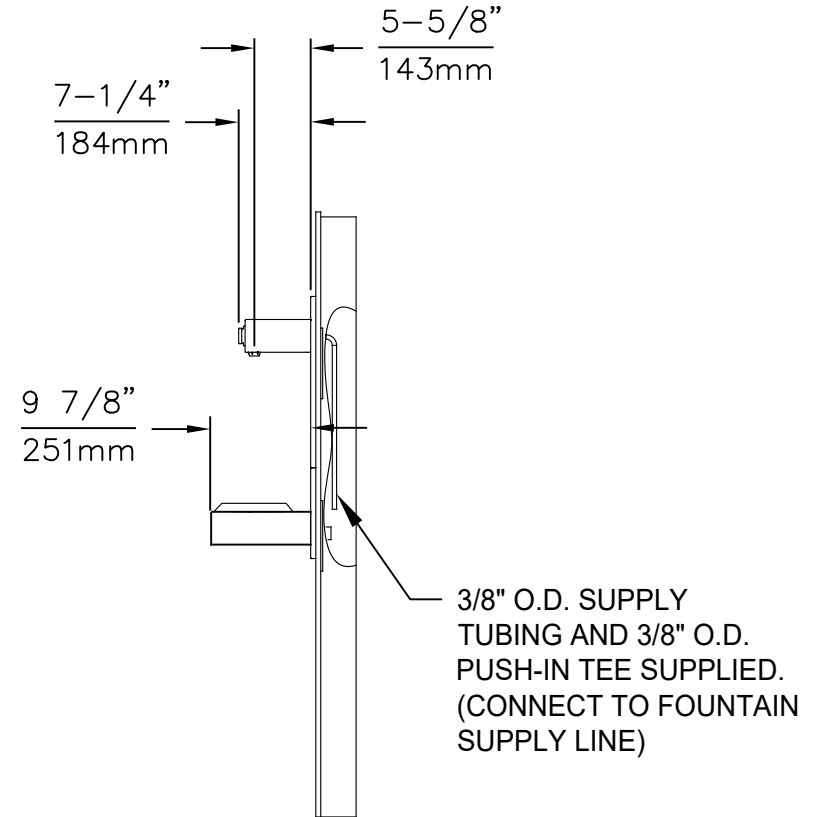
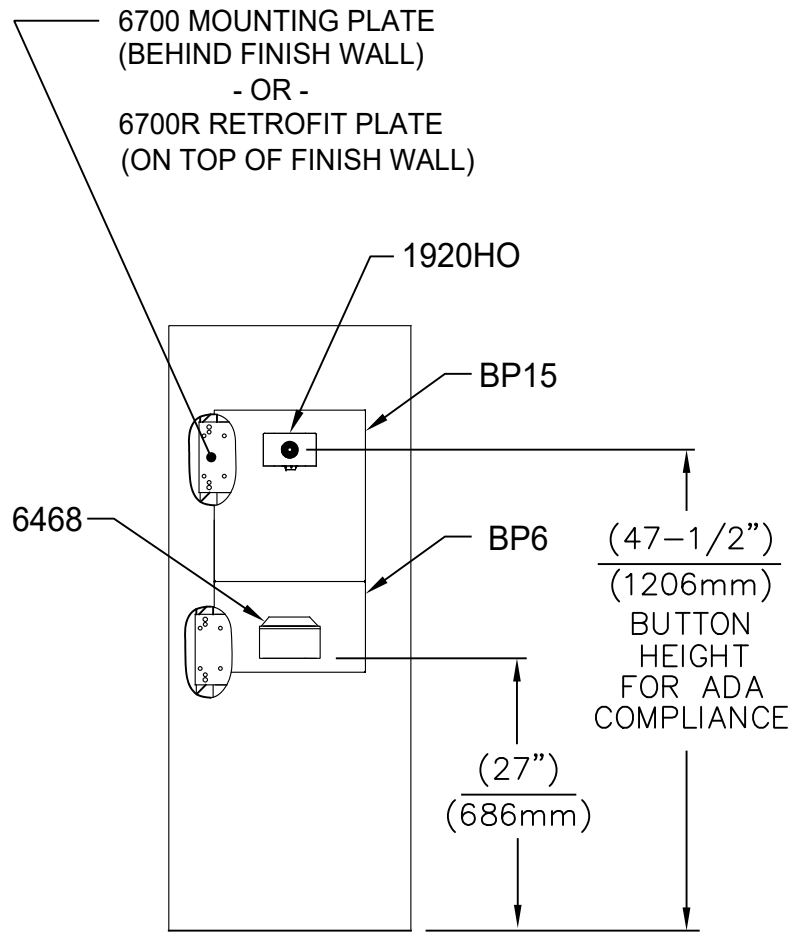
\*\* EXISTING PUSH BUTTON ASSEMBLY SHOWN, CAN BE CONVERTED TO HANDS OFF STYLE, USING RETRO-FIT KIT MODEL 1RKHO.H.

\* IF YOUR FOUNTAIN IS THIS STYLE USE THESE DIMENSIONS

1. SEE SEPERATE INSTALLATION DRAWINGS FOR MOUNTING PLATES AND BACKPANELS
2. WHEN INSTALLING THIS UNIT, LOCAL, STATE OR FEDERAL CODES SHOULD BE ADHERED TO FOR INSTALLATION LOCATIONS, WASTE & SUPPLY REQUIREMENTS OTHER THAN SHOWN.



		1455 KLEPPE LANE SPARKS, NEVADA 89431 (775) 359-4712 FAX (775) 359-7424 E-MAIL: HAWS@HAWS.CO.COM WEBSITE: WWW.HAWS.CO.COM	
ECN NO. 5574	REVISED PER ECN: 5744	BY: FV	MODEL(S) 1920HO/1920HPSHO/1920WHO
DRAWN: FV	DATE: 08/18/20	CHKD.: BJM	PART NUMBER 0510001063.D
APPROVED: FV	DATE: 10/11/21	SCALE: N/A	REVISION 5
DRAWING TYPE: INSTALLATION		SIZE: A	SHEET 6 OF 7



**INSTALLATION ABOVE 6468**

1. SEE SEPARATE INSTALLATION DRAWINGS FOR MOUNTING PLATES AND BACKPANELS
2. WHEN INSTALLING THIS UNIT, LOCAL, STATE OR FEDERAL CODES SHOULD BE ADHERED TO FOR INSTALLATION LOCATIONS, WASTE & SUPPLY REQUIREMENTS OTHER THAN SHOWN.

		1455 KLEPPE LANE SPARKS, NEVADA 89431 (775) 359-4712 FAX (775) 359-7424 E-MAIL: HAWS@HAWS.CO.COM WEBSITE: WWW.HAWS.CO.COM	
ECN NO. 5744	REVISED PER ECN: 5744	BY: FV	MODEL(S) 1920HO/1920HPSHO/1920WHO
DRAWN: FV	DATE: 10/04/21	CHK'D: BJM	PART NUMBER 0510001063.D
APPROVED: FV	DATE: 10/11/21	SCALE: N/A	DRAWING TYPE: INSTALLATION
		SIZE: A	SHEET 7 OF 7