



INSTALLATION, OPERATION & MAINTENANCE INSTRUCTIONS

1455 Kleppe Lane ♦ Sparks, NV 89431-6467 ♦ (775) 359-4712 ♦ Fax (775) 359-7424
E-mail: haws@hawsco.com ♦ website: www.hawsco.com

No. 0510001123 (2)

Model 1119HO/1119HO2 Drinking Fountain

NOTE TO INSTALLER: Please leave this information with the Maintenance Department.

CAUTION! Prior to making any electrical connections, verify with a voltmeter that power from the service panel is **off**.

LIMITED WARRANTY

HAWS warrants that this specific product is guaranteed against defective material or poor workmanship for a period of **one year from date of shipment**. HAWS liability under this warranty shall be discharged by furnishing without charge F.O.B. HAWS Factory any goods, or part thereof, which shall appear to the Company upon inspection to be of defective material or not of first class workmanship, provided that claim is made in writing to Haws within a reasonable period after receipt of the product. Where claims for defects are made, the defective part or parts shall be delivered to the Company, prepaid, for inspection. HAWS will not be liable for the cost of repairs, alterations or replacements, or for any expense connected therewith made by the owner or his agents, except upon written authority from HAWS, Sparks, Nevada. HAWS will not be liable for any damages caused by defective materials or poor workmanship, except for replacements, as provided above. Buyer agrees that HAWS shall not be liable for general, special, or consequential damages claimed to arise under the contract of sale. The drinking fountain manufactured by HAWS is warranted to function if installation and maintenance instructions provided are adhered to. The units also must be used for the purpose for which they were intended.

**NO OTHER WARRANTIES EXPRESSED OR IMPLIED ARE AUTHORIZED,
PROVIDED OR GIVEN BY HAWS.**

**SHOULD YOU EXPERIENCE DIFFICULTY WITH THE INSTALLATION OF THIS
MODEL PLEASE CALL:**

TECHNICAL SUPPORT: 1-800-766-5612
FOR CUSTOMER SERVICE: 1-888-640-4297

RECOMMENDED TOOLS: Hack saw, pipe joint sealant, screwdriver, level, 12" adjustable wrench, 10" pipe wrench, 5/64" hex key wrench, 9/16", 1/2", 7/16" socket wrench or open-end wrench.

LOCATION OF UNIT: The Model 1119HO/1119HO2 Drinking Fountain is a wheelchair accessible drinking facility. The height dimensions shown, meet current ADA requirements. When installing this unit, local, state or federal codes should be adhered to. If height other than shown is required, then dimensions must be adjusted accordingly.

SUPPLY LINE: The minimum recommended line size is 1/2"IPS with 30-90 psi (2-6 ATM) flowing pressure. Where sediment or mineral content is a problem, an inlet filter is recommended.

PLUMBING CONNECTIONS: Inlet is 3/8" O.D. push-in type fitting. Waste outlet is female 1-1/4" NPT.

ELECTRICAL CONNECTIONS: Drinking Fountain may be mounted on external wall of building provided transformer shall be mounted inside the wall and protected from water as shown on RKHO Series O&M details (page 8) per NEC/CEC and local code.

Sensor(s):

1119HO with 1RKHO.H: 100-277VAC x 9VDC, 50-60Hz, 5 Watts.

1119HO2 with 2RKHO.H: 100-277VAC x 9VDC, 50-60Hz, 5 Watts.

MAINTENANCE: Periodically clean out the supply line Y-strainer (and strainer located inside push button valve on Model 1119HO). Refer to 5874 Series Valve Manual for more information.

INSTALLATION PROCEDURE

GENERAL NOTES:

1. For all plastic push-in type fitting connections, only connect NSF-61 copper or plastic tubing. Stainless steel or glass tubing is not recommended. The following assembly instructions must be followed to ensure a watertight connection:
 - a. Cut tubing square and clean.
 - b. Mark from end of tube the length of insertion (See table below).
 - c. Push tube into the fitting until it bottoms out.
 - d. To remove, depress collet and pull tubing out.

Tube Sizes	O.D. Tolerance	Insertion Depth
3/8"	±.005"	3/4"

INSTALLATION PROCEDURE...

- STEP 1:** Thoroughly flush supply line to remove all foreign matter. Connect 1/2" IPS supply screwdriver-stop (not supplied). Install supply 3/8" O.D. tubing (supplied), between screwdriver-stop and supplied Y-strainer. (Cut tubing to proper length and follow general notes for proper connection procedures for push-in type fittings). Connect 3/8" O.D. tube between supplied tee and fountains and solenoid valve outlet(s) (if not already connected). See installation drawing at the end of this manual for supply plumbing and wiring details.

STEP 2: Open screwdriver-stop **wide open** while checking for leaks at all connections. Also, check waste for leaks.

STEP 3: Model 1119HO (only): 5874 Series Valve – Adjust bubbler stream height using a small flat-head screwdriver inserted through a hole in the center of the push button for increased flow turn clockwise and for decreased flow turn counterclockwise. If flow problems arise, see troubleshooting guide for additional instructions to correct problem. Bubbler stream may lower during short break-in period. Set initial stream height a little high to minimize or eliminate the need for break-in period readjustment.

Model 1119HO/1119HO2: 5867 Valve Pressure Regulator – Adjust bubbler stream height using the black pressure regulator mounted inside bracket that has HO sensor unit, by loosening the locknut and rotating the knob clockwise to increase flow or counterclockwise to reduce flow. Tighten the locknut and check flow height. Repeat these steps until the bubbler flow height is correct.

STEP 4: 1RKHO.H & 2RKHO.H Transformer and Sensor Setup: Refer to the 1RKHO.H & 2RKHO.H manuals for instructions (supplied).

MAINTENANCE

STEP 1: Periodically clean out the supply line Y-strainer and the strainer located in the push button valve body on Model 1119HO (Refer to 5874 Series Valve Manual for more information).

5874 Series VALVE TROUBLESHOOTING (Model 1119HO Only)	
PROBLEM	REPAIR CHECKLIST
1. Insufficient bubbler flow.	1a. Check that inlet screwdriver stop valve (not supplied) is in wide-open position. b. Verify minimum 30 psi flowing supply pressure. c. Clean strainer. See 5874 Series Valve Manual. d. Adjust valve to increase flow. Use front adjust screw or see 5874 Series Valve Manual.

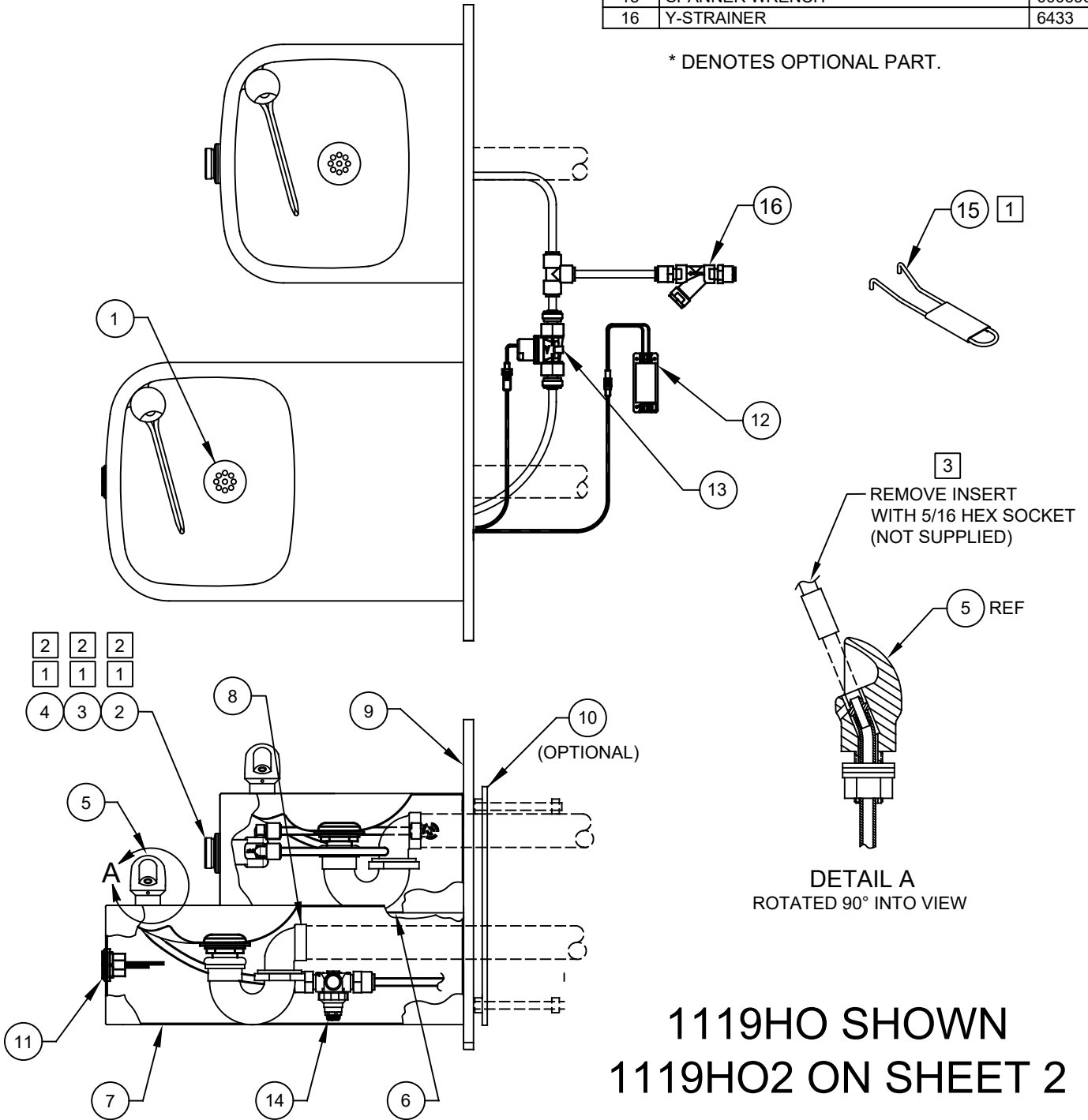
For more information about Haws products, see our website: www.hawSCO.com

ITEM	DESCRIPTION	1119HO
1	STRAINER, WASTE ASSY	6462
2	BUTTON, PUSH, FLANGED, PCP W/ VALVE	5874PBF
3	VALVE REPAIR KIT	VRK5874
4	PUSH BUTTON ASSY	PBA6
5	BUBBLER HEAD ASSY, PCP	5703M
6	PLATE, BOTTOM	PBM1105
7	PLATE, BOTTOM	PBM1109
8	TRAP	0005982900
9	BACK PANEL	0004023580
* 10	PLATE, MOUNTING	6700.4
11	SENSOR	VRKH06
12	TRANSFORMER	VRKH08
13	SOLENOID	VRKH05
14	PRESSURE REGULATOR	5867
15	SPANNER WRENCH	0006983506
16	Y-STRAINER	6433

NOTES:


- 1 5874PBF (ITEM 2) INCLUDES VRK5874 CARTRIDGE ASSEMBLY (ITEM 3), PBA6 FLANGED PUSH BUTTON (ITEM 4) AND SPANNER WRENCH (ITEM 15).
- 2 ITEMS 2, 3 AND 4 ARE ONLY USED ON MODEL 1119HO.
- 3 ENSURE TUBE IS DISCONNECTED FROM PUSH BUTTON VALVE BODY PRIOR TO REMOVAL. APPLY ONE DROP OF LOCTITE 222MS TO NOZZLE THREADS PRIOR TO FASTENING BACK ONTO BUBBLER HEAD. RE-ATTACH TUBE TO VALVE.

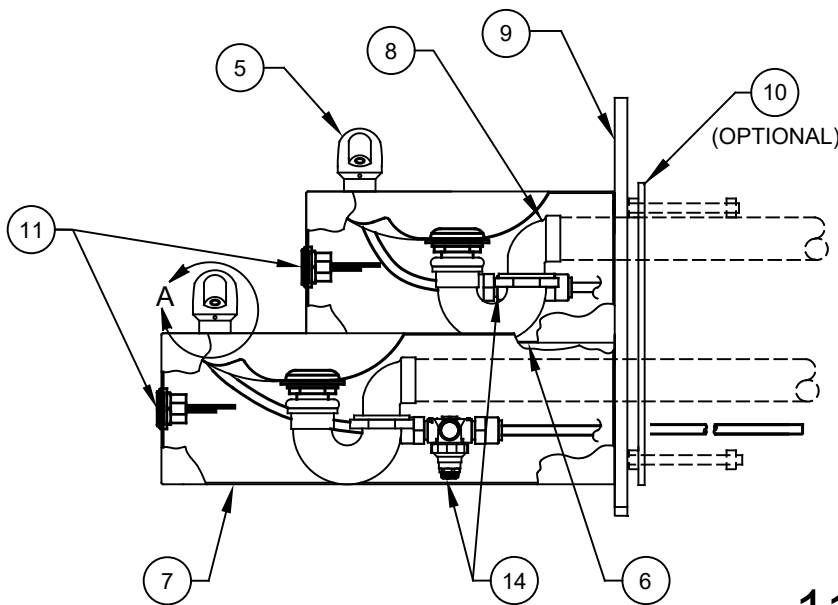
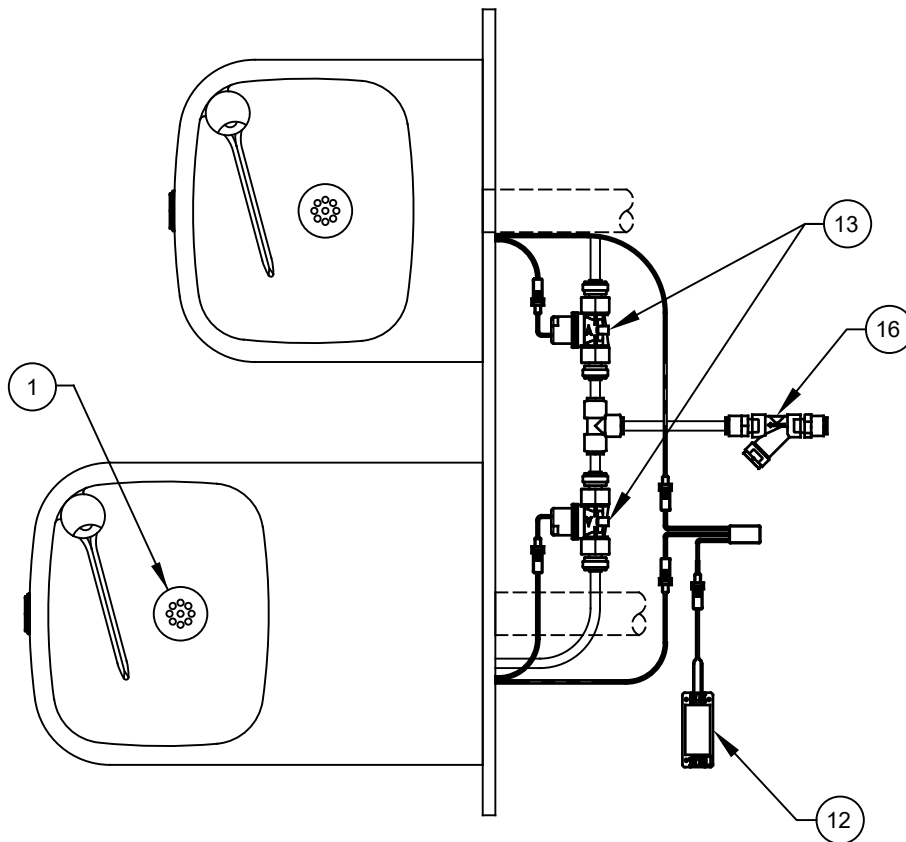
* DENOTES OPTIONAL PART.



PARTS BREAKDOWN

WHEN ORDERING PARTS PLEASE SPECIFY MODEL NUMBER.


		Haws [®]		1455 KLEPPE LANE SPARKS, NEVADA 89431 (775) 359-4712 FAX (775) 359-7424 E-MAIL: HAWS@HAWS.CO.COM WEBSITE: WWW.HAWS.CO.COM	
				ECN NO. 5605 DRAWN FV APPROVED BJM	REVISED PER ECN: 5684 DATE 10/23/20 DATE 04/28/21
				REVISION 2	SCALE: 1:4 DRAWING TYPE: PARTS BREAKDOWN SIZE: A SHEET 1 OF 2

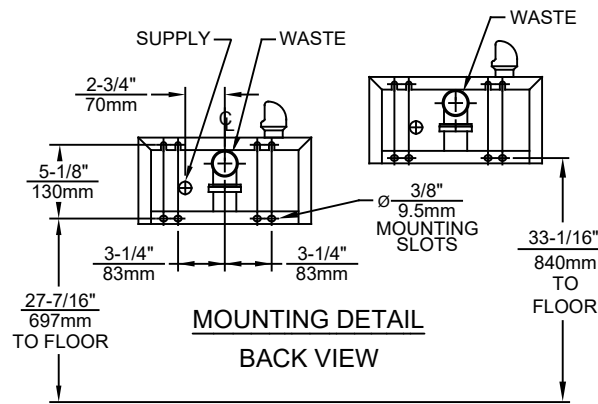
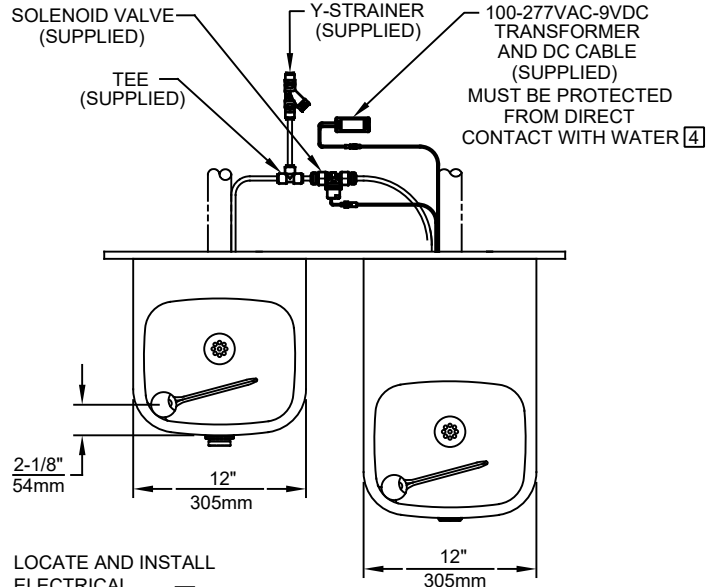


1119HO2 SHOWN
1119HO ON SHEET 1

PARTS BREAKDOWN

WHEN ORDERING PARTS PLEASE SPECIFY MODEL NUMBER.

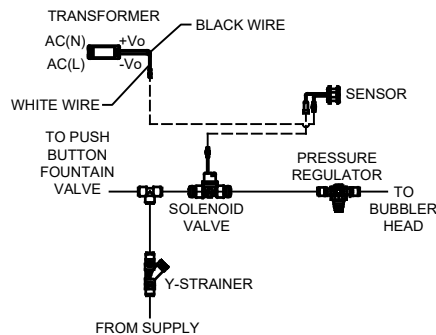
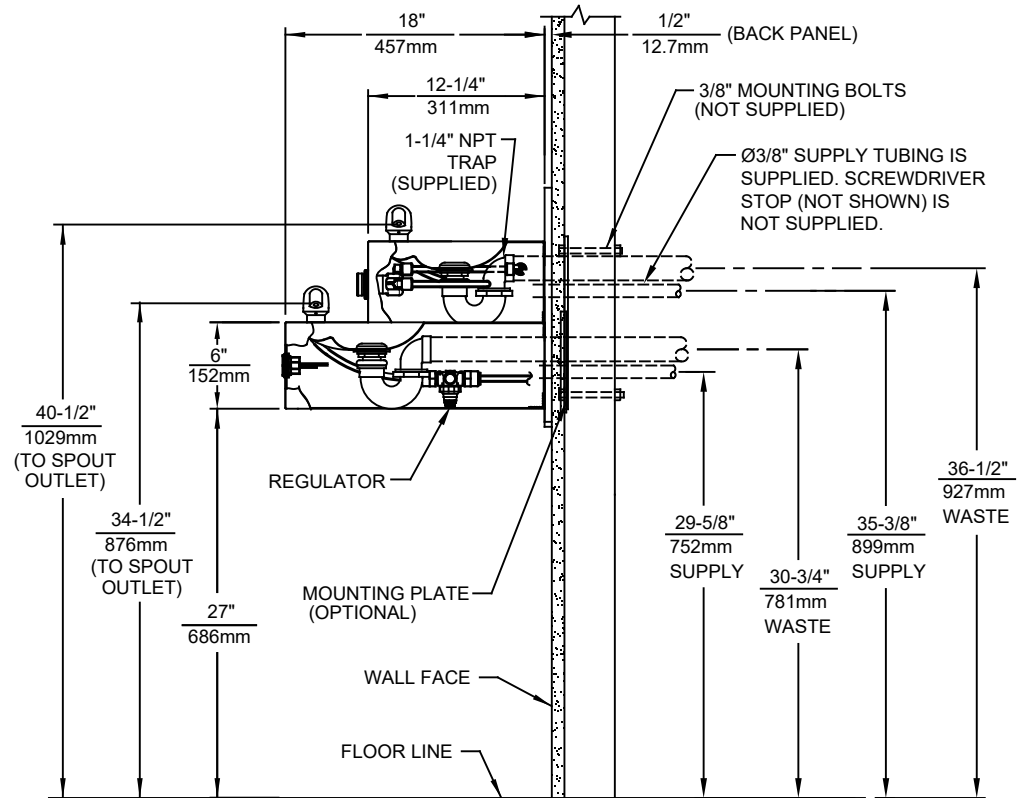
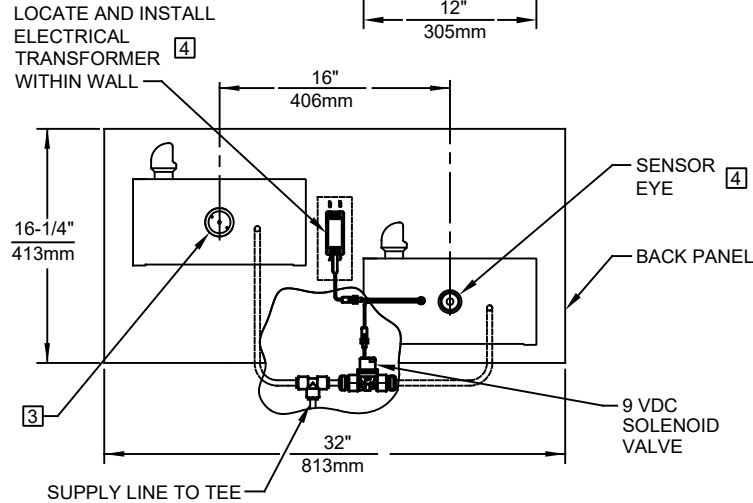
		Haws [®]		1455 KLEPPE LANE SPARKS, NEVADA 89431 (775) 359-4712 FAX (775) 359-7424 E-MAIL: HAWS@HAWS.CO.COM WEBSITE: WWW.HAWS.CO.COM	
				ECN NO. 5605 ECN: 5684	REVISED PER DP DATE 10/23/20 BY FV CHKD FV
APPROVED BJM	DATE 04/28/21	SCALE: 1:4	DRAWING TYPE: PARTS BREAKDOWN	SIZE: A	SHEET 2 OF 2



NOTES:

1. HOLD ROUGH-IN DIMENSIONS $\pm 1/4"$ (6.4mm).
2. WHEN INSTALLING THIS UNIT, LOCAL, STATE, OR FEDERAL CODES SHOULD BE ADHERED TO. FOR INSTALLATION HEIGHTS OTHER THAN SHOWN, DIMENSIONS MARKED (*) MUST BE ADJUSTED ACCORDINGLY.
- 3 REFER TO 5874 SERIES/VRK5874 OPERATION AND MAINTENANCE MANUAL FOR PUSH BUTTON AND VALVE INSTALLATION AND MAINTENANCE INSTRUCTIONS.
- 4 REFER TO 1RKHO OR 2RKHO SERIES OPERATION INSTRUCTONS FOR TRANSFORMER AND SENSOR SETUP.

MODEL 1119HO SHOWN
 MODEL 1119HO2 ON SHEET 2
 (ROUGH-IN DIMENSIONS APPLY TO BOTH MODELS)

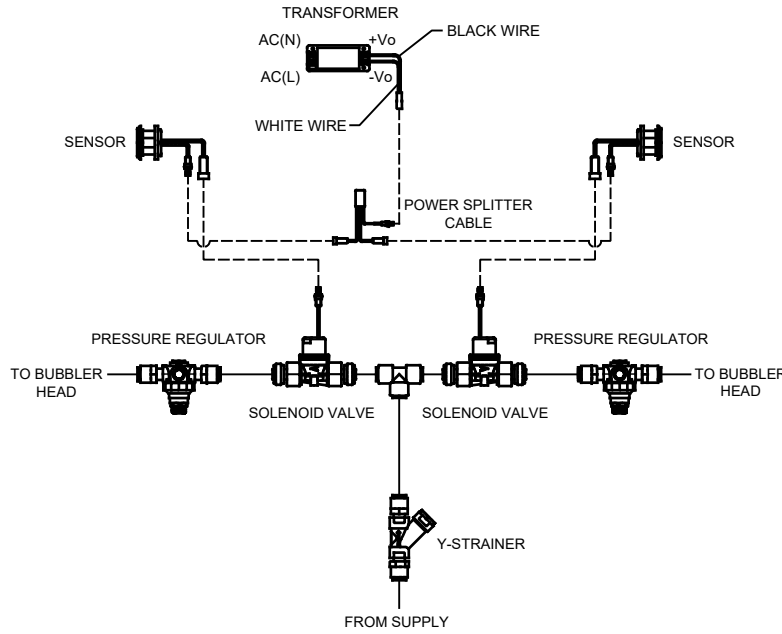
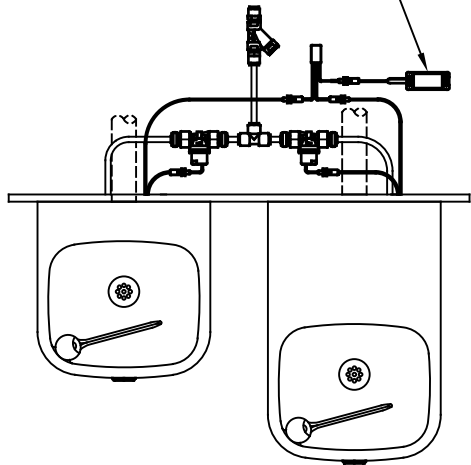


**SENSOR WIRING / SUPPLY
 PLUMBING SCHEMATIC**

1455 KLEPPE LANE
 SPARKS, NEVADA 89431
 (775) 359-4712 FAX (775) 359-7424
 E-MAIL: HAWS@HAWS.CO.COM
 WEBSITE: WWW.HAWS.CO.COM

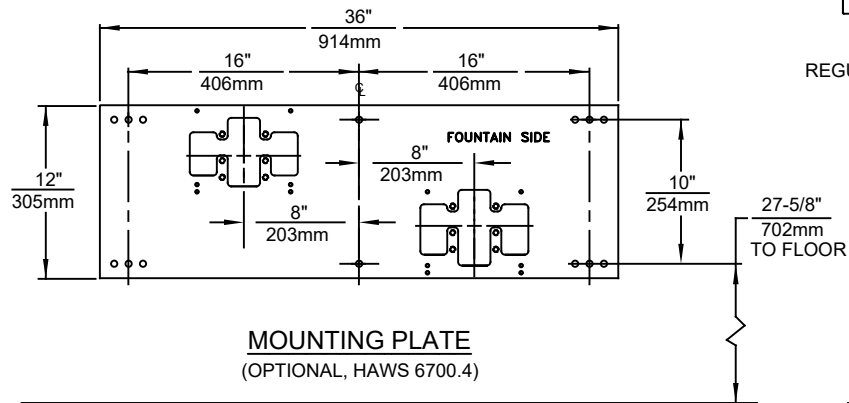
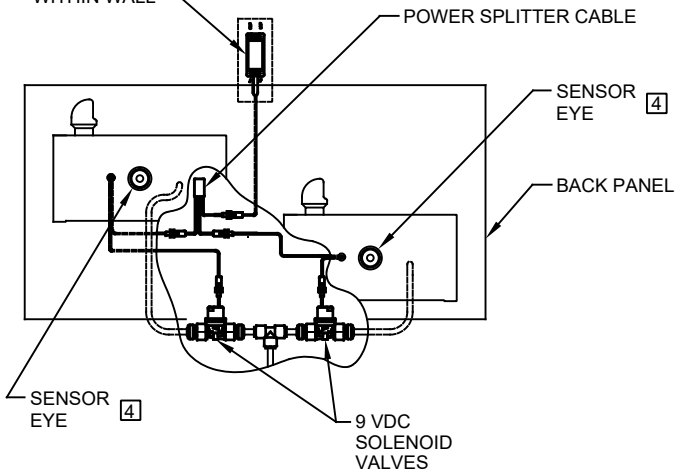
ECN NO. 5605	REVISED PER BY: ECN: 5684 DP	MODEL(S)	PART NUMBER
DRAWN: FV	DATE: 10/23/20	CHK'D: FV	0510001123.D
APPROVED: BJM	DATE: 04/28/21	SCALE: 1:14	REVISION 2
DRAWING TYPE: INSTALLATION		SIZE: A	SHEET 1 OF 2

100-277VAC-9VDC
TRANSFORMER
AND DC SPLITTER CABLE
(SUPPLIED)
MUST BE PROTECTED
FROM DIRECT
CONTACT WITH WATER [4]

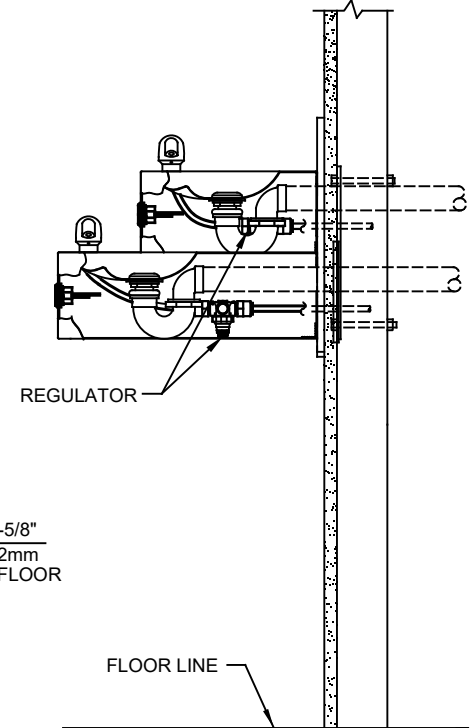


SENSOR WIRING / SUPPLY PLUMBING SCHEMATIC

LOCATE AND INSTALL
ELECTRICAL
TRANSFORMER
WITHIN WALL [4]



MOUNTING PLATE
(OPTIONAL, HAWS 6700.4)



MODEL 1119HO2 SHOWN
MODEL 1119HO ON SHEET 1
(SEE SHEET 1 FOR APPLICABLE ROUGH-IN DIMENSIONS)



1455 KLEPPE LANE
SPARKS, NEVADA 89431
(775) 359-4712 FAX (775) 359-7424
E-MAIL: HAWS@HAWSCO.COM
WEBSITE: WWW.HAWSCO.COM

ECN NO. 5605	REVISED PER ECN: 5684	BY: DP	MODEL(S)	PART NUMBER
DRAWN: FV	DATE: 10/23/20	CHK'D: FV	1119HO/1119HO2	0510001123.D
APPROVED: BJM	DATE: 04/28/21	SCALE: 1:14	DRAWING TYPE: INSTALLATION	REVISION 2
			SIZE: A	SHEET 2 OF 2