



# Haws®

# model 1117LN-1920

ADA Low Profile Vandal-Resistant Dual Fountain and Bottle Filler

## FEATURES & BENEFITS

### ADA COMPLIANCE

ADA-compliant bottle filling station and dual-height high low drinking fountain required for wheel chair use, and for the standing person.

### CONSTRUCTION

One-piece drinking fountains with low-profile design made of 14 gauge Type 304 stainless steel with 1/4" (.6 cm) thick stainless back plates welded in, and vandal-resistant stainless bottom plates

### FOUNTAIN VALVES

The push-button activated valves have all stainless steel bodies, with chrome plated brass push button assemblies which allow for front access to water stream adjustment, water control cartridge, and water supply strainer replacement without having to go through the bottom Plate. Operating pressure range of 30 to 90 psi (2.1 to 6.2 bar)

### BOTTLE FILLER

Vandal-resistant, 14-gauge Type 304 stainless steel bottle filler housing with push button operation and 1 gpm (3.78 L) laminar flow.

### BUBBLER HEADS

Polished chrome-plated brass bubbler head with integral 11/16" dia. basin shank and stainless anti-rotation roll pin for vandal resistance strength. Shielded, angled stream opening provides a steady, sanitary source of drinking water at .45 gpm.

### INTEGRATED TRAP

All cast brass 1-1/4" NPT adjustable traps completely concealed inside bottom plates for easy installation and lack of unwanted access.

### VANDAL-RESISANT

The bubbler heads, push buttons, drain strainers and bottom plates are locked in place, discouraging unwanted vandal tampering.

## OPTIONS

Mounting Plate: Model 6700, in-wall mounting plate for model 1920.

Mounting Plate: Model 6700.4, in-wall mounting plate for model 1117LN.

Mounting Plate: Model 6700R, on-wall mounting plate for model 1920.

Support Frame: Model 6800 In-wall floor mounted fixture support legs, welded steel 4-bolt floor flanges, and supplied with 'U' bolts and hardware.



## REQUIRED MODELS

### 1117LN / 1920 / BP32

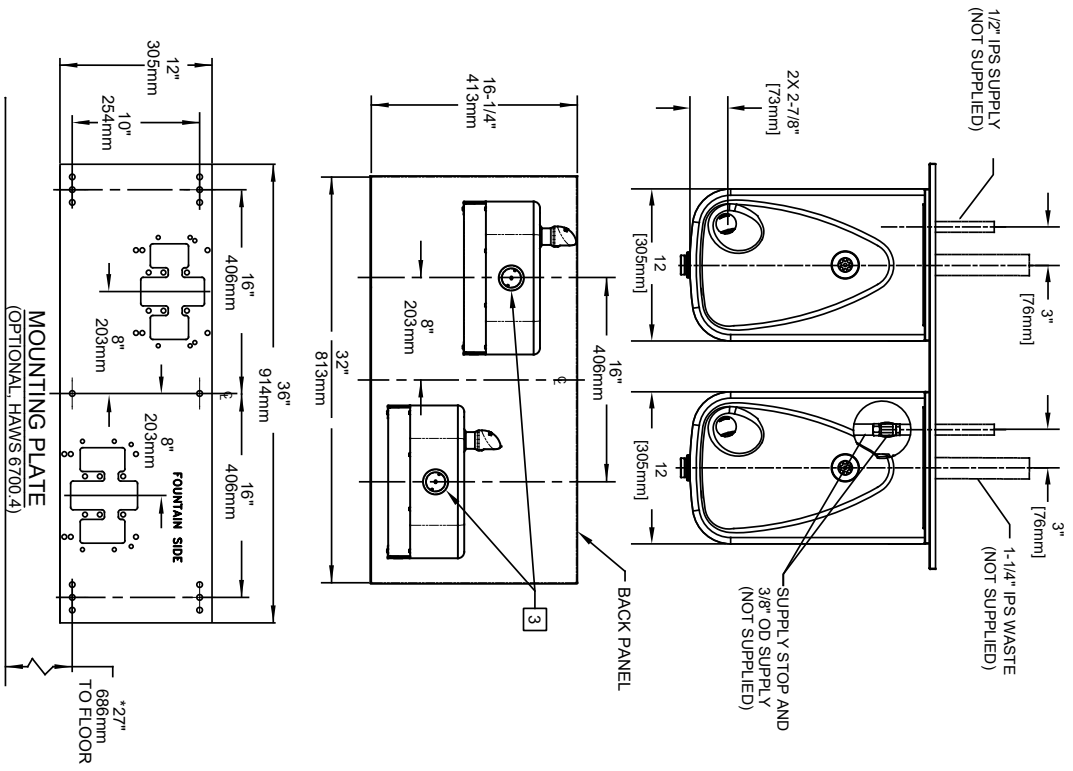
Order these items to make up the Model 1117LN-1920 dual fountain, stainless steel bottle filler and stainless steel back panels shown above.

## SPECIFICATIONS

Model 1117LN-1920 low profile wall mounted vandal-resistant ADA drinking fountain and bottle filler shall include dual 14 gauge Type 304 Stainless Steel satin finish basins with integral 1/4" (.6 cm) thick stainless steel back plates, vandal-resistant push button operated stainless steel valves with front accessible cartridge, in-line strainer and flow adjustment provide 100% lead free waterways, polished chrome plated brass vandal-resistant bubbler heads, 1 gpm (3.78 L) laminar flow bottle filler, polished chrome-plated brass vandal-resistant waste strainers, vandal-resistant bottom plates, stainless steel satin finish back panels, and 1-1/4" NPT concealed all cast-brass traps. The patented design allows the unit to be mounted to meet ADA or Child ADA specifications. Manufactured to be lead-free by all known definitions including NSF/ ANSI/CAN 61-Section 9, NSF/ANSI/ CAN 372, California Proposition 65, and the Federal Safe Drinking Water Act. Product is compliant to California Health and Safety Code 116875 (AB 1953-2006), and NSF/ ANSI/CAN 61: Q ≤ 1.

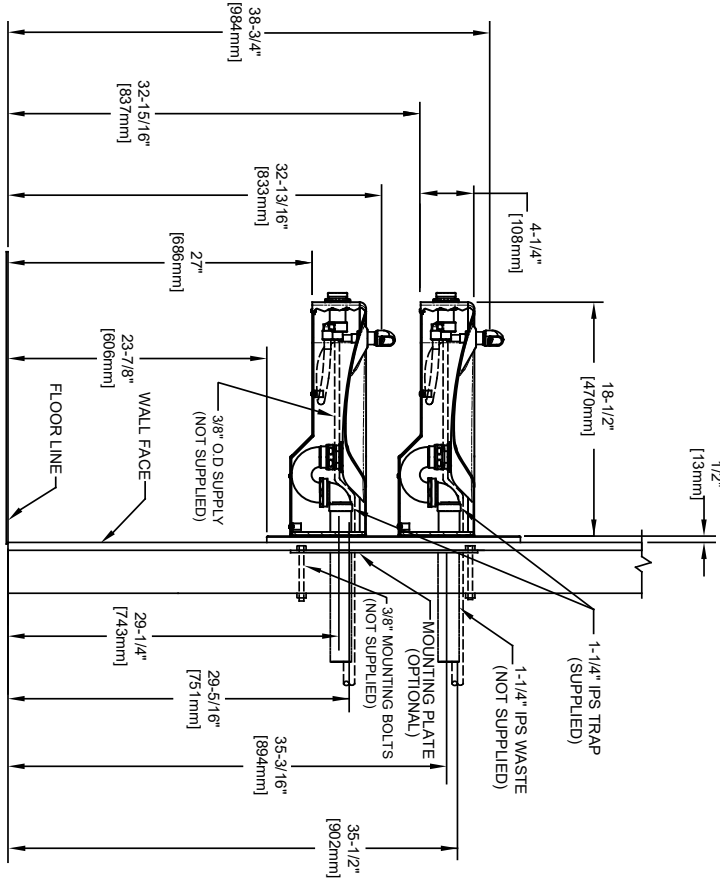
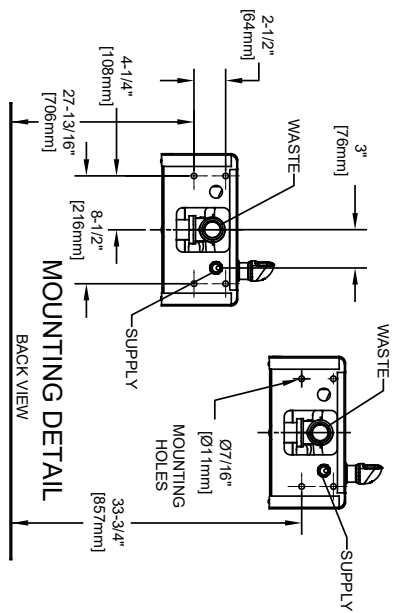


THIS DOCUMENT IS TRUE AND CORRECT AT TIME OF PUBLICATION. CONTINUED PRODUCT IMPROVEMENTS MAKE SPECIFICATIONS AND MEASUREMENTS SUBJECT TO CHANGE WITHOUT NOTICE.



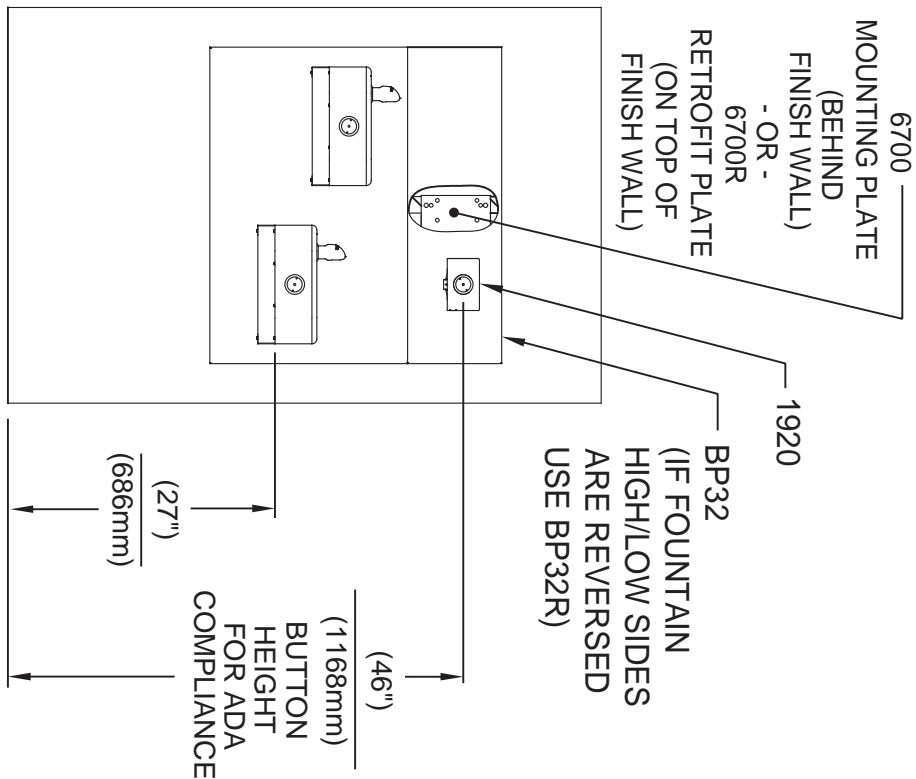
**NOTES:**

1. HOLD ROUGH-IN DIMENSIONS ± 1/8" (3.2mm).
2. WHEN INSTALLING THIS UNIT, LOCAL, STATE, OR FEDERAL CODES SHOULD BE ADHERED TO. FOR INSTALLATION HEIGHTS OTHER THAN SHOWN, DIMENSIONS MARKED (\*) MUST BE ADJUSTED ACCORDINGLY.
3. REFER TO 5874SS/VKRS874 OPERATION AND MAINTENANCE MANUAL FOR PUSH BUTTON AND VALVE INSTALLATION/MAINTENANCE INSTRUCTIONS.



1455 KLEPPLE LANE  
SPARKS, NEVADA 89431  
(775) 359-4712 FAX (775) 359-7424  
E-MAIL: HAWS@HAWS.CO.COM  
WEBSITE: WWW.HAWS.CO.COM

ENGINEERED BY	DATE	SCALE	DRAWING TYPE	INSTALLATION
REVISED BY	DATE	1:4		
DATE	DATE			
GC	GC			
APPROVED	DATE			
FV	11/29/17			
MODEL(S)	1117LN			
PART NUMBER	0580000675.D			
REVISION	2			

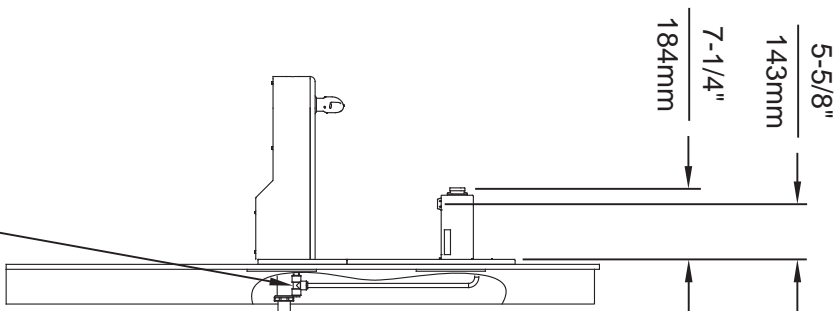
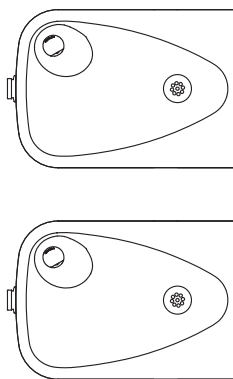


INSTALLATION ABOVE HAWES 1117L, H1117.8, 1117LN



\* IF YOUR FOUNTAIN IS THIS STYLE USE THESE DIMENSIONS

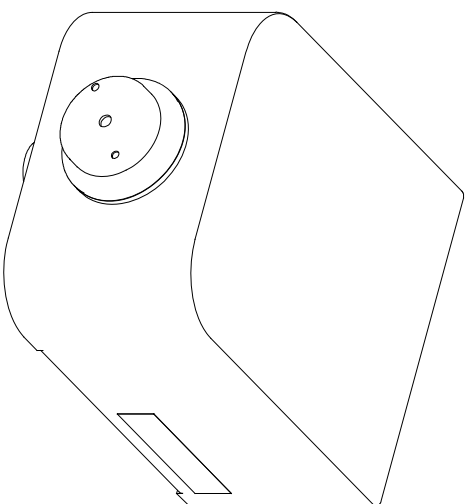
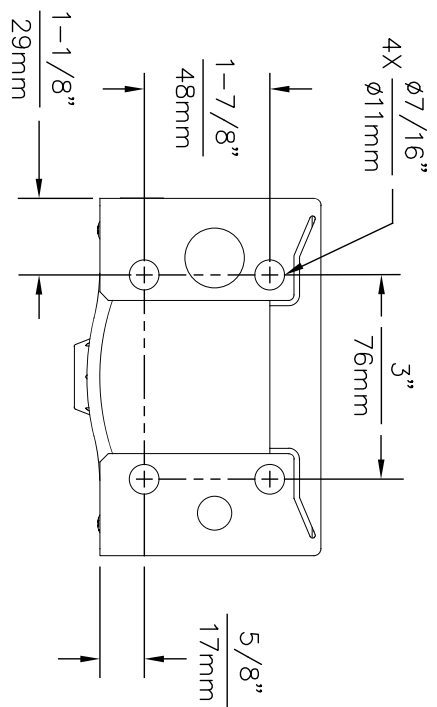
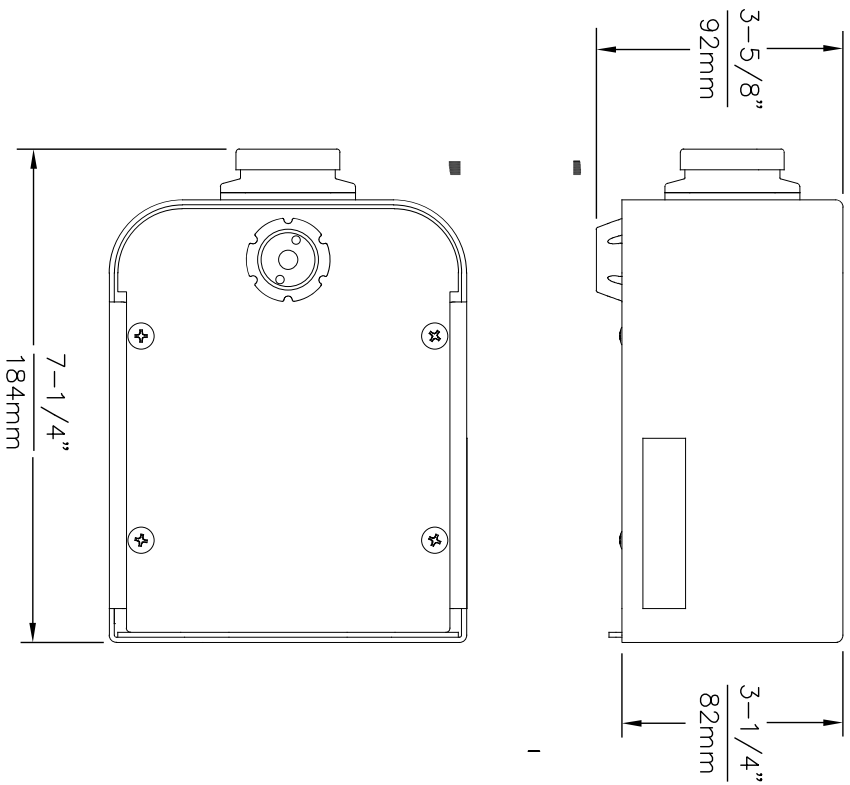
1. SEE SEPARATE INSTALLATION DRAWINGS FOR MOUNTING PLATES AND BACKPANELS
2. WHEN INSTALLING THIS UNIT, LOCAL, STATE OR FEDERAL CODES SHOULD BE ADHERED TO FOR INSTALLATION LOCATIONS, WASTE & SUPPLY REQUIREMENTS OTHER THAN SHOWN.



3/8" O.D. SUPPLY TUBING AND 3/8" O.D. PUSH-IN TEE SUPPLIED. (CONNECT TO FOUNTAIN SUPPLY LINE)

		<b>Haws</b>	
EQU NO. REVISED PER BY:	MODEL(S)	1920	
DRAWN DATE:	SCALE: N/A	DRAWING TYPE: INSTALLATION	SHEET 4 OF 6
APPROVED: F.V.	DATE: 05/14/20		
1455 KLEPPE LANE SPARKS, NEVADA 89431 (775) 359-4712 FAX (775) 359-7424 E-MAIL: HAWES@HAWESCO.COM WEBSITE: WWW.HAWESCO.COM		PART NUMBER 0510000490.D REVISION 6	

THIS DOCUMENT IS TRUE AND CORRECT AT TIME OF PUBLICATION. CONTINUED PRODUCT IMPROVEMENTS MAKE SPECIFICATIONS AND MEASUREMENTS SUBJECT TO CHANGE WITHOUT NOTICE.

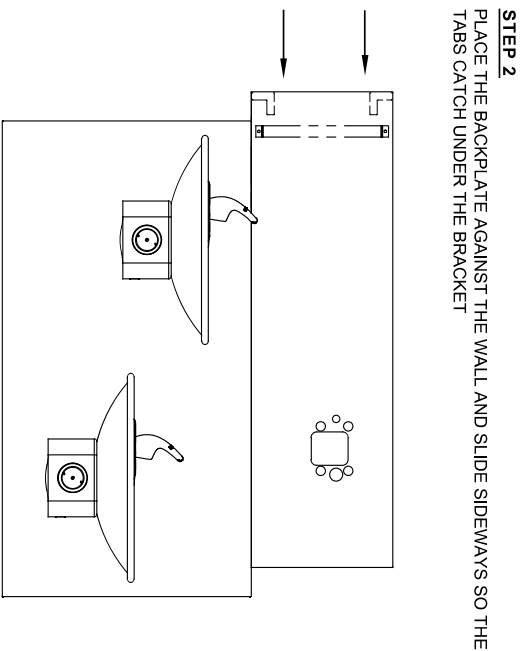
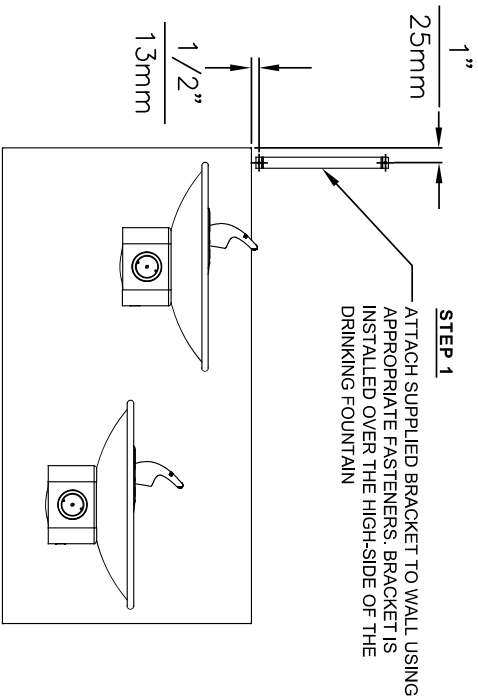


**NOTES:**

1. SEE SEPERATE INSTALLATION DRAWINGS FOR MOUNTING PLATES AND BACKPANELS
2. WHEN INSTALLING THIS UNIT, LOCAL, STATE OR FEDERAL CODES SHOULD BE ADHERED TO FOR INSTALLATION LOCATIONS, WASTE & SUPPLY REQUIREMENTS OTHER THAN SHOWN.

		<b>1455 KLEPPE LANE</b>	
		<b>SPARKS, NEVADA 89431</b>	
		<b>(775) 359-4712 FAX (775) 359-7424</b>	
		<b>E-MAIL: HAWS@HAWSCO.COM</b>	
		<b>WEBSITE: WWW.HAWSCO.COM</b>	
ENGINEER	REVISION	MODEL(S)	PART NUMBER
5081	01	MODEL(S)	0510000490.D
DRAWN	DATE	MODEL(S)	
US	10/26/18	MODEL(S)	
APP'D	BY	SCALE	INSTALLATION
TV	02/21/17	1/8"	1 OF 5

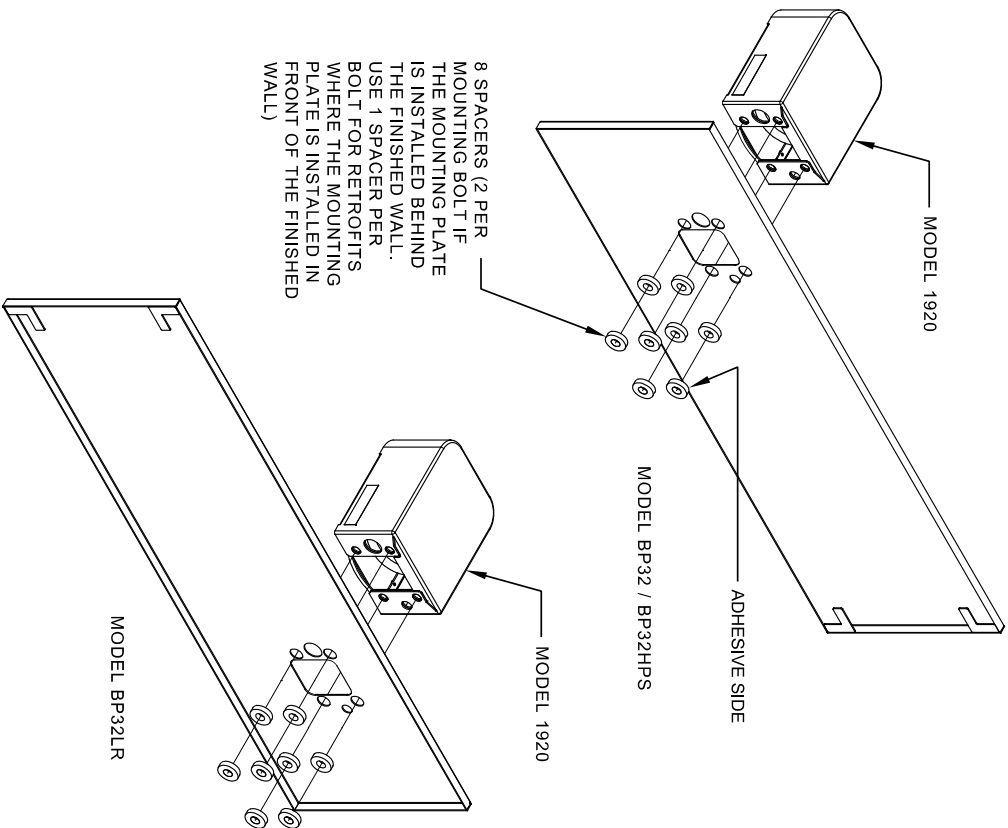
©2017 Haws Corporation - All Rights Reserved. HAWS® and other trademarks used in these materials are the exclusive property of Haws Corporation.



**STEP 3**  
INSTALL THE BOTTLE FILLER PER THE INSTRUCTIONS SUPPLIED WITH THE UNIT

- NOTES:  
1. WHEN INSTALLING THIS UNIT, LOCAL, STATE OR FEDERAL CODES SHOULD BE ADHERED TO.

©2017 Haws Corporation - All Rights Reserved. HAWS® and other trademarks used in these materials are the exclusive property of Haws Corporation.



## INSTALLATION OVER DOUBLE FOUNTAIN SHOWN FROM REAR

		<b>MODEL(S)</b>	
DRAWING, BACK PANEL SPACER INST. BF		PART NUMBER	
0510000493.D		REVISION 2	
1455 KLEPPE LANE SPARKS NEVADA 89431 (775) 358-4712 FAX (775) 358-7424 E-MAIL: HAWS@HAWSCO.COM WEBSITE: WWW.HAWSCO.COM		SCALE: 1:1 DRAWING TYPE: INSTALLATION SHEET 2 OF 2	
ENGINEER: R. PERBY	DATE: 02/27/17	SCALE: 1:1	DRAWING TYPE: INSTALLATION
DRAWN: M. M.	CHECKED: F.V.	SHEET 2 OF 2	